

Quick Start Guide

The NEO Series® libraries come preconfigured for easy setup. Follow these steps to install and connect them.

Unpacking

Carefully unpack and verify that you have all the parts:

- NEO 2000E or NEO 4000E tape library
- Rack rail kit
- NEO Accessory Kit, which includes:
 - Power cords and appropriate cables (depending on the configuration)
 - Rack template
 - NEO SERIES Documentation & Software CD
 - This quick start guide

NOTE: SCSI host cables are not supplied in the NEO2000E and 4000E product kits. These cables must be purchased separately.

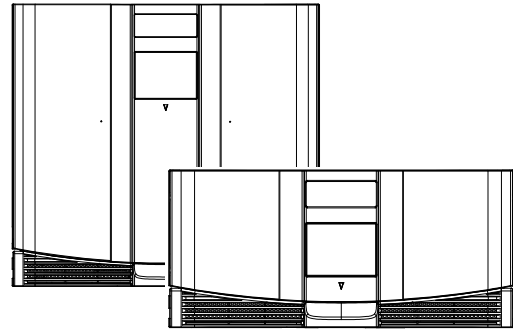


Figure 1. NEO 2000E and NEO 4000E

Electrostatic Discharge Information

A discharge of static electricity can damage micro-circuitry or static-sensitive devices. To help prevent Electrostatic Discharge (ESD), observe standard ESD precautions.

First Things First—Activate Your Warranty!

Before installing your new unit, it is essential that you activate your warranty. Technical and warranty support are not available until this is done:

1. Go to the **Overland Technical Support** web site at: <http://support.overlandstorage.com/>
2. At the MEMBER LOGIN (Figure 2), **log in** to the site.

NOTE: If you are not yet a member, click the *New member?* link and follow the instructions. It's free and easy!

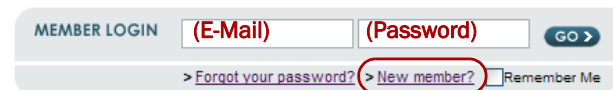


Figure 2. MEMBER LOGIN Section

3. At the Support Home page menu on the left, select **My Products > Add or Register a Product**.
4. Fill in the information and click **Submit**.

Installing the Tape Library in a Rack

Rail Kit Installation

You must first install the rail kit provided using the template from the Accessory Kit (see Figure 3).



WARNING: It is recommended that a mechanical lifter (or at least two people) be used to prevent injury during rack installation or removal. Also, use care to prevent tipping of the unit or rack.



CAUTION: Start at the bottom of a rack (or the top of the last-mounted component) to ensure rack stability.

NOTE: Do not remove the front-door packing materials until the library is in the rack.

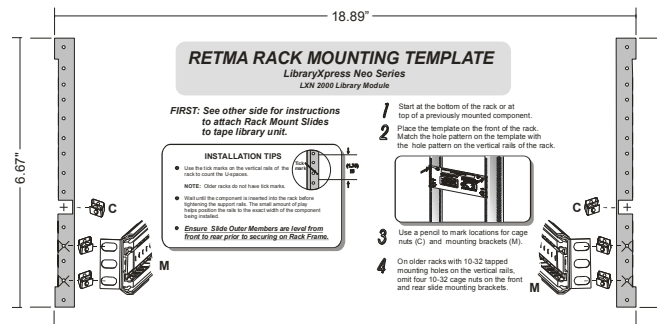


Figure 3. NEO 2000E Rack Mounting Template

1. Ensure you have adequate rack space available:
 - NEO 2000E requires 8.75 in. (22.25cm) (5U)
 - NEO 4000E requires 17.5 in. (44.50cm) (10U)

- Using the **template** (see [Figure 4](#)), mark the location of the mounting hardware on the RETMA rack rails:

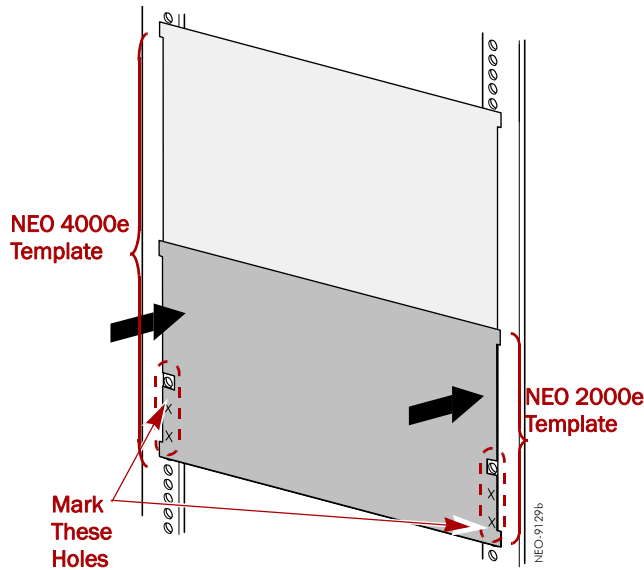


Figure 4. Using the NEO Templates

- Match up the **hole pattern** indicated on the sides of the template with the hole pattern in the rack.
 - Use the template to **mark** the six mounting holes.
 - Remove the **template**.
- Repeat [Step 2](#) at the **rear** using the four bottom holes.



CAUTION: Be sure rear holes are horizontally in line with the front holes so the unit remains level.

- Using four screws, loosely attach each pre-assembled rail set (see [Figure 5](#)):
 - Threaded-Hole Rack**—Position each rail with the brackets *outside* the vertical rack member and secure with the four screws to secure them.
 - Non-threaded-Hole Rack**—Install the four cage nuts on the *insides* of both vertical rack members, position each rail with the brackets *outside* the member, and install the four screws to secure them.

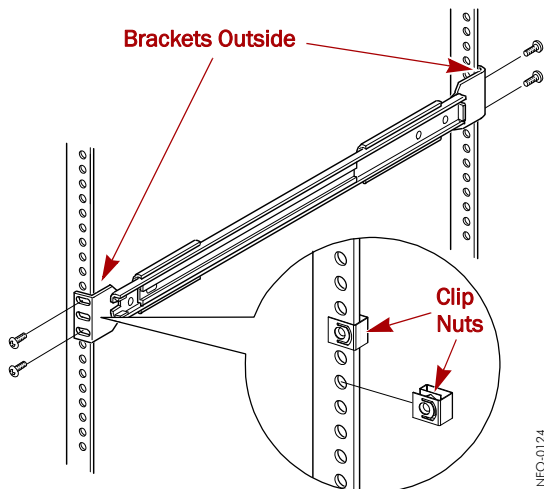


Figure 5. Installing Slide Member Fasteners

- Tighten the **screws** on both **rear** brackets.
- Slide out the **middle slide** members until they lock at the front of the rail assembly.

Library Installation

Use the following instructions to insert your library into a RETMA rack:

- Install the two **clip nuts** on each front rail at the marked spot (see [Figure 6](#)).

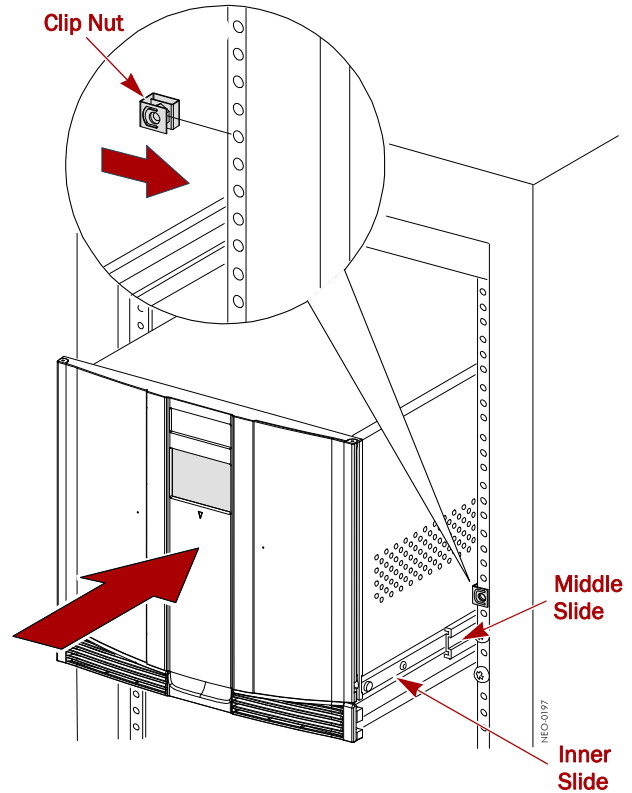


Figure 6. Installing The Library Module

- To reduce weight, we recommend removing the **drive assemblies**:
 - Loosen the captive **thumbscrews** at the top and bottom of the drive assembly.
 - Fully supporting the assembly, pull the handle to remove the **drive assembly**.
 - Place each drive assembly on an **ESD surface** on its side as not to bend the tabs.
- Using a mechanical lift, **raise the unit and align** the inner slides on the unit with the rack middle slides.
- With the middle slide **ball bearings** at the front detent position, fully insert the inner slides.
- Slide the library completely into the rack until the **front panel** touches the rack.
- Remove and discard the **tape and packing materials** from the doors, leaving them **open**.

7. Using the two captive **retaining screws**, attach the unit to the rack (Figure 7).

8. If removed, re-insert the **power supplies and drives** into the rear of the chassis.
9. Tighten all the **front rail screws**.

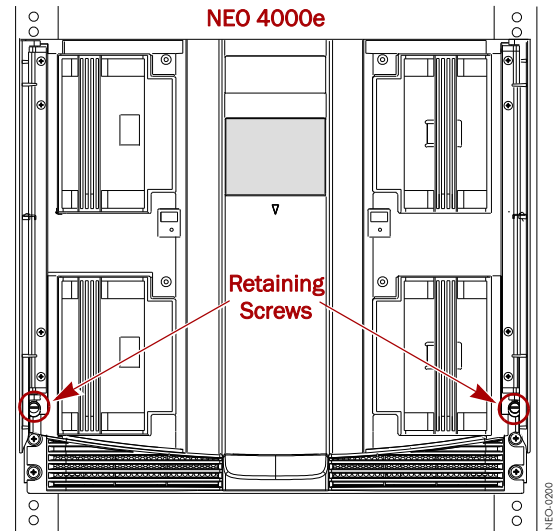
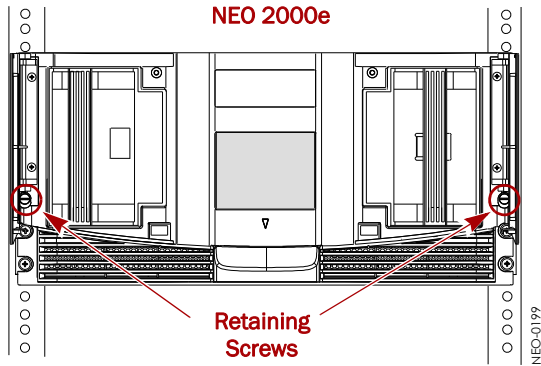


Figure 7. Library Retaining Screws

Cabling Examples

The following shows some common cabling configurations.

IMPORTANT: For more cabling options, refer to the *NEO 2000E/4000E User Guide* found on the enclosed Documentation & Software CD or contact Overland Support.

Management Port Cable Requirement

To meet Class A EMC requirements, a **shielded** Ethernet cable must always be used for the management port connection.

SCSI: Two Drives, Two Hosts

Figure 8 shows a typical SCSI cable configuration for a library with two tape drives connected to two different bus adapters or hosts.

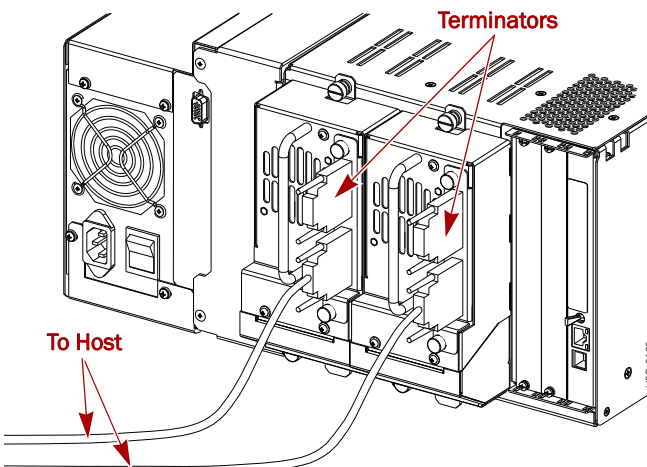


Figure 8. Two Tape Drives, Dual Hosts (2000E)

NOTE: To maximize drive performance, it is recommended that LTO-3, LTO-4, or newer drive types be on separate SCSI buses.

Fibre Connector: Two Drives on an FC Network

When using Fibre Channel drives on an FC network, slightly different cabling is required. In this example (Figure 9), the FC drives connect directly to an FC switch or Host Bus Adapter (HBA).

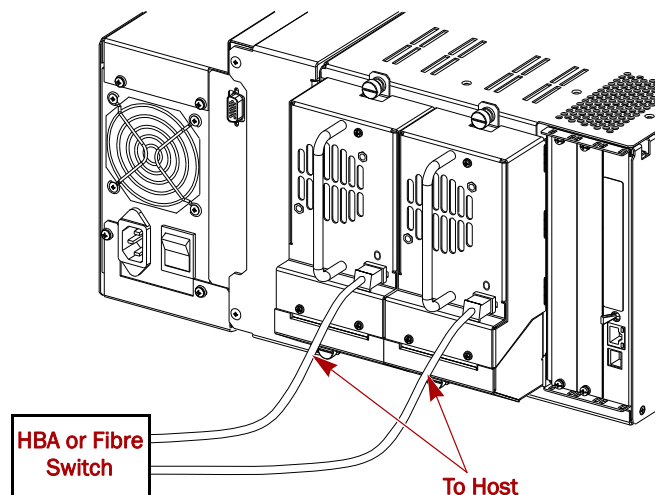


Figure 9. FC Drive Library on an FC Network (2000E)

SAS: Two Drives, One Host

SAS connections can be part of a multi-wire cable (Figure 10 and Figure 11) or each on a separate cable to the host.

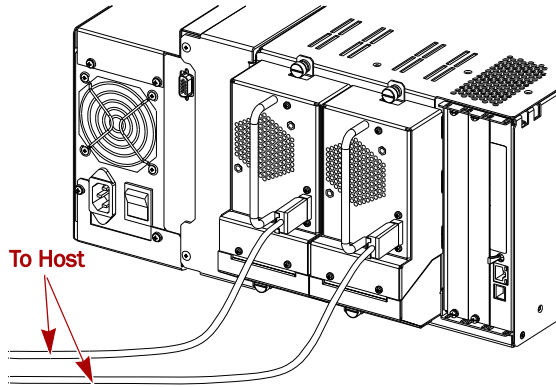


Figure 10. Typical SAS Configuration (2000E)

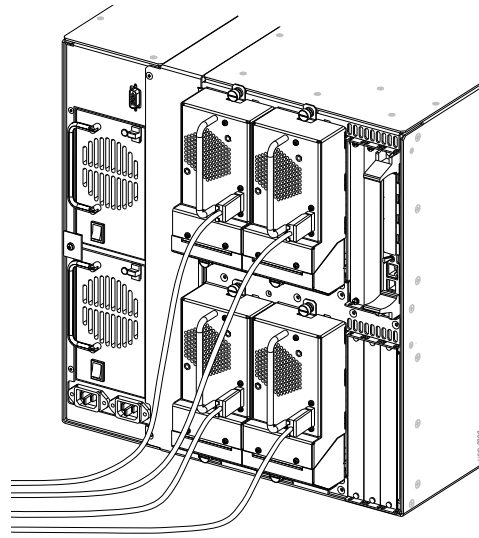


Figure 11. NEO 4000E with Four SAS Drives

Power Up the Library

1. Connect the supplied **power cords** to AC receptacles located on the back of the library module (Figure 12).
2. Toggle the power switches to the **ON** position (“|”).
3. Touch the **GUI touch screen** to activate the display and turn the library module ON.

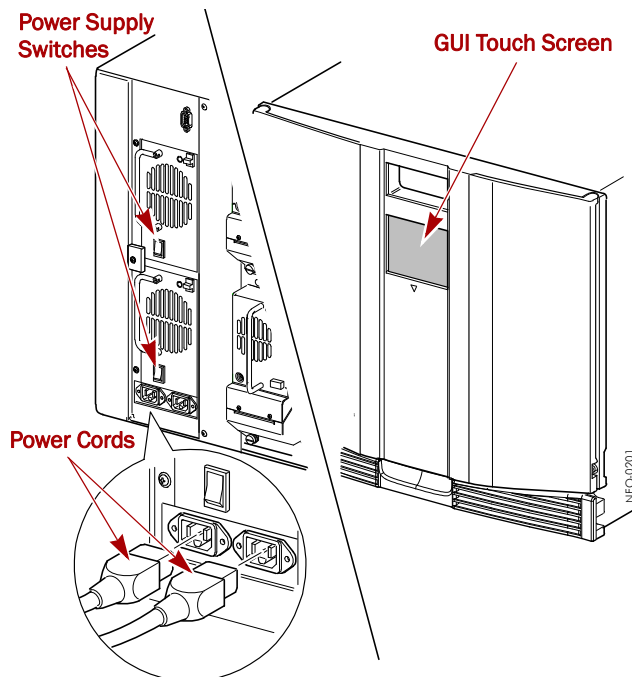


Figure 12. Powering Up a NEO 4000E

Changing the SCSI ID Number

NEO Series libraries work with the majority of backup applications without having to make changes to the default configuration. The tape drives include preconfigured SCSI IDs, where “Drive n = SCSI ID n .”

Depending on your network configuration, it may be necessary to change the unit’s SCSI IDs:

1. Press **Menu**, then under Edit Options, press **SCSI/FC**.
2. Press the **Position n , Drive 1 Bus ID** data field.
3. Using the keyboard display, press the new **SCSI ID number** (it can be any number from 0 to 15).
The selected number is displayed in the **New** field.
4. Press **Save**, and then press **OK** to confirm.
5. Repeat **Steps 1–4** for the **other drives**.
6. When done, press **Back** twice to return to the default screen.

Warranty Information

To view the warranty that comes with this product, visit:
<http://www.overlandstorage.com/support/warranty.pdf>.

Additional Help

You can get additional technical support on the Internet at <http://support.overlandstorage.com>, or call 1-877-654-3429 (toll-free U.S. & Canada), +44 (0) 118-9898050 (Europe), or +1 (858) 571-5555 Option 5 (International).