





NEOxl 80 6U Tape Library

Administrator's Guide



©2022 Overland-Tandberg. All rights reserved.

NEO®, NEO Series®, Overland®, Overland Storage®, Overland-Tandberg™, Overland Technologies™, PowerLoader®, VR2®, and  are trademarks of Overland Storage, Inc., dba Overland-Tandberg.

AccuGuard®, AccuVault®, BizNAS™, QuadPak®, QuikStation®, QuikStor®, RDX®, ™, ™, RDXPRESS™, RDXPRO™, ™, RDX+™, StorageLoader®, **StorageLoader**™, SupportSuite®, Tandberg™, **TANDBERG DATA** ™, **TANDBERG DATA STORAGELOADER**™, Tandberg SecureService®, and Tandberg StorageLibrary® are trademarks of Tandberg Data Holdings S.a.r.l., a subsidiary of Overland Storage, Inc., dba Overland-Tandberg.

All other brand names or trademarks are the property of their respective owners.

The names of companies and individuals used in examples are fictitious and intended to illustrate the use of the software. Any resemblance to actual companies or individuals, whether past or present, is coincidental.

PROPRIETARY NOTICE

The information contained in this document is subject to change without notice.

All information contained in or disclosed by this document is considered proprietary by Overland-Tandberg. By accepting this material the recipient agrees that this material and the information contained therein are held in confidence and in trust and will not be used, reproduced in whole or in part, nor its contents revealed to others, except to meet the purpose for which it was delivered. It is understood that no right is conveyed to reproduce or have reproduced any item herein disclosed without express permission from Overland-Tandberg.

Overland-Tandberg provides this manual as is, without warranty of any kind, either expressed or implied, including, but not limited to, the implied warranties of merchantability and fitness for a particular purpose. Overland-Tandberg may make improvements or changes in the product(s) or programs described in this manual at any time. These changes will be incorporated in new editions of this publication.

Overland-Tandberg assumes no responsibility for the accuracy, completeness, sufficiency, or usefulness of this manual, nor for any problem that might arise from the use of the information in this manual.

FW 3.00

Overland-Tandberg
4542 Ruffner Street, Suite 250
San Diego, CA 92111 USA

TEL 1.800.729.8725 (toll free)
1.858.571.5555
FAX 1.858.571.3664

Tandberg Data GmbH
Nikolaus-Groß-Straße 13
44329 Dortmund, Germany

TEL +49 231 5436 0
FAX +49 231 5436 111



www.overlandtandberg.com



Preface

Topics in Preface

- [Audience and Purpose](#)
- [General Warnings](#)
- [Product Warranty Cautions](#)
- [Conventions](#)
- [Regulatory Information](#)
- [Product Documentation](#)
- [Firmware Updates](#)
- [Technical Support](#)

Audience and Purpose

This guide is intended for system and network administrators charged with installing and maintaining a NEOxl 80 6U Tape Library. It provides information on the installation, configuration, operation, service, and maintenance of the library. Administrators should be familiar with the basic concepts and tasks of network administration.

Warnings

- Only trained personnel should operate this equipment.
- Read all documentation and procedures before installation or operation.
- The tape library must only be installed in a Restricted Area.
- Only personnel with technical and product-safety training should be provided access to the library.
- For safety reasons, the default administrator PIN for the Operator Control Panel needs to be changed during initial configuration.
- Hazardous moving parts exist inside this product. Do not insert tools or any parts of your body into the interior of the library while the mail slot or magazine is pulled out.
- Do not insert any tools or any parts of your body into drive bay openings or any other openings of an operating system.

Avertissement

- Cet équipement ne doit être utilisé que par un personnel formé.
- Lisez la totalité de la documentation et des procédures avant toute installation ou utilisation.
- Ce produit est conçu pour être installé et utilisé dans un local approprié.
- Seul un personnel avec la formation technique et de sécurité des produits devrait avoir accès à la bibliothèque.

- Pour des raisons de sécurité, le code PIN administrateur par défaut doit être changé au moment de la configuration initiale.
- Des pièces mobiles dangereuses se trouvent à l'intérieur de ce produit. Ne pas insérer d'outils ou de parties de votre corps à l'intérieur de la bibliothèque pendant que le slot import/ export ou un tiroir est sorti.
- N'insérez pas d'outils ni partie du corps dans les ouvertures de la robotique lorsque le système est en marche.

Note

- Ventilation – Place the product in a location that does not interfere with proper ventilation.
- Heat – Place the product in a location away from heat sources.
- Power sources – Connect the product to a power source only of the type directed in the operating instructions or as marked on the product.
- Power cord protection – Place the AC line cord so that it is not possible to be walked on or pinched by items placed upon or against it.
- Object and liquid entry – Insure that objects do not fall onto and that liquids are not spilled into the product's enclosure.

Remarque

- Ventilation – Placez le produit dans un endroit qui n'interfère pas avec une ventilation appropriée.
- Chaleur – Placez le produit dans un endroit loin de sources de chaleur.
- Alimentation électrique – Veuillez ne brancher le produit qu'à une source d'alimentation correspondant aux instructions figurant dans le mode d'emploi ou comme directement indiqué sur le produit.
- Protection du cordon d'alimentation – Placez le cordon d'alimentation principal de sorte qu'il ne soit pas possible de marcher dessus ou d'être écrasé par des objets placés sur ou contre.
- Pénétration d'objets et de liquide – Assurez-vous que des objets ne tombent pas sur le châssis et que des liquides ne soient pas déversés dans le châssis.

General Warnings



DANGER

High voltage – Risk of electric shock

- Do not remove power supply covers. No user-serviceable parts are inside unless specifically identified.
- Refer servicing to qualified service personnel.

Tension élevée – Risque de choc électrique

- Ne pas retirer le couvercle de l'alimentation. Aucune pièce réparable par l'utilisateur ne se trouve à l'intérieur à moins que celle-ci ne soit spécifiquement identifiée.
- Confier toute réparation à un personnel qualifié.



**MECHANICAL
HAZARD**

Danger – Risk of hand pinching, can trap hands, fingers and cause serious injury. Keep hands clear during operation.



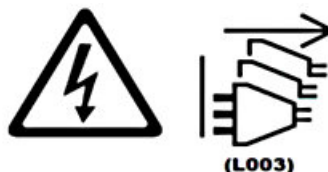
**DANGER
MÉCANIQUE**

Danger – Risque de se coincer la main et de se coincer les mains ainsi que les doigts le tout pouvant entrainer de graves blessures. Gardez les mains à l'écart pendant le fonctionnement.

Achtung:
Vor Öffnen des Gerätes
alle Netzstecker ziehen!

Attention:
Remove all power cords
before opening the unit!

Attention:
Débranchez toutes les fiches d'alimentation avant d'ouvrir l'équipement!



Electrostatic Discharge

To prevent damaging the system, be aware of the precautions you need to follow when setting up the system or handling parts. A discharge of static electricity from a finger or other conductor may damage system boards or other static-sensitive devices. This type of damage may reduce the life expectancy of the device.

Preventing Electrostatic Damage. To prevent electrostatic damage, observe the following precautions:

- Avoid hand contact by transporting and storing products in static-safe containers.
- Keep electrostatic-sensitive parts in their containers until they arrive at static-free workstations.
- Place parts on a grounded surface before removing them from their containers.
- Avoid touching pins, leads, or circuitry.
- Always be properly grounded when touching a static-sensitive component or assembly. See the next section.

Grounding Methods. There are several methods for grounding. Use one or more of the following methods when handling or installing electrostatic-sensitive parts:

- Use a wrist strap connected by a ground cord to a grounded workstation or computer chassis. Wrist straps are flexible straps with a minimum of 1 megohm (± 10 percent) resistance in the ground cords. To provide proper ground, wear the strap snug against the skin.
- Use heel straps, toe straps, or boot straps at standing workstations. Wear the straps on both feet when standing on conductive floors or dissipating floor mats.
- Use conductive field service tools.
- Use a portable field service kit with a folding static-dissipating work mat.

If you do not have any of the suggested equipment for proper grounding, have an authorized reseller install the part. For more information on static electricity, or assistance with product installation, contact your authorized reseller.

Product Warranty Cautions

The customer should only perform the service and repair actions on the tape library components as described in this document. Any other actions needed should only be performed by an authorized service center.

The warranty for the tape library shall not apply to failures of any unit when:




- The tape library is repaired or modified by anyone other than the manufacturer's personnel or approved agent.
- The tape library is physically abused or used in a manner that is inconsistent with the operating instructions or product specification defined by the manufacturer.
- The tape library fails because of accident, misuse, abuse, neglect, mishandling, misapplication, alteration, faulty installation, modification, or service by anyone other than the factory service center or its approved agent.
- The tape library is repaired by anyone, including an approved agent, in a manner that is contrary to the maintenance or installation instructions supplied by the manufacturer.
- The manufacturer's serial number tag is removed.
- The tape library is damaged because of improper packaging on return.

Warranty becomes immediately void in the event of unauthorized repairs or modifications.

Conventions

This document exercises several alerts and typographical conventions.

Alerts

Convention	Description & Usage
NOTE: Text	A Note indicates neutral or positive information that emphasizes or supplements important points of the main text. A note supplies information that may apply only in special cases, for example, memory limitations or details that apply to specific program versions.
 IMPORTANT	An Important note is a type of note that provides information essential to the completion of a task or that can impact the product and its function.
 CAUTION	A Caution contains information that the user needs to know to avoid damaging or permanently deleting data or causing physical damage to the hardware or system.
 WARNING WARNUNG	A Warning contains information concerning personal safety. Failure to follow directions in the warning could result in bodily harm or death. Eine <i>Warnung</i> enthält Informationen zur persönlichen Sicherheit. Das Nichtbeachten der Anweisungen in der Warnung kann zu Verletzungen oder zum Tod führen.
AVERTISSEMENT	Un Canadien avertissement comme celui-ci contient des informations relatives à la sécurité personnelle. Ignorer les instructions dans l'avertissement peut entraîner des lésions corporelles ou la mort.

Typographical Conventions

Convention	Description & Usage
Button_name	Words in this special boldface font indicate command buttons found in the Remote Management Interface (RMI) or Operator Control Panel (OCP).
Ctrl-Alt-R	Denotes the keys that you press simultaneously. In this example, hold down the Ctrl and Alt keys and press the R key.
Menu Flow Indicator (>)	Words with a greater than sign between them indicate the flow of actions to accomplish a task. For example, Setup > Passwords > User indicates that you should press the Setup button, then the Password button, and finally the User button to accomplish a task.
<i>Courier Italic</i>	Used to exemplify a variable for which you must substitute a value.
Courier Bold	Represents commands or text in a command-line interface (CLI).

Information contained in this guide has been reviewed for accuracy, but not for product warranty because of the various environments, operating systems, or settings involved. Information and specifications may change without notice.

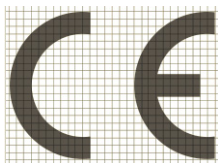
Regulatory Information

Disposal of Waste Equipment by Users in Private Households in the European Union and Norway



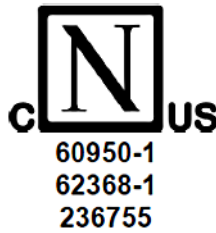
This symbol on the product or on its packaging indicates that this product must not be disposed of with your other household waste. Instead, it is your responsibility to dispose of your equipment by handling it over to a designated collection point for the recycling of waste electrical and electronic equipment. The separate collection and recycling of your waste equipment at this time of disposal will help to conserve natural resources and ensure that it is recycled in a manner that protects human health and the environment. For more information about where you can drop off your waste equipment for recycling, please contact your local city office, your household waste disposal service, or the shop where you purchased the product.

CE Mark



The CE mark is a mandatory conformity mark on many products placed on the single market in the European Economic Area (EEA). The CE marking certifies that a product has met EU consumer safety, health or environmental requirements.

NRTL Mark



FCC (United States)



The computer equipment described in this manual generates and uses radio frequency (RF) energy. If the equipment is not installed and operated in strict accordance with the manufacturer's instructions, interference to radio and television reception might result.

This equipment complies with Part 15 of the FCC Rules. Operation is subject to the following conditions: (1) This device may not cause harmful interference, and (2) this device must accept any interference received, including interference that may cause undesired operation.

Part 15, Class A, of the FCC Rules, is designed to provide reasonable protection against radio and television interference in a residential installation. Although the equipment has been tested and found to comply with the allowed RF emission limits, as specified in the above-cited Rules, there is no guarantee that interference will not occur in a particular installation. Interference can be determined by turning the equipment off and on while monitoring radio or television reception. The user may be able to eliminate any interference by implementing one or more of the following measures:

- Reorient the affected device and/or its receiving antenna.
- Increase the distance between the affected device and the computer equipment.
- Plug the computer and its peripherals into a different branch circuit from that used by the affected device.
- If necessary, consult an experienced radio/television technician for other suggestions.

Canadian Verification

This Class A digital apparatus meets all requirements of the Canadian Interference-Causing Equipment Regulations (ICES-003, Class A).

Product Documentation

NEO product documentation and additional literature are available online at the Overland-Tandberg Knowledge Base:

<https://www.overlandtandberg.com/knowledgebase/>

Refer to the *Tape Archive Solutions (NEO & LTO Drives)* section to access the information you need.

Firmware Updates

The latest release of the NEO XL-Series firmware can be obtained from the Downloads page at the Overland Storage website:

https://download.overlandtandberg.com/Firmware/Neo_Series/Neo-XL/

Follow the appropriate instructions to download the **latest** software file.

Technical Support

You can get additional technical support information on the Contact Us web page at:

<https://www.overlandtandberg.com/contact-us/>

For a complete list of support types, levels, and times, visit our website at:

<https://www.overlandtandberg.com/service-support/contact-service-support/>



Contents

Preface

Audience and Purpose	3
General Warnings	4
Product Warranty Cautions	6
Conventions	6
Regulatory Information	7
Product Documentation	8
Firmware Updates	9
Technical Support	9

Chapter 1: Overview

Supported Configurations	16
Rackmount Configurations	16
Supported Tape Drives	19
Base Module Front Panel	20
Module Rear Panels	20
Drive Sled Back Panels	21
Power Supply Rear Panel LEDs	22
Element Numbering	23
Supported Tape Cartridges	24
Read and Write Compatibility	24

Chapter 2: Installation

Plan the Installation	25
Location Requirements	25
Host Interface	26
Planning Module and Rack Layout	27
Internal IP Range Selection	27
Installation Precautions	28
Warnings:	28
Poids du produit:	28
Static Sensitive	29
Électricité statique	29
Moisture	29
Library Module Preparation	29
Components	29
Preparing Top and Bottom Modules	29
Rack Installation of Modules	30
Install the Rack Rails	31
Insert the Modules in the Rack	32
Aligning and Connecting Modules	32
Attach Library Cables	34

Chapter 3: Initial Setup

Powering On the Library	36
Initial Setup Using the OCP Wizard	37
Verifying the Host Connection	37
Loading Tape Cartridges	37
Labeling Tape Cartridges	37
Using the Mailslot to Load Tape Cartridges	38
Bulk Loading Magazines	38
LTO-9 Cartridge Initialization	38
Verifying the Installation	39
Configuring Additional Features	39
Enabling and Configuring SNMP Network Management	39
Email Event Notification	39
Modifying the Default Tape Drive Settings	39
Enabling the Mailslot	40
Configuring Partitioning	40

Chapter 4: Basic Library Operation

User Levels	41
OCP Library Operation	42
RMI Library Operation	42
Magazine Manual Release	43
Tape Cartridge Use and Maintenance	43
Labeling Tape Cartridges	44
Write Protecting Tape Cartridges	45

Chapter 5: Operator Control Panel

OCP Layout	46
OCP Home Page Element Details	47
NEOxI 80 OCP Menu	49
Log Into The Library (via OCP)	50
Change Settings Procedure	51
Configuration Menu	52
System	52
Mailslots	55
Drives	56
Network	57
User Accounts	58
Configuration Wizard	59
Maintenance Menu	59
Software Upgrades	60
View Logs	61
Download Logs	62
System Reboot	63
Library Test	63
UID LED Control	65
Move Robot to Base Module	65
Support Information	65
Operation Menu	66
Move Media	66

- Clean Drive67
- Open Mailslot67
- Open Magazine68
- Rescan68
- Force Drive Media Eject68
- Unlock Multiple Magazines69
- Status Menu69
 - Library Status70
 - Cartridge Inventory71
 - Partition Map73
 - Drive Status74
 - Network Status75
- Logout76

Chapter 6: Remote Management Interface

- RMI Layout78
- Home Page Element Details78
 - RMI Top Banner Elements78
 - RMI Left Pane Elements79
 - RMI Center Pane Elements80
 - RMI Right Pane Elements80
- RMI Configuration Options82
 - Initial Configuration Wizard82
 - System Configuration83
 - Network Configuration88
 - Network Management90
 - Drive Configuration94
 - Mailslots Configuration96
 - Partition Configuration96
 - Encryption Configuration100
 - User Accounts Configuration101
 - Web Management Configuration103
- RMI Maintenance Options104
 - Library Tests104
 - Logs and Traces109
 - Software Upgrades111
 - Download Drive Logs112
 - System Reboot114
 - Drive Reboot114
 - UID LED Control114
 - Move Robotic to Base Module115
 - Support Information115
- RMI Operation Options115
 - Move Media116
 - Open Mailslot117
 - Open a Magazine117
 - Clean a Tape Drive118
 - Rescan Cartridge Inventory118
 - Force a Drive to Eject a Cartridge119
- RMI Status Options119
 - Library (and Module) Status119

Cartridge Inventory	121
Partition Map	124
Drive Status	128
Network Status	129
Security Status	130

Chapter 7: Service and Upgrades

Identify a Failed Component	133
Install or Replace a Tape Drive	133
Remove a Tape Drive	133
Remove a Drive Bay Cover	134
Install a Tape Drive	135
Connect the Drive Cables	135
Verify the Installation	136
Replace a Power Supply	136
Identify the Failed Component	136
Prepare to Remove the Power Supply	137
Remove the Power Supplies	137
Install the New Power Supply	137
Verify the Power Supply Installation and Operation	137
Replace a Controller Board	138
Identify the Failed Component	138
Save the Configuration	138
Power Off the Library	138
Prepare to Remove the Controller	138
Remove the Controller	139
Install the Controller	139
Verify the Controller Installation	139
Power On the Library	140
Install or Replace a Drive Power Board	140
Identify the Failed Component	140
Power Off the Library	140
Remove the Library Chassis Fan and Drive Power Board	140
Install the New Drive Power Board	141
Power On the Library	141
Verify the Drive Power Board Installation	142
Adding an Expansion Module	142
Overview	142
Power Off the Library	142
Move a Cover to the New Module	143
Install the Module in the Rack	143
Align and Connect the Module	143
Verify the Installation and Configuration	143
Replace a Module (Base or Expansion)	143
Save the Configuration	144
Prepare Module for Removal	144
Remove Module from Rack	146
Move Covers and Components	147
Insert the Module in Rack	150
Complete the Installation	151
Verify the Library Configuration	153

Move a Tape Library	153
Replace the Robotic Assembly and Spooling Mechanism	154
Prepare Module for Removal	154
Remove Module from Rack	156
Remove Top Cover	157
Remove Old Robotic Assembly	158
Install the New Robotic Assembly	160
Reinstall the Cover	162
Reinsert the Module in Rack	162
Aligning and Connecting the Module	162
Complete the Reinstallation	163
Reinstall Tape Magazines	165
Verify the Library Configuration	165
Replace the Base Module Front Bezel/OCP	165
Power Off the Library	166
Remove the Tape Magazines	166
Remove the Bezel	167
Install the Bezel	167
Reinstall Tape Magazines	167
Power On the Library	167

Appendix A: Troubleshooting

Fibre Channel Connection Problems	168
Detection Problems After Installing a SAS Drive	169
Operational Problems	170
Power Problems	170
OCP Alerts and Errors	170
Tape Movement Problems	171
Media Problems	172
Attention LED is Lit	172
Inventory Problems	173
RMI Network Connection Problems	173
Cleaning Problems	174
Performance Problems	174
Average File Size	174
File Storage System	174
Connection from the Backup/Archive Host Server to the Disk Array	175
Backup/Archive Server	175
Backup/Archive Software and Method	175
Connection from the Archive/Backup Host Server to the Library	175
Media	176
Finding Event Information	176
Unlocking a Magazine	176
Using the RMI to Unlock Magazines	176
Using the Magazine Manual Release	177
Unloading a Stuck Tape	177
Returning the Robotic Assembly to the Base Module	177
Robotic Assembly Stopped Near Base Module or Between Modules	178
Robotic Assembly Stopped Far From Base Module or Cannot Move Vertically	178
Running Library Tests	179

Appendix B: Event Codes and Acronyms

Event Codes	181
Warning Events	188
Configuration Change Events	193
Informational Events	195
Acronyms and Abbreviations	196

Appendix C: Technical Specifications

Physical Specifications	197
Environmental Specifications	197
Electrical Specifications	198
Regulatory Specifications (CSA test conditions)	198
Default Settings	199

Master Glossary & Acronym List**Index**

1

Overview

All NEOxl 80 installations begin with the Base Module with a capacity for 80 tape cartridges and 6 half-height LTO tape drives.

The NEOxl 80 is expandable, allowing a user to grow their tape storage capacity as their data requirements increase. As data storage needs grow, the NEOxl 80 can also grow by adding one or more Expansion Modules. Each Expansion Module provides an additional 80 tape cartridge slots and supports an additional 6 half-height LTO tape drives.

Up to six Expansion Modules can be added to a Base Module (three above and three below), bring the total library capacity to 560 tape cartridges and 42 half-height LTO tape drives.

Topics in Overview:


- [Supported Configurations](#)
- [Base Module Front Panel](#)
- [Module Rear Panels](#)
- [Drive Sled Back Panels](#)
- [Power Supply Rear Panel LEDs](#)
- [Element Numbering](#)
- [Supported Tape Cartridges](#)

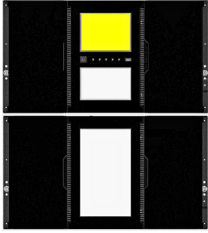
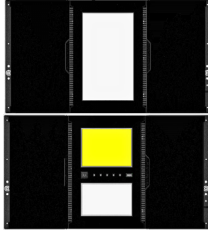
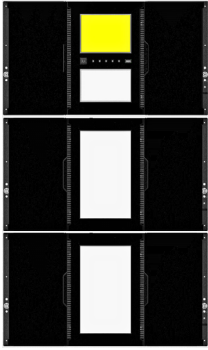
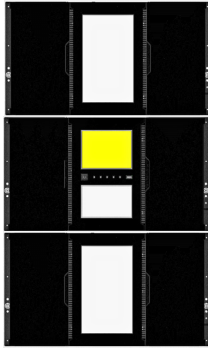
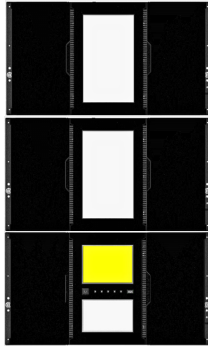
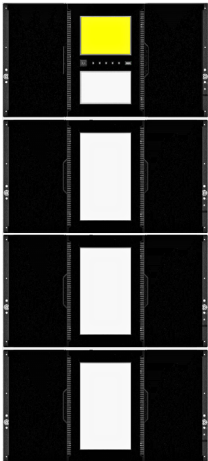
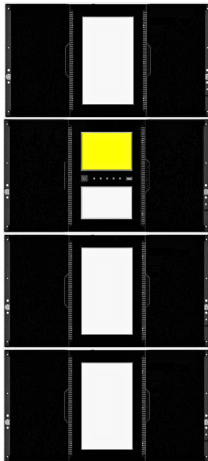
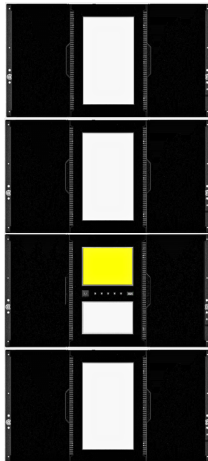
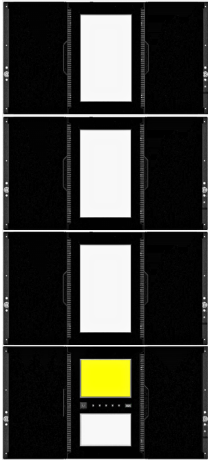
Supported Configurations

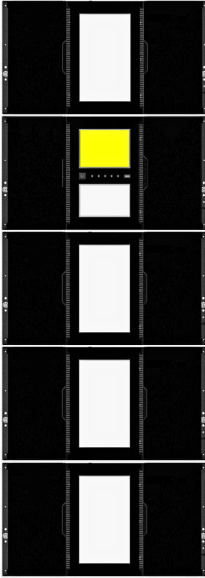
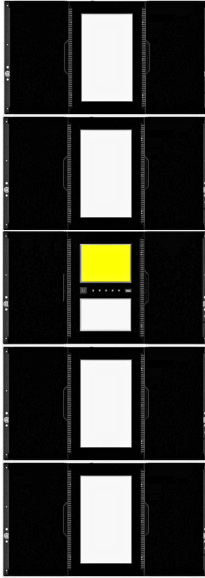
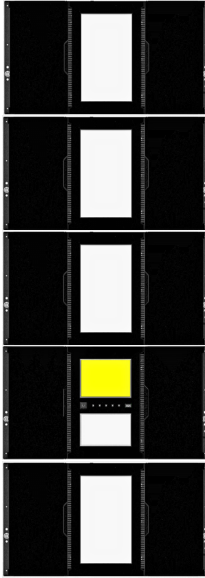
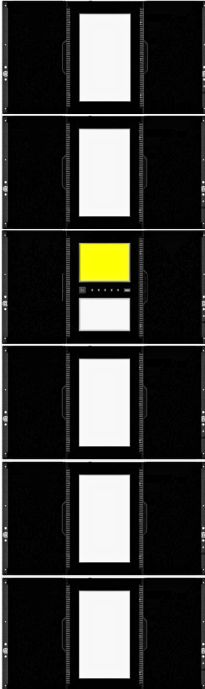
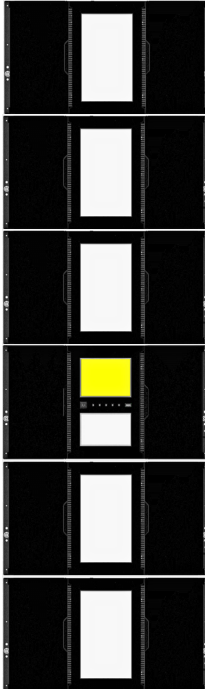
A NEO X-Series Tape Library is configured as a rackmount system consisting of a Base Module and up to six optional Expansion Modules (three above and three below).

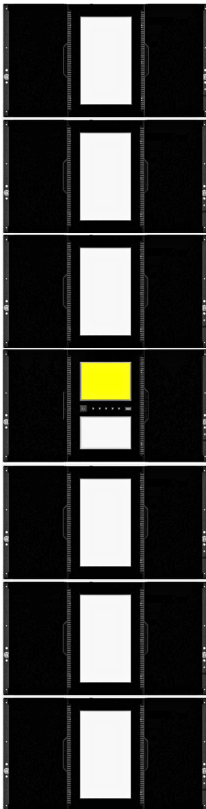
Rackmount Configurations

The following table shows all the supported configurations for libraries ranging from one to seven total modules.

Module Quantity	Supported Configurations
1-Module Library (Base Module only)	

Module Quantity	Supported Configurations		
2-Module Library (Base Module + 1 Expansion Module)			
3-Module Library (Base Module + 2 Expansion Modules)			
4-Module Library (Base Module + 3 Expansion Modules)			
			

Module Quantity	Supported Configurations		
5-Module Library (Base Module + 4 Expansion Modules)			
6-Module Library (Base Module + 5 Expansion Modules)			

Module Quantity	Supported Configurations
7-Module Library (Base Module + 6 Expansion Modules)	

Supported Tape Drives

The NEOxl 80 was developed to integrate industry-standard LTO Ultrium tape drives from IBM. Mixed drive generations and mixed interfaces are supported within a single library and within a single module.

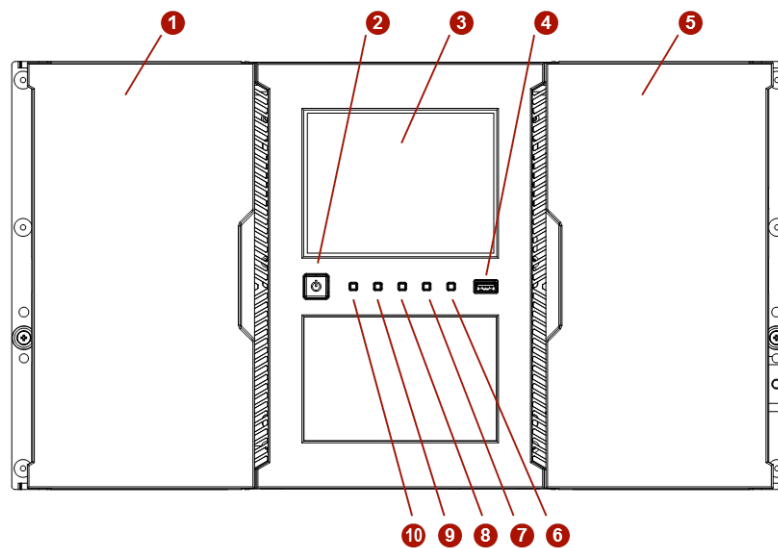
Listed below are the tape drives that have been implemented and qualified for use in the tape library.

Implemented and Qualified Drives

IBM LTO Drives	Drive Types	Port Configurations
LTO-6 Half-Height	Fibre Channel (FC)	Single Port Dual Port
	Serial Attached SCSI (SAS)	Dual Port
LTO-7 Half-Height	Fibre Channel (FC)	Single Port Dual Port
	Serial Attached SCSI (SAS)	Dual Port

IBM LTO Drives	Drive Types	Port Configurations
LTO-8 Half-Height	Fibre Channel (FC)	Single Port Dual Port
	Serial Attached SCSI (SAS)	Dual Port
LTO-9 Half-Height	Fibre Channel (FC)	Single Port Dual Port
	Serial Attached SCSI (SAS)	Dual Port

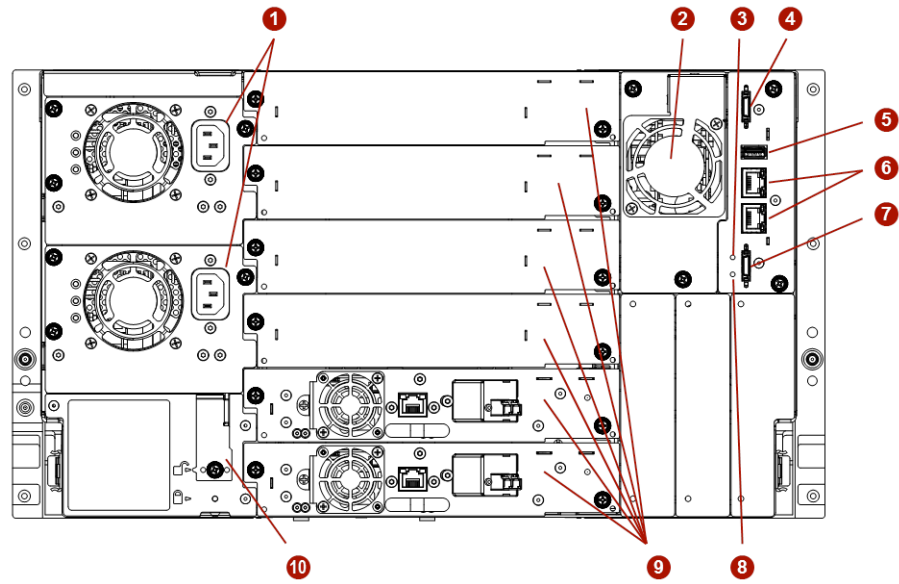
Base Module Front Panel



- | | |
|--|----------------------------------|
| 1 Left Magazine Access Door | 6 Error LED, Amber |
| 2 Power Button | 7 Attention LED, Amber |
| 3 Operator Control Panel (OCP) Display | 8 Clean LED, Amber |
| 4 USB Port | 9 Ready LED, Green |
| 5 Right Magazine Access Door | 10 Unit Identification LED, Blue |

Module Rear Panels

The following is a breakdown of the rear panels for the Base Module and the Expansion Module. The Expansion Modules do not have USB or Ethernet ports (Diagnostic and RMI). The DC-DC Drive Power Board is located inside the chassis behind the Controller panel.



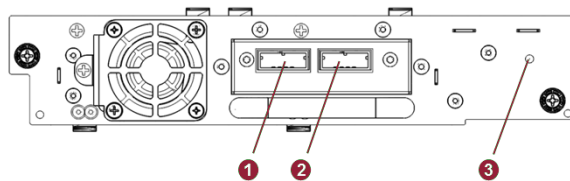
- | | |
|---|---|
| 1 Power Supply Units (PSU) | 6 Ethernet Ports (Diagnostic & RMI)* |
| 2 Chassis Fan | 7 Lower Expansion Cable Connection Port |
| 3 Controller Health Status LED, Green | 8 Unit Identifier (UID) LED, Blue |
| 4 Upper Expansion Cable Connection Port | 9 Half Height Tape Drive Bays |
| 5 USB Port* | 10 Module Alignment Mechanism |

* Base Module Only

Drive Sled Back Panels

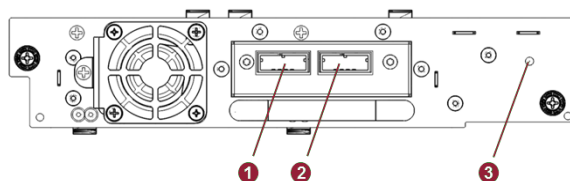
The NEOxl 80 Tape Library supports LTO-9, LTO-8, LTO-7, and LTO-6 tape drives.

IBM LTO-8/7/6 HH SAS ADI Dual Port



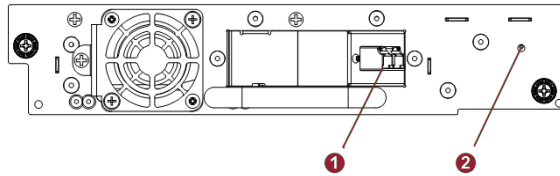
- 1 SAS Port A
- 2 SAS Port B
- 3 Tape Drive Power LED, Green

IBM LTO-9 HH Mini-SAS Dual Port



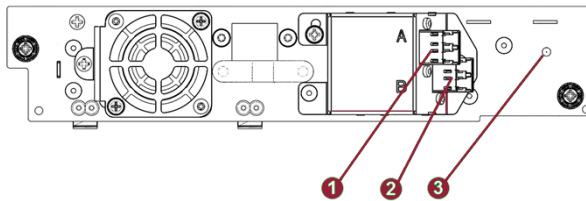
- 1 Mini-SAS Port A
- 2 Mini-SAS Port B
- 3 Tape Drive Power LED, Green

IBM LTO-9/8/7/6 HH FC ADI Single Port



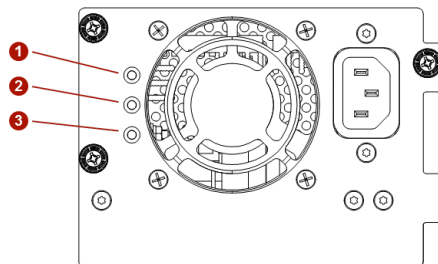
- 1 FC Port A
- 2 Tape Drive Power LED, Green

IBM LTO-9/8/7/6 HH FC ADI Dual Port



- 1 FC Port A
- 2 FC Port B
- 3 Tape Drive Power LED, Green

Power Supply Rear Panel LEDs

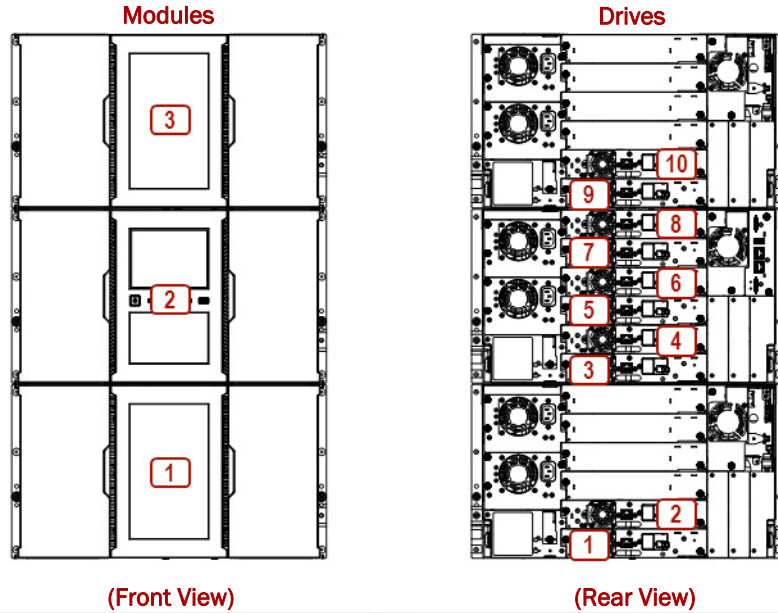


- 1 White AC power connected but module powered OFF
- 2 Amber Power Supply Fault Condition
- 3 Green Module powered ON

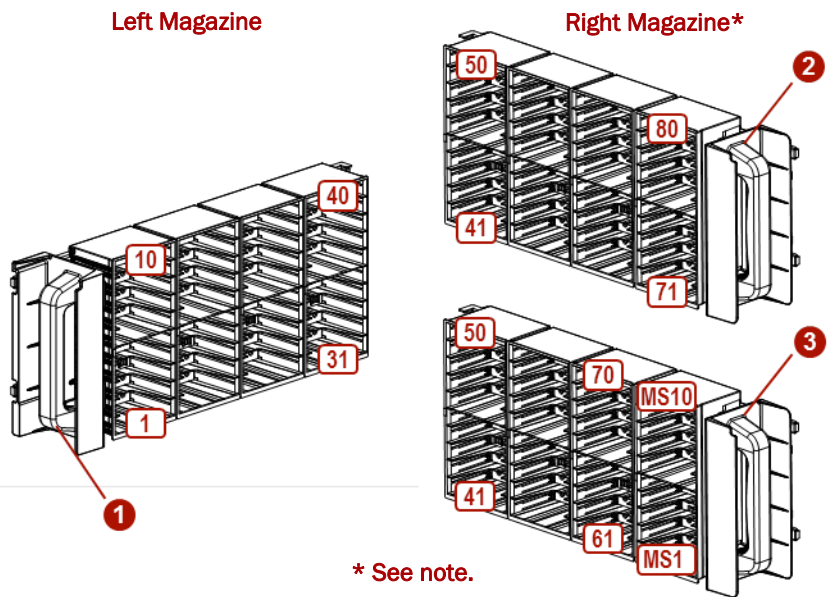
Element Numbering

The library displays logical element numbering of modules, storage slots, and tape drives starting with number one going from the bottom up.

Numbering Examples:



Module Numbering	Tape Drive Numbering
Module 1 (Expansion)	Drives 1-2
Module 2 (Base)	Drives 3-8
Module 3 (Expansion)	Drives 9-10



NOTE: Top right graphic has mailslots disabled while bottom right graphic has mailslots enabled.

Supported Tape Cartridges

Use the Ultrium data and cleaning tape cartridges designed for your library based on the type of tape drives used.

LTO-6 Tape Drive	LTO-7 Tape Drive	LTO-8 Tape Drive	LTO-9 Tape Drive
LTO-6 6.25 TB* Data Cartridge	LTO-7 15 TB* Data Cartridge	LTO-7 Type M 22.5 TB* Data Cartridge	LTO-9 45 TB* Data Cartridge
LTO-6 6.25 TB* WORM Data Cartridge	LTO-7 15 TB* WORM Data Cartridge	LTO-8 30 TB* Data Cartridge	LTO-9 45 TB* WORM Data Cartridge
		LTO-8 30 TB* WORM Data Cartridge	

*Using a 2.5:1 compression factor.

All tape drives use the Ultrium Universal Cleaning Cartridge (50 cleanings). For details, refer to the Overland-Tandberg website.

Read and Write Compatibility

Media Type	LTO-6 Drive	LTO-7 Drive	LTO-8 Drive	LTO-9 Drive
LTO-6 Media, Unencrypted	Read/Write	Read/Write	Incompatible	Incompatible
LTO-6 Media, Encrypted	Read/Write with encryption key	Read/Write with encryption key	Incompatible	Incompatible
LTO-7 Media, Unencrypted	Incompatible	Read/Write	Read/Write	Incompatible
LTO-7 Media, Encrypted	Incompatible	Read/Write with encryption key	Read/Write with encryption key	Incompatible
LTO-7 Type M Media, Unencrypted	Incompatible	Incompatible	Read/Write	Incompatible
LTO-7 Type M Media, Encrypted	Incompatible	Incompatible	Read/Write with encryption key	Incompatible
LTO-8 Media, Unencrypted	Incompatible	Incompatible	Read/Write	Read/Write
LTO-8 Media, Encrypted	Incompatible	Incompatible	Read/Write with encryption key	Read/Write with encryption key
LTO-9 Media, Unencrypted	Incompatible	Incompatible	Read/Write	Read/Write
LTO-9 Media, Encrypted	Incompatible	Incompatible	Read/Write with encryption key	Read/Write with encryption key

2

Installation



WARNING: To avoid injury, we recommend the use of a mechanical lifting aid (or at least two persons) for rack installation or removal. Use caution during rack installation or removal to avoid accidentally tilting or tipping the rack or injuring yourself. To reduce the risk of electric shock or damage to equipment, always remove any power cords while working with the equipment.

WARNUNG: Um Verletzungen zu vermeiden, empfehlen wir zur Rack-Installation oder -Deinstallation die Nutzung einer mechanischen Hebehilfe (oder mindestens zwei Personen). Seien Sie vorsichtig bei der Rack-Installation oder -Entnahme, um ein versehentliches Kippen des Racks zu vermeiden und das Rack nicht zu beschädigen bzw. sich selbst zu verletzen. Um das Risiko eines elektrischen Schlags oder Schäden am Gerät zu vermeiden, ziehen Sie stets den Netzstecker, bevor Sie an der Einheit arbeiten.

AVERTISSEMENT: Afin d'éviter des blessures pendant l'installation, il est recommandé d'utiliser un monte-charge (ou au moins deux personnes) pour élever ou aligner l' module. Faites attention lorsque vous insérez ou retirez l' module d'un support, pour empêcher le déversement accidentel de la crémaillère causant des dommages et des blessures. Pour réduire le risque de choc électrique ou endommagement de l'équipement, retirez toujours les cordons électriques en travaillant avec l'équipement.

Topics in Installation:

- [Plan the Installation](#)
- [Installation Precautions](#)
- [Library Module Preparation](#)
- [Rack Installation of Modules](#)
- [Attach Library Cables](#)

Plan the Installation

These four planning steps are necessary to install your NEO:

- Choose a rack location for the library.
- For rack installations, plan the rack layout.
- Plan the host interface configuration and obtain the necessary cables.
- Plan the TCP/IP network configuration.

Location Requirements

The library was designed for rack installation and must use the provided rack rails.

Select a location with access to the host server that meets the criteria in the table below.

Criteria	Definition
Rack Requirements	Standard 19-inch rack (minimum depth of 1 meter) with an appropriate number of Rack Units of clearance for the planned module quantity.
Rack Space Requirements	6U for the Base Module plus 6U for each Expansion Module.
Room Temperature	10-35° C (50-95° F)
Power Source	<ul style="list-style-type: none"> • AC power voltage: 100-240 VAC • Line frequency: 50-60 Hz • Library located near AC Outlets <p>The AC power cord is the library's main AC disconnect device and must be easily accessible at all times.</p>
Environmental Cleanliness	Data centers should meet the cleanliness level of ISO 14644-1 class 8.
Humidity	20% to 80% 26° C wet bulb max.

Host Interface

Plan either for a SAS or Fibre Channel configuration, determining the parameters to be used (such as speed) and obtaining the necessary host interface cables and connection accessories.

SAS Configuration Requirements

Serial Attached SCSI (SAS) is a computer interface technology mainly used to transfer data to and from storage devices, including disk drives and tape drives. Supported SAS speeds by all tape drives are 1.5 Gb/s, 3 Gb/s, 6 Gb/s, and 12 Gb/s.

SAS uses serial connections, with a direct connection between the host server and each of the storage devices.

The host server must have a SAS Host Bus Adapter (HBA) with an external connector. The HBA uses multiple Logical Unit Numbers (LUNs) to communicate with the library. Verify that your HBA supports multiple LUNs, as most RAID controllers do not. Most SAS HBA ports have four SAS channels. A tape drive uses one channel, so each HBA port can support up to four tape drives. You can use a cable with one connector on each end, but only one channel will be used.



CAUTION: High quality SAS cables rated at the transfer rate the SAS drives are required. Always verify that the SAS cable you are using is rated for the data transfer speed of the interface of your components. SAS cables described as “equalized” may not support 6 Gb/s data rates and should not be used with LTO-5 or later generation tape drives unless these cables are verified for 6 Gb/s data rates.

The library has one or more mini-SAS connectors on each SAS tape drive. Mini-SAS connectors are keyed. Do not force a SAS cable's mini-SAS connector into the tape drive as it might be keyed differently.

A SAS tape drive is identified by a unique identifier called a World Wide Name (WWN) or World Wide Identifier (WWID). The library assigns the WWID to the drive bay. When a tape drive is replaced, the WWID is re-assigned to the new tape drive.

The operating system tracks the WWID for the tape drive on each HBA channel. Each of the drive connectors on the fan-out cable is associated with an HBA channel. Once a tape drive has been plugged in, it should remain on the same channel to retain the association between the HBA channel and WWID.

Fibre Channel Configuration Requirements

The Fibre Channel (FC) tape drive can be connected directly to the server with a Host Bus Adapter (HBA) or through a storage area network (SAN).

The installation requires one Fibre Channel cable for each tape drive. The tape drives all utilize an LC-style connector. Some drives have two FC ports, but only one cable connection is needed per drive. The cable can be connected to either drive FC port.

Supported speeds by all tape drives are 2 Gb/s, 4 Gb/s, and 8 Gb/s.

IMPORTANT: Use an appropriate HBA for your tape drive due to performance requirements. A lower Gbps HBA might result in performance degradation when moving highly compressible data to a higher Gb tape drive.

In a SAN installation, all switches between the host and the library must be of the appropriate type. A lower Gb switch in the path may result in performance degradation. Configure zoning so only the backup servers may access the library.

Planning Module and Rack Layout

If possible, install the Base Module in the middle of the rack to provide space for the permitted three Expansion Modules above and three Expansion Modules below. See [Chapter 1, “Supported Configurations,”](#) for additional details.

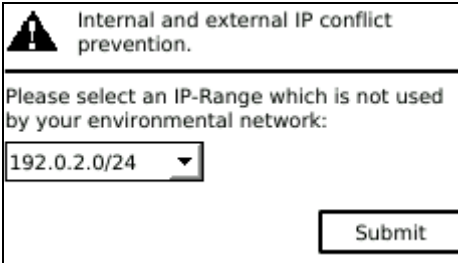
Internal IP Range Selection

For internal communication between modules the tape library uses an Ethernet connection with an internal IP address range.

IMPORTANT: To prevent any conflict between the internal IP address range and the external IP addresses, it is **required** to select the internal IP range before the tape library gets connected to the external Ethernet port.

A file which contains the internal IP range is stored onto the Base Module backplane.

The values must be in the format “RANGE=192.0.2”.



NOTE: The last section of the IP address is not set because it is set internally.

The file is created through the Operator Control Panel (OCP) IP Range selection screen when the library starts for the very first time or if the unit was reset to Manufacturing Defaults / Reset via OCP or Remote Management Interface (RMI).

Follow these general guidelines:

- Check with a system administrator before powering off the host computer.
- For a SAS library, confirm availability or install a SAS HBA that supports multiple LUNs.
- For a direct-attach Fibre Channel library, confirm availability of install a Fibre Channel LC optical host interface connection.
- For connection of a Fibre Channel library through a compatible switch, verify that ports are available for all tape drives that support the fibre channel requirement of the tape drives used.

Installation Precautions

Warnings:

Product weight. Each NEOxl 80 module weighs about 90 lbs. (43kg) without drives or tapes. Before moving or lifting the module, remove the tape magazines and drives to reduce the weight.

Risk of personal injury. Before moving or lifting a module:

- Observe local health and safety requirements and guidelines for manual material handling.
- Remove all tapes to reduce the weight and to prevent cartridges from falling into the robotics path and damaging the library.
- Remove all tape drives to reduce the weight.
- Obtain adequate assistance to lift and stabilize the module during installation or removal.

Risk of damage to devices. When placing a module into or removing the module from a rack:

- Extend the rack's leveling jacks to the floor.
- Ensure that the full weight of the rack rests on the leveling jacks.
- Install stabilizing feet on the rack.
- Extend only one rack component at a time.

Poids du produit:

Chaque module de bibliothèque pèse 43kg sans média ni lecteur de bande. Lors du déplacement de la bibliothèque, pour réduire les risques de blessures ou de détérioration du périphérique.

- Respectez les règles locales de santé et de sécurité au travail ainsi que les instructions concernant la manipulation du matériel.
- Retirez les bandes des lecteurs avant de déplacer un module.
- Retirez toutes les bandes pour réduire le poids global du périphérique et pour empêcher les cartouches de tomber dans le chemin robotique et d'endommager la bibliothèque. Disposez les cartouches de sorte qu'elles réintègrent leur emplacement d'origine.
- Faites-vous assister pour soulever et stabiliser le périphérique pendant l'installation ou le retrait.

Static Sensitive

Risk of damage to devices exists:

- A discharge of static electricity damages static-sensitive devices or micro circuitry.
- Proper packaging and grounding techniques are necessary precautions to prevent damage.

Électricité statique

Risque d'endommager les périphériques par une décharge d'électrostatique:

- Une décharge d'électricité statique peut endommager les circuits imprimés du système ou les autres périphériques sensibles aux décharges électrostatiques.
- Un emballage approprié et une mise à la terre constituent les précautions nécessaires pour éviter tout dommage.

Moisture



CAUTION: Do not expose the library to moisture. Do not place a module on either the module ends or sides as this may cause damage.

If the temperature in the room where the library operates varies by 15 °C (30 °F) or more from where the module was stored, allow it to acclimate for at least 12 hours prior to unpacking.

Library Module Preparation

Components

The following components are shipped in each module box:

- Base or Expansion Module
- Two Rack Rails
- Accessory Kit containing:
 - One Rackmount Hardware Kit
 - Two North American power cords
 - Two European power cords
 - Expansion Interconnect Cable (Expansion Module only)
 - NEOxl 80 Quick Start Guide

For SAS libraries, you must provide SAS cabling with the correct configuration for your HBA. For Fibre Channel libraries, you must provide one Fibre Channel cable for each tape drive.

Preparing Top and Bottom Modules

NOTE: Skip this step if you are installation a Base Module without Expansion Modules.

The Base Module has removable top and bottom covers. You need to transfer one or both covers from the Base Module to Expansion Modules. The covers are identical and the procedure to change them is the same for both top and bottom covers.

- If you are installing Expansion Modules below the Base Module, move the bottom cover from the Base Module to the Expansion Module that will be installed at the bottom of the library.
- If you are installing Expansion Modules above the Base Module, move the top cover from the Base Module to the Expansion Module that will be installed at the top of the library.

To move a library cover plate from the Base Module to an Extension Module:

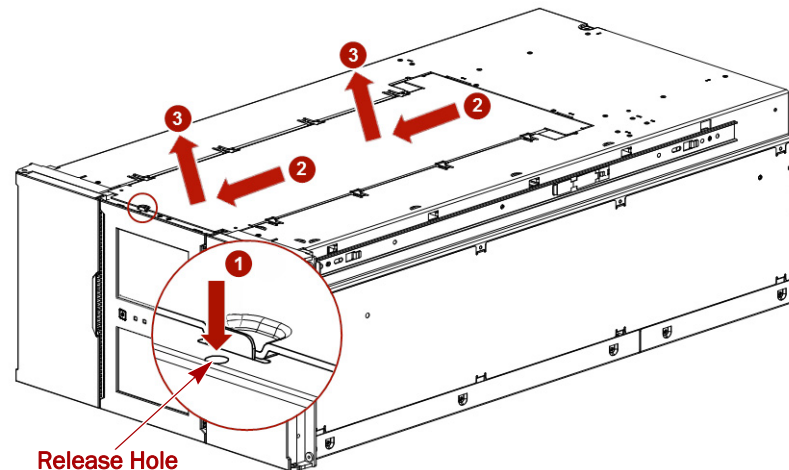
a.

1. Remove the library cover plate from the Base Module.

- a. Place the **Base Module** on a work table.

If you are removing the bottom cover, gently turn the Base Module over so you can access the bottom of the module.

- b. Insert a small flathead screwdriver or Torx **tool** down into the hole to release the spring lock (1).
- c. Slide the cover forward (2) until it reaches the tool in the hole, remove the tool, and continue sliding the cover to the front until all the tabs are released.



- d. Remove the **cover** (3) from the module.

- e. If the Base Module is upside down, gently return it to its normal position.

2. Install the cover on the Expansion Module.

- a. Place the Expansion Module on the work table.

If the module will be the bottom module in the library, gently turn the module over so you can access the bottom of the module.

- b. Align all cover tabs with the slots on the module, gently push the cover down, and then slide it towards the back of the module until the spring lock (1) engages.
- c. If the Expansion Module is upside down, gently return it to its normal position.

Rack Installation of Modules

NEO modules are easy to install in racks compliant to the EIA 310A Standard. You need a #2 Phillips screwdriver for this process.

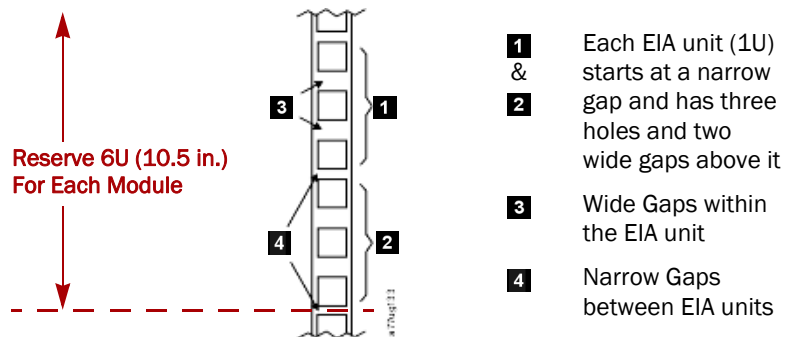
Install the Rack Rails

To locate the rail locations when installing multiple modules:

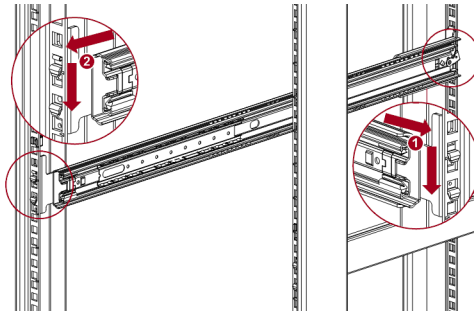
NOTE: Each module requires 6U (10.5 inches) of rack space each.

1. Determine the location in your rack for your module to be installed and, using a pencil, mark the **location** on each vertical rail in your rack.

It is recommended to start at the lowest position of the rack for stability. The bottom mark should be at the lowest narrow gap.



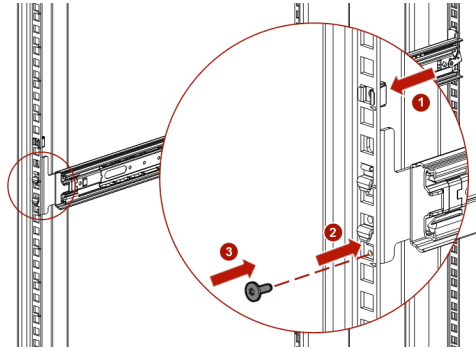
2. From the front of the rack, insert the **rack rails** into the back and then front vertical supports.



- a. Position a rail according to the **orientation information** stamped on the rail.
- b. Rotate the front of the rail up while inserting the **rear rail hanger** into the rear vertical support, and then lower the front of the rail until it is nearly level.
- c. Extend the front of the rail until the **hangers** come through the holes in the vertical support and the retention spring snaps into place.
- d. Repeat [Steps a–c](#) the **other rail**.

NOTE: The rails must be fastened with the bottom of the each rail parallel to floor and at the same level.

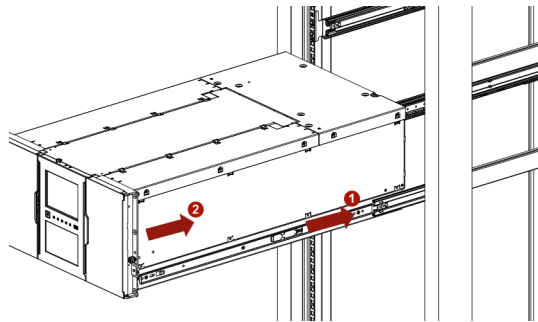
- On the front of both rails in a square-hole lock, install a **clip nut** above the mounting bracket as shown (1) and, for increased stability, install the **retention inserts** (2).



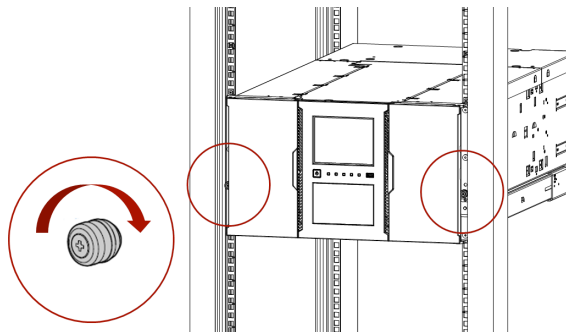
- For increased stability, install the supplied **retention inserts** (3).

Insert the Modules in the Rack

- Extend the **middle rails** until they lock into place.
- Move the **sliding assembly** to the front of the middle rails.
- Using the mechanical lifter, position the **library** in front of the rack, aligned with the extended rails.
- Slide the library onto the **middle rails** and into the rack until it stops.



- Using your fingers, secure it to the rack with the **captive screws** on the front of the library.

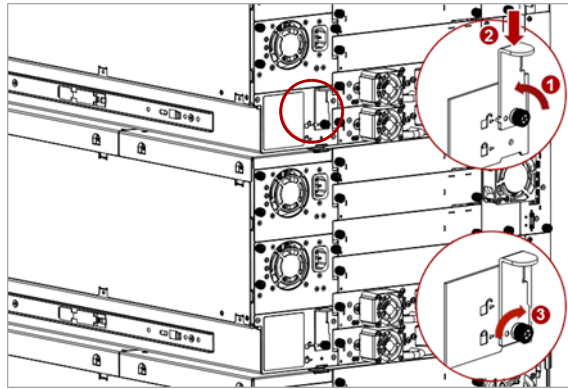


Aligning and Connecting Modules

NOTE: Skip this step if the library does not have Expansion Modules.

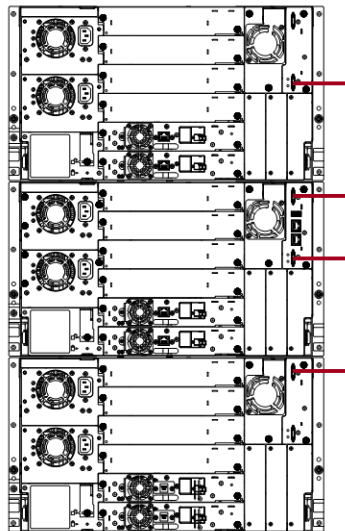
Aligning the modules ensures that the robot can move freely between the modules. The library will not operate unless the alignment mechanism is in the locked position.

1. At the front of the library, loosen the **thumbscrews** on each module two full turns.
2. At the back of the library, starting with the bottom pair of modules, **align each module** with the module below it by loosening the thumbscrew (1), lowering the mechanism (2), and then re-tightening it (3).



If you encounter resistance, adjust the upper module so that the alignment mechanism pin moves into the mating hole in the lower module.

3. Repeat [Step 2](#) for each pair of modules.
4. Verify that the **lowest module** in the library has its alignment mechanism in the unlocked position.
5. At the front of the library, tighten the **thumbscrews** on all of the modules to secure the modules to the rack.
6. Connect the **expansion interconnect** cables from the module ports to any adjacent modules.



Attach Library Cables

CAUTION: It is recommended that you shut down and turn OFF the associated server. Turn OFF all attached devices. Remove the power cables from the server and all attached accessories. Failure to remove the power cords from these devices before connecting the host interface cable could result in damage to the library.

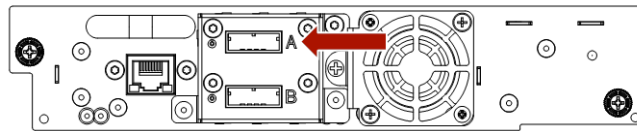
All cabling, power connections, and cooling are located on the rear panel.

1. Attach one end of the **host interface cable** to the library:

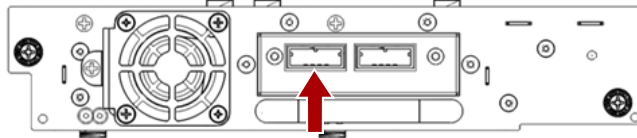
- For a Serial Attached SCSI (SAS) connected library, attach one end of the **SAS cable** to Port A (top) SAS HBA on the SAS drive.

If you are using a SAS fanout/hydra cable, attach one mini-SAS connector into the connector on each tape drive. The unused ends of the SAS fanout cable are single channel and not suitable for use with disk arrays. Use the other ends to connect tape drives, or coil and secure them to the rack to minimize stress on the connectors.

SAS Tape Drive

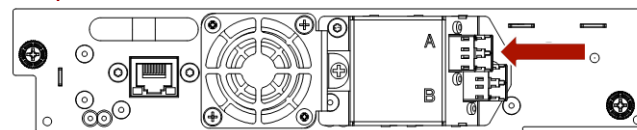


Mini-SAS Tape Drive



- For a Fibre Channel (FC) library, attach one end of the **fibre cable** to Port A (top) connector on the FC drive, removing the cap if necessary.

FC Tape Drive



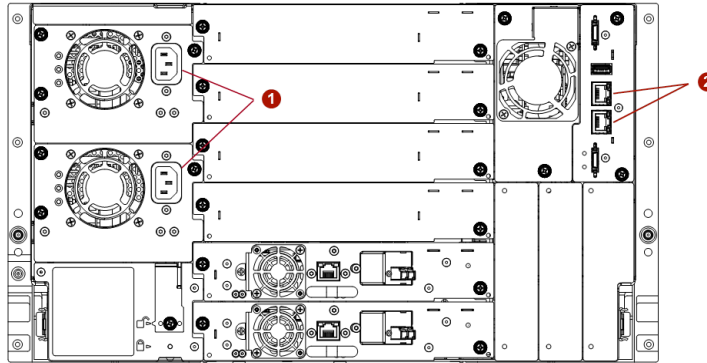
2. Attach the **other end** of the host interface cable as follows:

- For a SAS library, connect the **host interface cable** to the host HBA, using a direct SFF-8088 or SFF-8644 (12 Gb mini-SAS HD) connection. Unused SAS connectors do not need termination.

If you are using a SAS fanout/hydra cable, the end of the cable with only one connector should be plugged into the HBA.

- For a Fibre Channel library, connect the **fibre cable** to the host or to a switch.

3. Plug the **network Ethernet (management) cable** into the bottom Ethernet port (2) on the rear panel of the library.
If the Ethernet connection is directly attached to a server or laptop, a crossover Ethernet cable may be required.



4. For remote access, connect the **network Ethernet (management) cable** to your network.
5. Plug the **power cables** into the power connectors (1) on each module and into power outlets.

NOTE: The library has dual redundant power supplies. To increase redundancy, plug each power cord into a different AC power circuit.

3

Initial Setup

Once all the NEO hardware is installed and connected, the first step is to start configure the library:

- Power on the library.
- Resolve the network IP address.
- Run the Initial Configuration Wizard from the OCP. The wizard guides you through configuring:
 - The administrator PIN.
 - Timezone, date, and time settings.
 - Basic network configuration.

You can skip wizard items and stop the wizard at any time. When done, an initial system test begins.

- Complete the configuration using the RMI.

This chapter provides the detailed steps for the items outlined above.

Topics in Initial Setup:

- [Powering On the Library](#)
- [Initial Setup Using the OCP Wizard](#)
- [Verifying the Host Connection](#)
- [Loading Tape Cartridges](#)
- [LTO-9 Cartridge Initialization](#)
- [Verifying the Installation](#)
- [Configuring Additional Features](#)

Powering On the Library

Power on the library from the Base Module OCP panel by pressing and holding down the power button for three (3) seconds. As the library is powered on, it inventories the tape cartridges in the magazines, checks the firmware version on all modules, configures the tape drives, searches for any new modules, and checks the network.

The green light on the front panel illuminates indicating the library status is ready.

At this first time power on, the library displays a message on the OCP display that the network IP is incorrect. Use the OCP to update the IP address:

NOTE: For complete details, also refer to Chapter 5, “Operator Control Panel.”

1. Using the navigation buttons, go to the OCP **Configuration > Network Settings** screen.

2. Configure the following **settings** as needed:
 - Host Name
 - Domain Name
 - Protocol
 - IPv4 or IPv6 related settings
3. Press **Down** to navigate to **Submit**.
4. Press **Enter**.
The tape library automatically reboots.

Initial Setup Using the OCP Wizard

Once you have configured the network settings and the tape library has rebooted, the user is prompted to walk through the Initial Configuration wizard. The wizard guides you through configuring the time zone, date and time, network settings, setting the administrator password, and then start an initial system test. You can skip items and stop the wizard at any time. Once you have configured the network settings and set the administrator password, you can initiate the wizard from the RMI to complete the remaining configurations.

NOTE: It is recommended to walk completely through the wizard and finish it by pressing the **Finish Button**. Otherwise, with every login on the OCP, the user is prompted to walk through the wizard again.

Verifying the Host Connection

To verify the connections between the host computer and the library:

1. Install the **application software and/or drivers** that are compatible with the library. Backup software packages might require additional software or licensing to communicate with the robotics.
2. Verify the connection between the library and the host using the host server's **operating system utilities**.

Loading Tape Cartridges

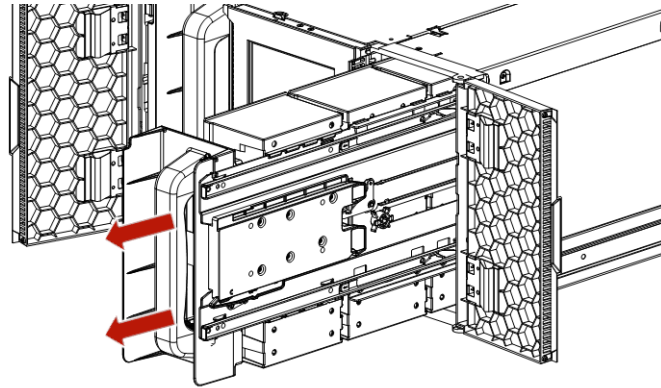
The library can be powered on without cartridges, but needs to have cartridges installed before performing either data read/write operations, or any tests or operations that transfer cartridges.

Labeling Tape Cartridges

Barcode labels are recommended in production environments to improve inventory time in the library and ease cartridge handling processes outside the library. Refer to [Tape Cartridge Use and Maintenance](#) in [Chapter 4, "Basic Library Operation."](#)

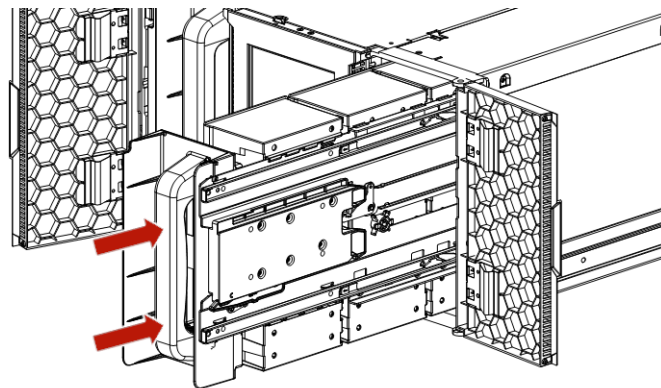
Using the Mailslot to Load Tape Cartridges

If the mailslot is enabled, you can use it to load cartridges into the library. On the Home screen, tap **Open Mailslot**, open the magazine access door, and then pull the mailslot out.



Bulk Loading Magazines

1. Extend one of the **magazines** from the library.
 - a. From the OCP or RMI, select the **module** and then select **Open Magazine**.
 - b. Open the magazine **access door**.
2. Load the **tape cartridges** into the magazine starting with the back of the magazine. Push the magazine in the library as each vertical bin is filled.
3. Push the **magazine handle** slowly inward until the magazine release latch snaps into place, securing the magazine.



4. Repeat [Steps 1–3](#) for each of the **other magazines** being loaded.

LTO-9 Cartridge Initialization

New LTO-9 cartridges need to be initialized before they can be used because the increased number of tracks used to write data on an LTO-9 tape requires greater precision. Media optimization creates a referenced calibration for each cartridge that enables the tape drive's intelligent alignment to optimize data placement. LTO-9 media optimization enhances LTO tape long-term media durability.

- Media optimization is performed on first load of LTO-9 media during initialization.
- Media optimization is a one-time operation that can be completed on any drive in the environment, enabling the media to be used across all tape drives without further optimization.
- Media optimization averages 40 minutes per first load of a cartridge to a tape drive. Although most media optimizations will complete within 60 minutes, some media optimizations may take up to 2 hours.
- Interruption of the process is not recommended.
- During cartridge initialization, the Single Character display will show a lowercase “c” (calibrating).

Technical briefs covering the LTO-9 new media initialization for either a XL-Series or S-Series library can be found in the Overland-Tandberg Knowledge Base under *Tape Archive Solutions (NEO & LTO Drives)*. See the *NEO & LTO Technical Bulletins & FAQs* section.

<https://www.overlandtandberg.com/knowledgebase/>

Verifying the Installation

Verify that the library has the **current firmware** revision.

The library firmware revision is displayed in the top left corner of the RMI Home page or on the OCP **Home > Status > Library > Library Status** screen.

If necessary, update the library firmware. You can update firmware from the RMI (**Maintenance > Firmware Upgrades > System Firmware**) or the OCP (**Maintenance > Library Firmware Upgrade**).

After configuring the library, you can save the configuration settings to a USB flash drive from the OCP or to a file on your computer from the RMI **Configuration > Save/Restore** page. Having a backup of the library configuration is helpful when recovering from a configuration error or if the library needs service. See [Save/Restore Library Configuration on page 83](#) in [Chapter 6, “Remote Management Interface.”](#)

Configuring Additional Features

Additional features can be set up at this time using the OCP.

Enabling and Configuring SNMP Network Management

See [SNMP Configuration on page 91](#) in [Chapter 6, “Remote Management Interface.”](#)

Email Event Notification

See [SMTP Configuration on page 92](#) in [Chapter 6, “Remote Management Interface.”](#)

Modifying the Default Tape Drive Settings

NOTE: When connecting an LTO-7 or later generation FC tape drive directly to the host, configure the FC port in Loop mode.

See [Drive Configuration on page 94](#) in [Chapter 6, “Remote Management Interface.”](#)

Enabling the Mailslot

See [Mailslots Configuration on page 96](#) in [Chapter 6, "Remote Management Interface."](#)

Configuring Partitioning

- **Basic Partition Wizard** – Use the Basic Partition Wizard to configure partitions that will have similar resources or to configure the number of bar code characters to report to the host application and whether to report them from the left or right end of the label for a library with a single partition.
- **Expert Partition Wizard** – Use the Expert Partition Wizard to configure partitions that will have different resources or to adjust resource assignments for existing partitions or those partitions created with the Basic Partition Wizard.

See [Partition Configuration on page 96](#) in [Chapter 6, "Remote Management Interface."](#)

4

Basic Library Operation

This chapter covers the basic functions used to operate your NEO XL-Series Tape Library.

The library has two main interfaces:

- **Operator Control Panel (OCP)** — Monitor, configure, and control the library from the Base Module front panel.
- **Remote Management Interface (RMI)** — Monitor, configure, and control the library from a web browser. The RMI hosts a dedicated, protected Internet site that displays a graphical representation of the library. It is accessed via the Ethernet network connection on the rear panel.

Topics in Basic Library Operation:

- [User Levels](#)
- [OCP Library Operation](#)
- [RMI Library Operation](#)
- [Magazine Manual Release](#)
- [Tape Cartridge Use and Maintenance](#)

User Levels

The user levels and default passwords for both the OCP and the RMI:

- **User** – No password is required (leave the **Password** blank unless the user password has been set at **Configuration > User Accounts**).
The user account provides access to status information, but not the configuration, maintenance, or operation functions.
- **Administrator** – The administrator password is required to login as the administrator. The initial administrator password is created using the setup wizard. The administrator password can then be changed at **Configuration > User Accounts**.
The administrator user has access to all functionality except the log configuration, Security access, and Service access.
- **Security** – The default security password is set at the factory to “**sec001**”. The security password can be changed at **Configuration > User Accounts**.
The security user has access to all functionality except the log configuration and Service access.
- **Service – Access to the Service user is by Service personnel only.** The service password is set at the factory. Both the administrator and service passwords are required for a qualified service person to enter the Service area.

OCP Library Operation

The Base Module front OCP panel has an LCD display, with a power button, five LEDs, and an USB port below the display. With the OCP you can monitor, configure, and operate most library functions from the library front panel.



For full details, see [Chapter 5, “Operator Control Panel.”](#)

RMI Library Operation

It is recommended that the Remote Management Interface (RMI) be used as the primary library interface because the web interface is easier to use, provides access to additional features, and includes online help. The RMI is not required to use the product. It does, however, enable you to configure advanced features, such as SNMP, IPv6, encryption, and partitions.

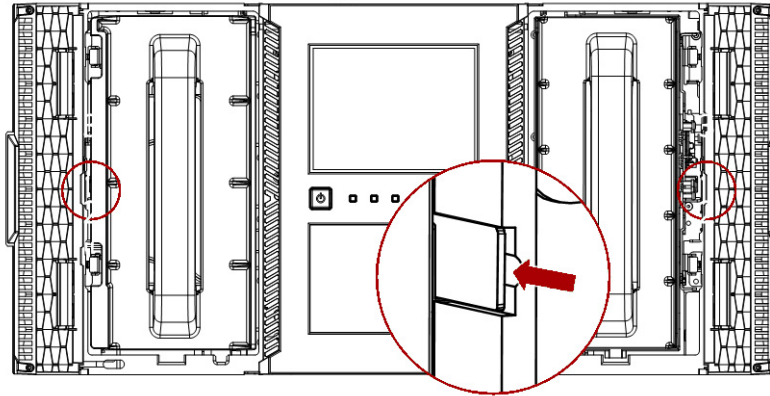
Before using the RMI, you must configure the library network settings with the OCP so you can access it. This is done with the Initial Configuration Wizard (see [Initial Setup Using the OCP Wizard on page 37](#)).

For full details, see [Chapter 6, “Remote Management Interface.”](#)

Magazine Manual Release

The tape magazines and mailslots can be manually accessed from the front panel of the NEO XL-Series Tape Library.

To unlock an entire magazine, use a small screwdriver to press the manual release tab located at the outside edge in the center of the door hinge.



Tape Cartridge Use and Maintenance

⚠ CAUTION: Do not degauss LTO data cartridges! These data cartridges are pre-recorded with a magnetic servo signal. This signal is required to use the cartridge with the LTO tape drive. Keep magnetically charged objects away from the cartridge.

To ensure the longest possible life for your data cartridges, follow these guidelines:

- Use only the data cartridges designated for your device.
- Clean the tape drive only when the Clean Drive LED is illuminated using only a Ultrium Universal Cleaning Cartridge.
- Do not drop a cartridge. Excessive shock can damage the internal contents of the cartridge or the cartridge case itself, making the cartridge unusable.
- Do not expose data cartridges to direct sunlight or sources of heat, including portable heaters and heating ducts.
- The operating temperature range for data cartridges is 10 to 35° C. The storage temperature range is -40 to +60° C in a dust-free environment in which relative humidity is always between 20 percent and 80 percent (non-condensing).
- If the data cartridge has been exposed to temperatures outside the specified ranges, stabilize the cartridge at room temperature for the same length of time it was exposed to extreme temperatures or 24 hours, whichever is less.
- Do not place data cartridges near sources of electromagnetic energy or strong magnetic fields such as computer monitors, electric motors, speakers, or X-ray equipment. Exposure to electromagnetic energy or magnetic fields can destroy data and the embedded servo code written on the media by the cartridge manufacturer, which can render the cartridge unusable.
- Place identification labels only in the designated area on the cartridge.

Labeling Tape Cartridges

The device contains a barcode reader that reads the tape labels and stores the inventory data in memory. The device then provides the inventory information to the host application, OCP, and RMI. Having a barcode label on each tape cartridge enables the barcode reader to identify the cartridge quickly, thereby speeding up inventory time. Make it a practice to use barcode labels on your tape cartridges.

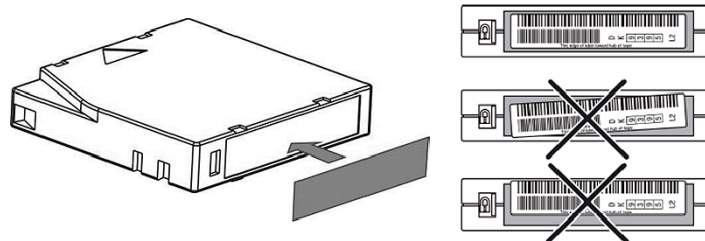
A proper barcode label includes the media ID in the last two characters of the barcode. The library will not load an incompatible cartridge, based on the barcode media ID, into a tape drive. For example, the library will not load a cartridge labeled as LTO-3 into an LTO-6 tape drive. This saves the time needed to load the cartridge and have the tape drive reject it.

Your host software may need to keep track of the following information via the associated barcode:

- Date of format or initialization
- Tape's media pool
- Data residing on the tape
- Age of the backup
- Errors encountered while using the tape (to determine if the tape is faulty)

→ IMPORTANT: Misusing and misunderstanding barcode technology can result in backup and restore failures. Use only high quality labels. Self-printed labels are not recommended as they are often a source of barcode reading issues.

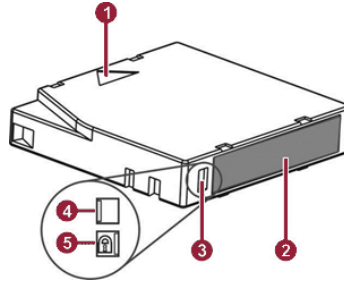
LTO tape cartridges have a recessed area located on the face of the cartridge next to the write-protect switch. Use this area for attaching the adhesive-backed barcode label. Only apply labels as shown:



→ IMPORTANT: The barcode label should only be applied as shown, with the alphanumeric portion facing the hub side of the tape cartridge. Never apply multiple labels onto a cartridge because extra labels can cause the cartridge to jam in a tape drive.

Write Protecting Tape Cartridges

All rewritable data cartridges have a write-protect switch to prevent accidental erasure or overwriting of data. Before loading a cartridge into the device, make sure the write-protect switch on the front of the cartridge is in the desired position.



- 1 Insertion Embossed Arrow
- 2 Barcode Label
- 3 Write-Protect Switch
- 4 Write-Enabled Position (Blank)
- 5 Write-Protected Position with Lock Icon

Switch positions:

- Slide the switch to the **left** to allow the device to write data to the cartridge.
- Slide the switch to the **right** to write-protect the cartridge. An indicator, such as a red mark or small padlock, is visible showing that the cartridge is write-protected.

5

Operator Control Panel

The Base Module front Operator Control Panel (OCP) panel has an LCD display, with a power button, five LEDs, and an USB port below the display. From the OCP, you can monitor, configure, and operate most library functions.



The OCP screen provides a similar set of menu items as compared to the full capability of the RMI (see [Chapter 6, “Remote Management Interface”](#)).

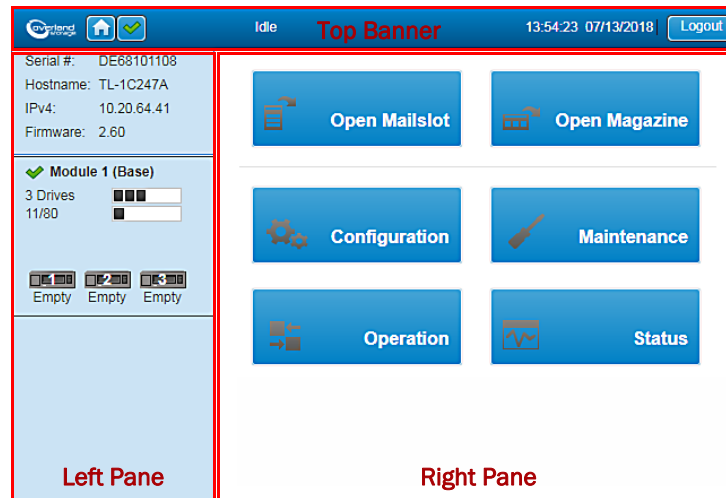
Topics in Operator Control Panel:

- [OCP Layout](#)
- [Change Settings Procedure](#)
- [Configuration Menu](#)
- [Maintenance Menu](#)
- [Operation Menu](#)
- [Status Menu](#)
- [Logout](#)

OCP Layout

NOTE: The OCP screen is identical to the RMI layout with the exception of the OCP Right Pane is the same as the RMI Center Pane and the RMI Right Pane is not shown in the OCP. Also, some RMI functions and options are not available in the OCP.





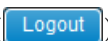
The OCP screen consists of three areas:



- **Top Banner** – Current status and information.
- **Left Pane** – Library and module status overviews.
- **Right Pane** – Library details and buttons to access features and options.

OCP Home Page Element Details

Top Pane

- **Home Icon** () – Press the Home icon to return to the main screen.
- **Library Health Icon** – An icon indicating the overall health status of the library.
 - **Status OK Icon** () – The green check mark icon indicates that all library components are fully operational and that no user intervention is required.
 - **Warning Status Icon** () – The yellow triangle exclamation point icon indicates that user attention is necessary but that the library can still perform most operations. Press the icon to display the event ticket log.
 - **Error Status Icon** () – The red circle X icon indicates that user intervention is required and the library is not capable of performing some operations. Press the icon to display the event ticket log.
- **Status** – The status of the library robotics.
 - **Idle** – The library robotics is ready to perform an action.
 - **Moving** – The library robotics is moving a cartridge.
 - **Scanning** – The library robotics is performing an inventory of cartridges.
 - **Offline** – The library robotics has been taken off line by the library.
- **Library Time & Date** – Helpful information when analyzing event logs and support tickets, and might be needed when contacting support.
- **Logout** () – Logs out of this RMI session and changes view to Login screen.

Left Pane

- **Serial #** – The serial number of the Base Module.
- **Hostname** – The library hostname.
- **IPv#** – The IP version (IPv4 or IPv6) and IP address.

- **Firmware** – The library firmware version.
- **Module Status Overviews** – A summary of each module's configuration and health. Click the module status area to select a different module.
 - **Module Health Icon** – An icon that indicates the health of the library (green OK, yellow warning, or red error).
 - **Module Number** – Modules are numbered based on their location in the physical library starting with the bottom module as Module 1. The Base Module is annotated with (Base).
 - **Drive Status** – The number of drives installed in the module, the health of each drive (color code), and a bar indicating the drives installed. Click the drive bar rectangle to display the drive configuration and status information pop-up.
 - **Black Rectangle** - indicates that the drive is fully operational and that no user intervention is required.
 - **Yellow Rectangle** - indicates that user attention is necessary but that the drive can still perform most operations.
 - **Red Rectangle** - indicates that user intervention is required or that the drive is not capable of performing some operations.
 - **Magazine Slot Usage** – The slot number in use / total number of cartridge slots available. Click the slot bar on the right to display cartridge inventory and status information (**Status > Cartridge Inventory > List View**).
 - **Drive Status** – The current drive activity for each drive in the module. The drive operation status is only displayed for the selected module. Click the drive icon to display the drive configuration and status information pop-up. The text below the icon is the current status:
 - **Write** – The drive is performing a write operation.
 - **Read** – The drive is performing a read operation.
 - **Idle** – A cartridge is in the drive but the drive is not performing an operation.
 - **Empty** – The drive is empty.
 - **Encrypt** – The drive is writing encrypted data.

Right Pane

- **Open Mailslot** – Click to unlock the mailslot on the selected module. Refer to Open Mailslot on page 117 for details.
- **Open Magazine** – Click to unlock a magazine in the selected module. Only one magazine in the library can be open at a time. Refer to Open a Magazine on page 117 for details.
- **Configuration** – Click to configure the library. See RMI Configuration Options on page 82.
- **Maintenance** – Click to access maintenance functions. See RMI Maintenance Options on page 104.
- **Operation** – Click to access operation functions. See RMI Operation Options on page 115.
- **Status** – Click to access status information. See RMI Status Options on page 119.

LED Indicators

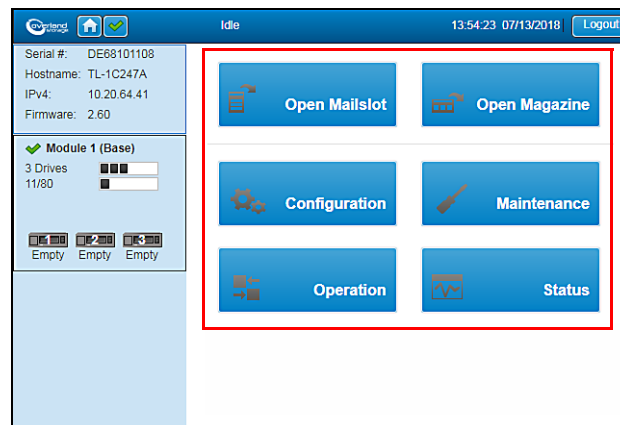
There are five LED indicators to the right of the Power button.



LED	Color	Description
UID	Blue	The Unit Identification (UID) LEDs are controlled by the user through the action Turn Identifier Light On or Off from the maintenance screen of the OCP. The UIDs on the OCP and Base Module back panel are activated and deactivated together. The UIDs are helpful for locating components of the library in a data center.
Ready	Green steady	Library power is ON.
	Green flashing	Blinking when there is tape drive or library robotic activity.
Clean	Amber	A tape drive cleaning operation is recommended.
Attention	Amber blinking	The library has detected a condition for which user attention is necessary, but that the library can still perform most operations.
Error	Amber	An unrecoverable tape drive or library error occurs. A corresponding error message is displayed on the OCP screen. User intervention is required; the library is not capable of performing some operations.

NEOxI 80 OCP Menu

The OCP Home screen has six menu categories that are covered in detail in this chapter.



The OCP provides a subset of menu items compared to the full capability of the RMI.

- Open a Mailslot
- Open a Magazine
- Configuration [see Configuration Menu]
 - System
 - Save/Restore Configuration
 - Date/Time Format
 - Media Barcode Compatibility Check
 - Allow Unlabeled Media

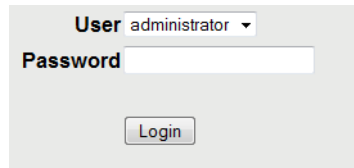
- Mailslots
- Drives
- Network
- User Accounts
- Configuration Wizard
- Maintenance [see Maintenance Menu]
 - Software Upgrades
 - System Firmware
 - Drive Firmware
 - Customization
 - View Logs
 - Download Logs
 - System Reboot
 - Library Tests
 - System Test
 - Slot-to-Slot Test
 - Wellness Test
 - Robotic Test
 - OCP Test
 - UID LED Control
 - Move Robot to Base Module
 - Support Information
- Operation [see Operation Menu]
 - Move Media
 - Clean Drive
 - Open Mailslot
 - Open Magazine
 - Rescan
 - Force Drive Media Eject
 - Unlock Multiple Magazines
- Status [see Status Menu]
 - Library Status
 - Cartridge Inventory
 - Partition Map
 - Drive Status
 - Network Status
- Logout (see Logout)

Log Into The Library (via OCP)

To log in to the library using the front panel OCP:

1. If the OCP screen saver is on, press **Enter** to display the **Login** screen.

- From the drop-down **User** list, select the type of **user**.



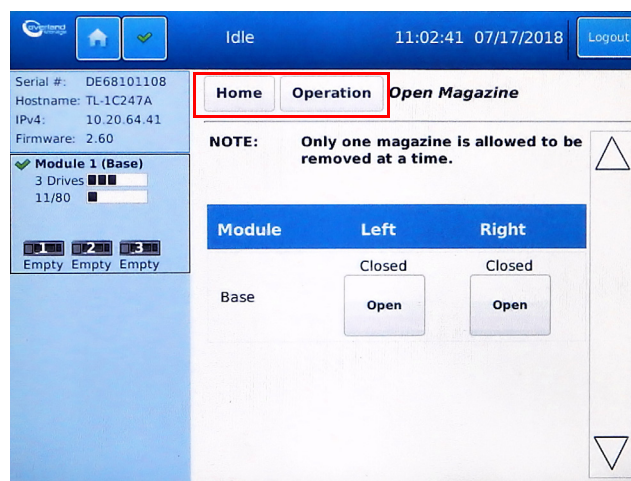
- If required, enter the **PIN**.
- Press the **Login** button.

Change Settings Procedure

The OCP is a color touchscreen that you navigate using the on-screen buttons. Blue buttons indicate active options for the type of user selected.

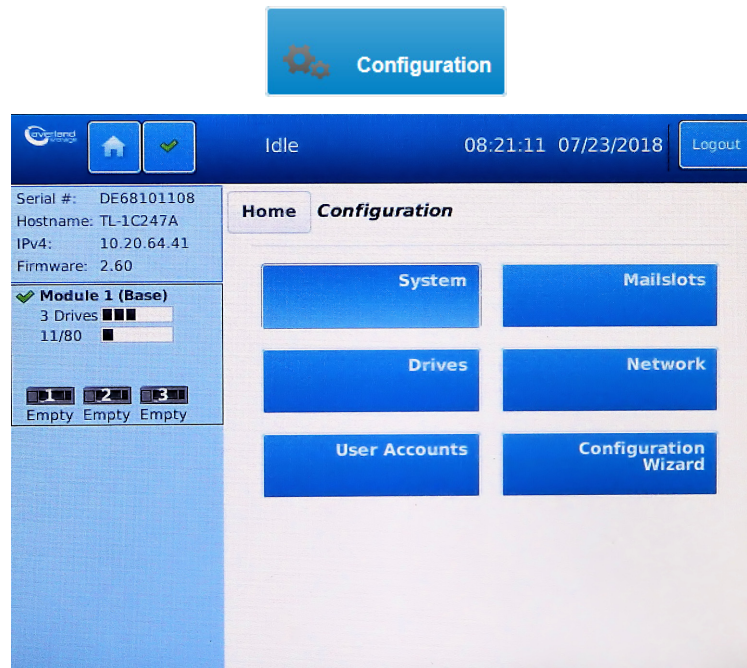


- To make changes, press an option button. A subscreen opens with more option/procedural buttons and information.
- To return to a higher level of options, press one of the option buttons at the top of the screen or the **Cancel** button.



Configuration Menu

Press the **Configuration** button on the Home screen.



The Configuration Menu provides the following submenus:

- [System](#)
- [Mailslots](#)
- [Drives](#)
- [Network](#)
- [User Accounts](#)
- [Configuration Wizard](#)

System

The OCP **Configuration > System** screen has these options:

- **Save/Restore Configuration** – Save the library configuration settings to a file or restore the settings. Also permits the resetting of the library, the list of known drives and modules, and the hardware configuration.
- **Date/Time Format** – Choose a timezone, format, and current settings for the time and date.
- **Media Barcode Compatibility Check** – Enable or disable the checking of media barcodes.
- **Allow Unlabeled Media** – Allow or disallows unlabeled media.

Save/Restore Configuration

From the **Configuration > System > Save/Restore Configuration** screen you can save the library configuration settings to a file, restore the settings, or reset the library configuration to the default settings. The saved configuration database will make it easier it recover the library configuration if you need to replace the Base Module or Base Module controller.

To save a configuration file:

1. Navigate to **Configuration > System > Save/Restore Config**.
2. If necessary, press the **Save Configuration File** bar to open it.
3. Insert a **USB flash drive** into one of the USB ports on the Base Module.
4. Under **Save Configuration File**, press **Save**.
5. When the option buttons appear, press **Download**.
When done, a confirmation screen briefly appears and then you are returned to the **Save/Restore** screen.

To restore a previously saved configuration file:

NOTE: When restoring the configuration file from a USB device, copy the configuration file you want to restore onto the USB device and remove any other configuration files from the USB device.

1. Navigate to **Configuration > System > Save/Restore Config**.
2. Press the **Restore Configuration File** bar to open it.
3. Insert a **USB flash drive** containing the previously saved configuration into one of the USB ports on the Base Module.
4. Press the **Upload File & Restore** button that appears in the **Restore** section.
This starts the uploading process and restores the configuration file from the system running the RMI. A messages show the upload and library reboots. Once the library comes back online, you need to log back into the OCP.

To reset the library configuration to its default settings:

1. Navigate to **Configuration > System > Save/Restore Config**.
2. Press the **Reset Default Settings** bar to open it.
3. Press **Reset Default Settings**.
For information on the default settings, see [Default Settings on page 199 in Appendix C, "Technical Specifications."](#)

To reset the List of Known Drives and Modules:

1. Navigate to **Configuration > System > Save/Restore Config**.
2. Press the **Reset the List of Known Drives and Modules** bar to open it.
3. Press **Reset**.
This feature does a re-discovery of installed hardware components. During this discovery, any modules and drives that are no longer in the library stack are removed from the list.

To reset the hardware configuration:

1. Navigate to **Configuration > System > Save/Restore Config**.
2. Press the **Reset Hardware Configuration** bar to open it.
3. Press **Reset**.

Date/Time Format

NOTE: The library does not adjust its time for daylight savings time. The time must be adjusted manually.

To configure date and time format parameters and use an SNTP server, navigate to **Configuration > System > Date and Time Format**.

To set the time zone for the library clock:

1. If necessary, press the **Time Zone** bar to open the option.
A list of continents, countries, and regions is displayed.
2. To select a **location** from the list:
 - a. Touch the **left list** of the three lists shown.
A larger version of the list is shown for easier selection.
 - b. Select a **location** from the list displayed.

NOTE: When an item is preceded with a greater than (>) symbol (for example, > America), when it is selected, a submenu of locations is displayed in the next column.
 - c. If an expanded time zone list is shown in the next column, repeat **Step b** until a location with the appropriate time zone is visible (no ">") and select that **location**.
3. Press **Submit**.

To set the date and time formats:

1. Press the **Date/Time Format** bar to open the option.

2. From the drop-down list, select a **Time Format**.
Choose either **12 hours (hh:mm:ss am/pm)** or **24 hours (hh:mm:ss)**.
3. From the drop-down list, select a **Date Format**.
For example, depending on the format selected, June 30, 2021 is displayed as:
 - **DD.MM.YYYY** – “30.06.2021”
 - **MM/DD/YYYY** – “06/30/2021”
 - **YYYY-MM-DD** – “2021-06-30”
4. Press **Submit**.

To set the library clock to the current date and time:

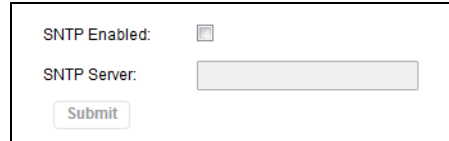
1. Press the **Set Date/Time** bar to open the option.

2. Enter the **time** in the selected format.
Refer to **Step 3** in the previous procedure.
3. Touch the Date field and use the calendar that appears to choose the current **date**.
4. Press **Submit**.

To set the library clock using an SNTP server:

NOTE: The library must have network access to an SNTP (Simple Network Time Protocol) server to set the library clock using an SNTP server.

1. Press the **SNTP** bar to open the option.



The screenshot shows a configuration window with the following elements:

- A label "SNTP Enabled:" followed by a checked checkbox.
- A label "SNTP Server:" followed by an empty text input field.
- A "Submit" button at the bottom left.

2. Check the **SNTP Enabled** box.
3. Touch the SNTP Server field and enter the **SNTP Server IP** address.
4. Press **Submit**.

Media Barcode Compatibility Check

To enable or disable the barcode media ID check, navigate to **Configuration > System > Media Barcode Compatibility Check**. The default is enabled. To disable, uncheck the option box and press **Submit**.

When the **Barcode Media ID Restriction** box is checked, the library only allows tape cartridges with the appropriate barcode media ID (the last two characters of the barcode) to be loaded into tape drives. For example, an LTO-8 labeled cartridge is not allowed to be moved into an LTO-7 tape drive.

When disabled, the library moves any tape into any tape drive. If the cartridge is incompatible with the tape drive, the library displays an error message.

NOTE: It is strongly recommended that ALL cartridges have barcode labels with the correct media ID, and that the Barcode Media ID Restriction is enabled.

Allow Unlabeled Media

To allow or disallow cartridges without labels from being used in the library, navigate to **Configuration > System > Allow Unlabeled Media**. The default is disallowed. To allow, check the option box and press **Submit**.

Mailslots

The **Configuration > Mailslots** screen has these options:

The OCP **Configuration > Mailslots** screen lists each of the mailslots and shows the status.

To change a mailslot state, press the status button on the far right for the appropriate mailslot and then press **Submit**. Slots not enabled as mailslots are available as storage slots.

To determine the automatic mailslot relock time, using the drop-down menu, select either **30 seconds (default)** or **5 minutes**, and then press **Submit**.

Drives

Use the OCP **Configuration > Drives** screen to view and modify drive settings.

Drive information is shown in the option bar:

- **Drive number** – Drives are numbered from the bottom of the library up beginning with one. The drive currently hosting the SCSI communication for the library is designated with (LUN).
- **Serial Number (S/N)** – The serial number assigned to the tape drive by the library. This serial number is reported to host applications. The serial number cannot be modified.
This is not the serial number assigned to the drive by the manufacturer. That serial number is shown in **Manufacturer S/N**.
- **LTO generation** – The supported version of the LTO drive:
 - **LTO-6** – LTO-6 Ultrium Tape Drive
 - **LTO-7** – LTO-7 Ultrium Tape Drive
 - **LTO-8** – LTO-8 Ultrium Tape Drive
 - **LTO-9** – LTO-9 Ultrium Tape Drive
- **Drive form factor:**
 - **HH** – Half height
- **Drive interface:**
 - **FC** – Fibre Channel

- **SAS** – Serial Attached SCSI
- **(Modified)** – When this text is present, it indicates that one or more settings have been changed. To apply the changes, press **Submit**. To reset all changed fields to their previously saved values, press **Undo**.
- **Power Status (Pwr:)** – Indicates whether the drive is currently powered ON or OFF.

Additional information is shown below the option bar:

- **Firmware** – The version of firmware currently installed on the drive.
- **Manufacturer S/N** – The serial number assigned to the drive when it was manufactured. Use this serial number when working with Technical Support.

Configurable options:

- **Power On** – Box is checked when the drive is ON. Uncheck the box to power off the drive.

NOTE: Always power off a tape drive before removing it from the library or moving it to a new location within the library.

To apply the changes, press **Submit**. To reset all changed fields to their previously saved values, press **Undo**.

Network

The OCP **Configuration > Network** option is used to configure the following items:

- [General Network Settings](#)
- [Primary Network Port](#)
- [Secondary Network Port](#)
- [Reset Internal IP Range](#)

General Network Settings

The Host Name and Domain Name that was configured with the Initial Configuration wizard are used to access the RMI is in the form:

“<Host Name>.<Domain Name>”

To change these settings:

1. Navigate to the **Configuration > Network** screen.
2. At the top, update the **Host Name** and **Domain Name**.
3. Press **Submit**.

Primary Network Port

Use these settings to change the primary port's configuration.

1. With the **Primary Network Port** option opened, use the two drop-down menus to select the following:
 - **Protocol** – Select either **IPv4**, **IPv6**, or **IPv4 & IPv6**.
 - **Max. Link Speed** – Select either **10 Mbit**, **100 Mbit**, or **1 Gbit (default)**.
2. Based on the Protocol setting selected, use the **IPv4** and/or **IPv6** sections to configure the **protocol settings**.

To have the library obtain an IP address from a DHCP server instead of a Static IP address, select the **DHCP (IPv4)** or **Stateless (IPv6)** method.

3. Press **Submit**.

Secondary Network Port

If a secondary network port is used, open the **Secondary Network Port** option, check the **Port Enabled** box, and configure the same options as used for the Primary Network Port.

Reset Internal IP Range

NOTE: Only reset the internal IP range if you are using the same range in your network environment.

To reset the internal IP range, open the **Reset Internal IP Range (in case of conflict)** bar and press **Submit**.

For internal communication between modules the tape library uses an Ethernet connection with an internal IP address range. To prevent any conflict between the internal IP address range and the external IP addresses, it is necessary to select the internal IP range before the tape library gets connected to the external Ethernet port.

A file which contains the internal IP range is stored on the Base Module backplane (/opt/storage/mfg/stack/network.range and LCM /opt/storage/configuration/network.range).

The file is created through the OCP **IP Range** selection screen when the NEO starts for the very first time or if the library is reset to Manufacturing Defaults. The file can be reset via either OCP or RMI.

The Values must be in the following format:

RANGE=192.0.2

NOTE: The last section of the IP address is not set because it is set internally.

User Accounts

The OCP **Configuration > User Accounts** screen has the following suboptions:

- Enter or change a user password.
- Restrict RMI logins.
- Allow mailslot/magazine access by regular Users.
- Lock OCP/RMI sessions to one user at a time.

To set or change user passwords:

The supported user types are:

- **User** – This account allows access to only the library status information and does not allow access to configuration, maintenance, or operation features. A password is not required for the user account. Setting a user password restricts access to even the status information. The library initially has no User password.
- **Administrator** – Setting an administrator password provides restricted access to the administrator functions of the RMI. The library initially has a default administrator password **adm001**.

1. At the top of the screen, use the drop-down menu to select either **User** or **Administrator**.
2. Touch the **New Password** field and enter a password.
The password must contain 8-16 characters, which can include upper- and lower-case letters, numbers, and special characters.
3. Touch the **Repeat Password** field and reenter the password.

4. Press **Submit**.

To restrict RMI logins:

The Administrator can set login restrictions for Administrator login. If the restriction mode is enabled, an Administrator is not allowed to login via RMI. The Administrator can only disable the restriction mode through the OCP. Only the Administrator is allowed to set and reset the restricted RMI login.

Touch to check the **Restricted Remote Management Interface (RMI) Login** box and press **Submit**.

To allow mailslots or magazines to also be accessed by regular Users:

Touch to check the boxes to allow regular Users access to the mailslots and magazines and press **Submit**.

To lock OCP/RMI sessions to one user at a time:

Touch to check the **OCP/RMI Session Locking** box and press **Submit** to allow only one OCP or RMI session at a time by an Administrator.

Configuration Wizard

The Initial Configuration wizard guides you through setting up the library network configuration, configuring the date and time, and setting the administrator PIN. You can skip items and stop the wizard at any time. When you have configured the network settings, you can initiate the wizard from the RMI to complete the remaining configurations.

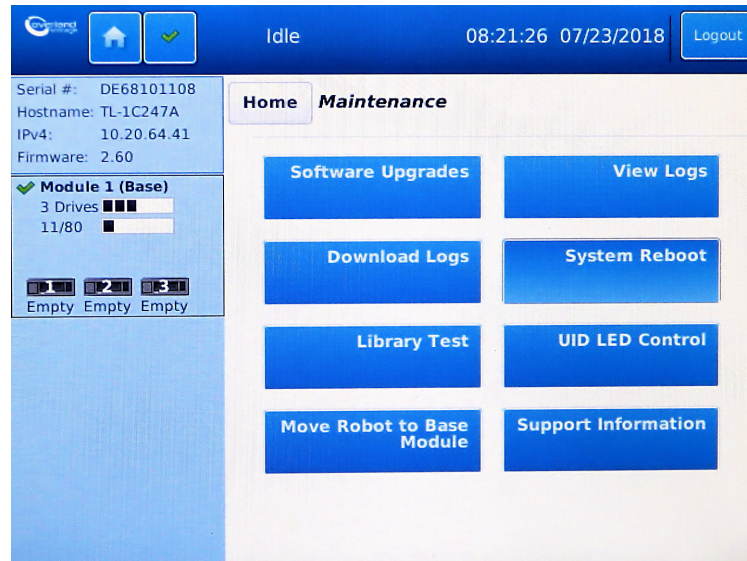
NOTE: On the very first power up of the library, the user is prompted to run the Initial Configuration wizard. It is recommended to go completely through the wizard and finish the initial configuration by choosing **Finish**. Otherwise, with every login on the OCP screen, the user is prompted again to go through the wizard.

Once the network settings have been configured, you can initiate the wizard from the RMI to complete the remaining settings. The very first time you use the RMI, logon as the User “**administrator**” with the default administrator password “**adm001**”.

Maintenance Menu

Press the **Maintenance** button on the Home screen.





The Maintenance Menu provides the following submenus:

- [Software Upgrades](#)
- [View Logs](#)
- [Download Logs](#)
- [System Reboot](#)
- [Library Test](#)
- [UID LED Control](#)
- [Move Robot to Base Module](#)
- [Support Information](#)

Software Upgrades

Library and drive firmware can be upgraded to the latest version. Customization of the library is also available from this screen.

The OCP **Maintenance > Software Upgrades** screen has these options:

- [System Firmware](#)
- [Drive Firmware](#)
- [Customization](#)

System Firmware

The firmware version currently installed on the library is displayed on this screen.

To update library firmware from the OCP:

1. Insert a USB flash drive containing the firmware file (.FBI) into one of the USB ports.
2. Press **Upgrade from USB**.

NOTE: When you update the library firmware, the library also updates the firmware of any expansion modules to a compatible version.

Drive Firmware

Drive firmware can be updated on multiple drives of the same type at the same time. Each drive only accepts the appropriate firmware for that type of drive.


NOTE: To see the firmware version currently installed on the drives, navigate to the **Maintenance > Software Upgrades > Drive Firmware** screen and expand the drive option bar. The current firmware is shown in the table for those drives.

To update drive firmware from the OCP:

NOTE: Only one drive type at a time can be selected for upgrading its firmware.

1. Insert a USB flash drive containing the **drive firmware file** into one of the USB ports.
2. Navigate to the **Maintenance > Software Upgrades > Drive Firmware** screen.
The tape drives are organized by drive type.
3. Touch the appropriate drive type option bar to expand it and select one or more of the **tape drives** of that type to update.
To select all drives of that type, touch the box on the left in the table title bar.
4. Press **Next**.
5. Press **Choose File**, and then select the **file** from the USB.
6. Press **Submit**.

Customization

 **IMPORTANT:** This option is for Factory use only.

Insert a USB flash drive containing the **customization file** into one of the USB ports and press **Start Customization**.

View Logs

To view the library log files, navigate to the **Maintenance > View Logs** screen.

Use the drop-down menu on the right to choose a **type of log**. Available log types are:

- **Event Ticket Log** – Records library error and warning events. The log entries contain a ticket number, date and time code, event code, description, current event state, component type, component identifier, and severity.
- **Information Log** – Records library information warnings. The log entries contain a date and time code, event code, and description.
- **Configuration Log** – Records configuration changes. The log entries contain a date and time code, event code, and description.

The log entries are displayed in order of most recent to oldest. By default, only open logs are shown. To include closed logs, press **Include Closed Tickets**. To close all the open logs, press **Close All Open Tickets**. Press **Clear Log** to remove all events in the Event Ticket log.

The selected log entries are shown in a table using the following layout:

Ticket-No.	Time	Event	Description
State	Component	Component ID	Severity

The format for the Time code is:

DD.MM.YYYY (Day . Month . Full_Year)
HH.MM.SS (Hour . Minute . Second)

To scroll the list, either press or press-and-hold the Up and Down arrows in the scroll bar on the right side of the table.

To view a specific log:

1. Select a **log type** from the drop-down list.
2. Scroll down the log table to locate the **log**.
3. Press the log table **entry** to open a viewing pane.
 - If desired, press **Close Ticket** to close that entry.
 - Otherwise, press **Close** to close the viewing pane.

Download Logs

NOTE: Only one drive at a time can be selected for downloading its log.

From the OCP **Maintenance > Download Logs** screen you can download a support ticket from the library or any of the tape drives.

To download a drive log:

1. If necessary, expand the **Drive Logs** list by touching the option bar.
 The list displays:
 - **Drive** – The drive number. Drives are numbered starting with the one at the physical bottom of the library up to the top.
 - **Type** – The drive manufacturer, LTO version, form factor (half height or full height), and interface (FC or SAS).
 - **Firmware** – The current drive firmware version number.
 - **Serial** – The drive serial number.
 - **Module** – The module containing the tape drive.
 - **Partition** – The logical library associated with the tape drive.
2. Select a **drive** by pressing the box next to it.
 Selecting a different drive clears the previous drive selection.
3. Once a drive is selected, use the drop-down menu above the table title bar to select the type of **log** (DMP file) to download:
 - **Regular Dump** – This option downloads a regular dump file for the tape drive.
 - **Forced Dump** – This option downloads a forced dump file for the tape drive.
4. Press **Save**.
 The process may take up to 10 minutes. When done, the **Download** and **Cancel** buttons appear.
5. Press **Download** and select whether to open or save it.

To download a library log:

1. Expand the **Library Logs** list by touching the option bar.
2. Press **Save**.

System Reboot

To reboot the library from the OCP, navigate to the **Maintenance > System Reboot** screen and then press **Reboot**.

This starts the reboot process with messages showing as the library reboots. Once the library comes back online, you need to log back into the OCP.

Library Test

The OCP **Maintenance > Library Test** screen has these options:

- [System Test](#)
- [Slot-to-Slot Test](#)
- [Wellness Test](#)
- [Robotic Test](#)
- [OCP Test](#)

System Test

The **System Test** exercises overall library functionality by moving cartridges within the library.

- During each cycle the library moves a cartridge from a full slot to an empty drive and then returns it to its original slot. You can select the number of cycles for the test. If the test is canceled, the library returns the cartridge to its original slot.
- The library does not move cleaning cartridges during the test.
- The test operates over the whole library and does not take into account partition configuration.
- During the test the library is offline.

To run the test:

1. Navigate to the **Maintenance > Library Test > System Test** screen.
2. Select the **number of cycles**.
3. For the media, select if it is a **Seating** or **Threading** test.
4. Press the **Start Test** button that appears.

Slot-to-Slot Test

The **Slot-to-Slot Test** randomly exchanges cartridges between slots to verify that the library is operating correctly.

- At the end of the test the cartridges are NOT returned to their original slots.
- If a tape is moved to an incompatible drive, the drive will reject the tape, as designed.
- The test operates over the whole library and does not take into account partition configuration.
- During the test the library is offline.

NOTE: For service and diagnostics, use the [Robotic Test](#) (see [Robotic Test](#) on page 64).

To run the test:

1. Navigate to the **Maintenance > Library Test > Slot-to-Slot Test** screen.

2. Select the **number of cycles**.
3. Press the **Start Test** button that appears.

Wellness Test

The **Wellness Test** exercises a general health check on library functionality by running the following partial tests:

- **Basic Hardware Review**
- **Robotics Initialization**
- **Barcode Scanning Test**
- **Magazine/Mailslot Unlock Motor Test**
- **Move Media Test**

Running the test requires **each module** to have:

- At least one enabled and functional drive.
- One cartridge with a barcode label.

After the test has been started, the **Stop Test** button is active. Pressing the button aborts the **Wellness Test** but not before the current partial test has been completed.

- The test operates over the whole library and does not take into account partition configuration.
- During the test the library is offline.

The **Info** column notifies the user about the status and result of each partial test (**Info** and **Done** columns in table).

To run the test:

NOTE: For quickest test execution, it is recommended to have one functional drive in each module and eight compatible cartridges in the corner slots of the same module.

1. Navigate to the **Maintenance > Library Test > Wellness Test** screen.
2. Press **Start Test**.

Robotic Test

The **Robotic Test** exercises all Robotic Assembly movements and sensors. During the test the library is offline.

To run the test:

1. Navigate to the **Maintenance > Library Test > Robotic Test** screen.
2. Press **Start Test**.

OCP Test

The **Maintenance > Library Test > OCP Test** exercises functionality of the front panel LEDs or resets the contrast and brightness of the OCP LCD display.

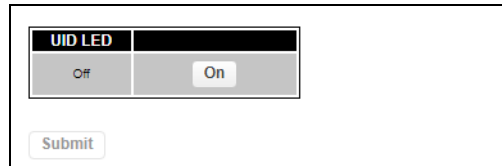
To start a test/reset, select it from the drop-down menu, and press **Start**.

- **LED Test** – Switches every LED on/off sequentially left to right and right to left. During the test, the library is offline.

- **Touch Panel Calibration** – The TSLIB Utility runs that calibrates the touchscreen. Press each of the five cross-hairs (four corners and center) that appear.
When done, you must log back into the OCP.

UID LED Control

The UID LEDs are a pair of blue LEDs—one on the front OCP and the other on the Base Module controller in the rear. The UID LEDs are useful for identifying the library in a data center. From the OCP **Maintenance > UID LED Control** screen, you can toggle the status ON and OFF.



To select and switch on the UID LEDs:

1. Navigate to the OCP **Maintenance > UID LED Control** screen.
2. Select the **components** where you want to switch on the UID LEDs.
3. Press **On** and then press **Submit**.
4. When done, press **Off** and then press **Submit**.

Move Robot to Base Module

Before extending or removing a module from the rack, the Robotic Assembly must return to its park position in the Base Module.

NOTE: Under normal circumstances, when the library is powered off using the front power button, the robot automatically parks and locks in the Base Module behind the OCP.

If the library did not move the Robotic Assembly to its park position, you can do so from the OCP **Maintenance > Move Robotic to Base Module** screen.

To move the robotic assembly back to the Base Module:

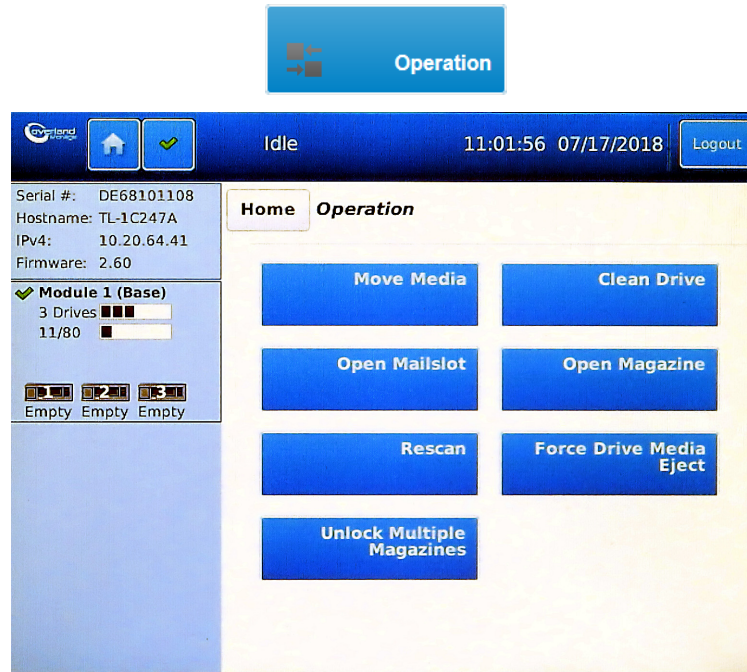
1. Navigate to the OCP **Maintenance > Move Robot to Base Module** screen.
2. Press **Submit**.
Look inside the Base Module window to verify that the Robotic Assembly is behind the OCP.

Support Information

The **Maintenance > Support Information** screen shows how to obtain technical support for your NEO Tape Library either online or via telephone.

Operation Menu

Press the **Operation** button on the Home screen.



The Operation button provides the following submenus:

- [Move Media](#)
- [Clean Drive](#)
- [Open Mailslot](#)
- [Open Magazine](#)
- [Rescan](#)
- [Force Drive Media Eject](#)
- [Unlock Multiple Magazines](#)

Move Media

Using the OCP **Operation > Move Media** screen, you can move a tape cartridge located in a source element to an available destination element within the same partition (for example, from a mailslot to a drive).

- **Source Elements** – Enabled mailslots, tape drives, and storage slots (in that order) that contain a tape cartridge.
- **Destination Elements** – Enabled mailslots, tape drives, and storage slots that are empty.

Tape drives are listed in numeric order starting with the bottom drive and going upwards.

Mailslots and regular slots are listed in the order of the slot numbers. Slots are numbered *m.s*, where *m* is the module number and *s* is the slot within the module.

To move media between elements in the library:

NOTE: Use the arrow icons on the right to scroll the Element list one screen at a time and the double-arrows to move to the top or bottom of the list. Pressing the plus (+) magnifying glass icon expands the list to fill the screen; the minus (-) version returns you to the normal list screen.

1. Navigate to the **Operation > Move Media** screen.
2. If necessary, select **Source** at the top of the screen.
3. Select the **Source Type**.
Choose from **Slot**, **Drive**, **Mailslot**, or **Barcode**.
4. Press to select the **source Element** in the list.
The selection appears in the **Source** field at the top right.
5. At the top, press **Destination**.
6. Select the **Destination Type**.
Choose from **Slot**, **Drive**, or **Mailslot**.
7. Press the **destination Element** in the list.
The selection appears in the **Destination** field at the top right.
8. Press **Submit**.
A Move in Progress message is shown and the robotics assembly can be seen moving.

Clean Drive

NOTE: Use the arrow icons on the right to scroll the Element list one screen at a time and the double-arrows to move to the top or bottom of the list. Pressing the plus (+) magnifying glass icon expands the list to fill the screen; the minus (-) version returns you to the normal list screen.

From the OCP **Operation > Clean Drive** screen you can initiate a drive cleaning operation.

1. Navigate to the OCP **Operation > Clean Drive** screen.
2. If necessary, select **Source** at the top of the screen.
A list of elements containing cleaning cartridges is shown.

NOTE: The library uses the barcode label (CLNxxxxx) to identify cleaning cartridges. If no cleaning cartridges are available, load one using a mailslot or magazine slot.

3. Select a **cleaning cartridge** from the **Source Elements** list.
The selection appears in the **Source** field at the top right.
4. At the top, press **Destination**.
5. Select the **tape drive** to be cleaned from the **Destination Elements** list.
The selection appears in the **Destination** field at the top right.

NOTE: Tape drives currently containing a cartridge are not listed. To clean a tape drive not listed, move the cartridge out of the drive.

6. Press **Submit**.

Open Mailslot

NOTE: To open more than one mailslot, open one and then the other.

From the OCP **Operation > Open Mailslot** screen you can see the status of and unlock any enabled mailslot in the library.

To open a mailslot, press **Open** for the appropriate mailslot. The library releases the lock and you can then pull the mailslot out of the library to access it.

NOTE: The mailslot relocks after 30 seconds (or 5 minutes if so configured) if it is not opened.

For information about manually opening a mailslot, see [Magazine Manual Release on page 43](#).

The mailslot must be enabled before it can be opened. To enable a mailslot, see [Mailslots Configuration on page 96](#).

Open Magazine

NOTE: Only one magazine can be opened at a time.

From the OCP **Operation > Open Magazine** screen you can unlock any magazine in the library. The magazines are shown in a table by **Module** number, both **Left** and **Right**. The table shows the current status and the button below the status is labeled with the opposite action. For example, a magazine can say “Closed” and **Open** is shown below.

To unlock a magazine, press **Open** for the appropriate magazine. The library releases the lock. You can then pull the magazine out of the library to access the storage slots.

NOTE: Opening a magazine takes the library offline. If not opened, the magazines relock after 30 seconds (or 5 minutes if so configured).

For information about manually opening a magazine, see [Magazine Manual Release](#).

Rescan

To have the library rescan the cartridges, navigate to the OCP **Operation > Rescan Inventory** screen and press **Rescan**. The library changes to Scanning (Offline) status and is unavailable to perform other operations until the scan is complete. This can take several minutes.

Force Drive Media Eject

The **Force Drive Media Eject** operation attempts to force the tape drive to eject the cartridge and place it into an open slot. Access to this feature requires the administrator password.

NOTE: If the drive has difficulty ejecting the cartridge, the media is possibly bad or damaged.

Before performing this option, it is recommended that you attempt to eject the tape using the backup software or library **Move Media** operation. While a drive is being force ejected, a window indicating the process is ongoing should appear. No operations are available until the force eject completes.

NOTE: Use the arrow icons on the right to scroll the Element list one screen at a time and the double-arrows to move to the top or bottom of the list. Pressing the plus (+) magnifying glass icon expands the list to fill the screen; the minus (-) version returns you to the normal list screen.

1. Navigate to the OCP **Operation > Force Drive Media Eject** screen.
2. If necessary, select **Source** at the top of the screen.
A list of drives containing media is shown.

3. Select a **drive** from the **Source Elements** list.
The selection appears in the **Source** field at the top right.
4. At the top, press **Destination**.
5. Select an element from the **Destination Elements** list.
The selection appears in the **Destination** field at the top right.
6. Press **Submit**.

Unlock Multiple Magazines

NOTE: Only one magazine can be opened at a time.

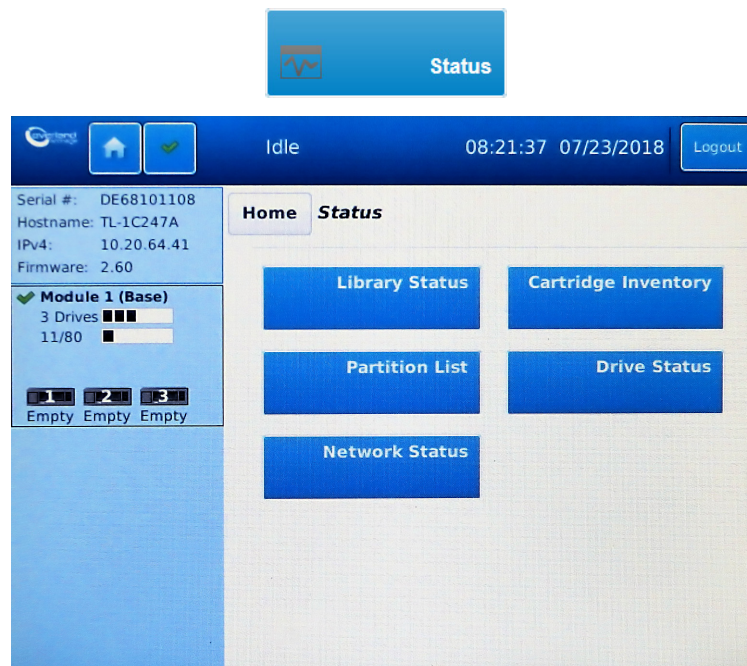
A wizard is provided to unlock multiple magazines, programmed to open one after the other. This simplifies loading and unloading multiple cartridges at one time. If you need to, you can press **Cancel** at any time.

1. Navigate to the OCP **Operation > Unlock Multiple Magazines** screen.
2. Using the **Back** and **Next** buttons, select the magazines and the order you want them opened.
3. When done, press **Finish** to start the process.

Once started, you have 20 seconds to open a magazine. When that magazine is closed, the next 20 seconds start. Failure to open a magazine within the 20 seconds aborts the procedure.

Status Menu

To view the status the NEO Tape Library and its components with the OCP, press the **Status** button on the Home screen.



The Status Menu provides the following submenus:

- [Library Status](#)
- [Cartridge Inventory](#)
- [Partition Map](#)
- [Drive Status](#)
- [Network Status](#)

Library Status

A summary of library information and status is displayed in the Left Pane. For additional library module configuration and status information navigate to the **OCP Status > Library Status** screen.

▲ Library Information			
Vendor:	BDT	Product ID:	MULTISTAK
Serial Number:	DE68101108	Firmware Revision:	2.60
Robotic Hardware Revision:	1	Robotic Firmware Revision:	2.02
Barcode Reader Hardware Revision:	SE-625	Barcode Reader Firmware Revision:	PAAAMC00-002-N09D0
WWide Node Name:	5000E111C247A000		
▲ Library Status			
Library Status:	Idle	Total Power On Time:	1266d 5h 2m
Cartridge in Transport:	None	Odometer:	365
Robotic Location:	Module 1 (Base)	Shipping Lock:	Unlocked
▲ Module 1 (Base)			
Base Controller Revision:	LCM3-05 / 0	Power Supply Status:	OK
Lower Power Supply Fan:	OK	Upper Power Supply Fan:	OK
Left Drive Power Board:	OK	Right Drive Power Board:	OK
Chassis Fan:	OK		
<input type="button" value="Refresh"/>			

There are three areas on this screen:

- [Library Information](#)
- [Library Status](#)
- [Module Status](#)

Library Information

If necessary, touch the option bar to view the following items listed in this section.

- **Vendor**
- **Product ID**
- **Serial Number** – Library serial number.
- **Firmware Revision** – Version of the currently installed library firmware.
- **Robotic Hardware Revision**
- **Robotic Firmware Revision** – Version of the currently installed Robotic Assembly firmware. The Robotic Assembly firmware is bundled and installed with the library firmware.

- **Barcode Reader Hardware Revision**
- **Barcode Reader Firmware Revision** – Version of the currently installed barcode reader firmware. The barcode reader firmware is bundled and installed with the library firmware.
- **WWide Node Name** – World Wide Node Number.

Library Status

If necessary, touch the option bar to view the following items listed in this section.

- **Library Status** (matches the status in the **Top Banner**).
 - **Idle** – The library robotic is ready to perform an action.
 - **Moving** – The library robotic is moving a cartridge.
 - **Scanning** – The library robotic is performing an inventory of cartridges.
 - **Offline** – The library robotic has been taken offline by the library.
- **Total Power On Time** – Total time that the Base Module has been powered on since it was manufactured.
- **Cartridge in Transport** – When applicable, displays the barcode label of the cartridge currently in the Robotic Assembly.
- **Odometer** – Robotic assembly move count.
- **Robotic Location** – Displays the module where the robotic is currently located.
- **Shipping Lock** – Indicates whether the robotic is unlocked or locked for shipment.

Module Status

Each installed module shows an individual status. If necessary, touch the option bar to view the following items listed in this section.

- **Base/Expansion Controller Revision** – Hardware revision of the controller board currently installed in the module selected.
- **Power Supply Status** – Displays the status of power redundancy.
- **Lower Power Supply Fan** – Displays the status of the power supply fan in the lower PSU bay.
- **Upper Power Supply Fan** – Displays the status of the power supply fan in the upper PSU bay.
- **Left Drive Power Board** – Status of the Drive Power Board (DC-DC converter) for the drive slots in the module.
- **Right Drive Power Board** – Status of the Drive Power Board (DC-DC converter) for the drive slots in the module.
- **Chassis Fan** – Shows the status of the cooling fan for the chassis.

You can press **Refresh** to update the statuses.

Cartridge Inventory

To see the library slots, cartridges and drives organized by module, navigate to the **OCP Status > Cartridge Inventory** screen. From there, select either **Graphical View** or **List View** of elements. Both inventory view options display each of the elements with information about any cartridge stored in the slot or drive.

NOTE: Cartridges stored in unused slots, which are not available for move operations, are grayed out and are not assigned to any partition.

To see a list of the elements organized by module, navigate to **Status > Cartridge Inventory > List View**. The default view is one of all the slot elements.

Module Slot #	Barcode	Full	Gen.	Partition
▲ 1				
1.1	CLN340L1	X	N/A	1
1.2	GLB040L5	X	5	1
1.3				1
1.4				1
1.5				1
1.6	AC0708L5	X	5	1
1.7				1
1.8				1
1.9	AEI690L5	X	5	1
1.10				1
1.11				1
1.12				1

The **List View** displays:

- **Module** – The module number.
- **Slot #**
 - For slots, it shows the slot number (in the form *m.s* where *m* is the module number and *s* is the slot number) showing where the cartridge currently is located.
 - For drives, it shows the drive number (numbered from the bottom upward) showing where the cartridge currently is located.
- **Barcode** – The barcode label (if any).
- **Full** – X if a cartridge is in the slot.
- **Gen.** – LTO generation of the cartridge.
- **Partition** – The partition number.

NOTE: Use the arrow icons on the right to scroll the Element list one screen at a time and the double-arrows to move to the top or bottom of the list. Pressing the plus (+) magnifying glass icon expands the list to fill the screen; the minus (-) version returns you to the normal list screen.

The default view is cartridges in slots. The buttons at the top can filter the display by toggling the view:

Slots or Drives. To limit the list to just tape drives, click **Drives**. Only the drive elements are shown and the button changes to **Slots**. To return to the default slots view, click **Slots**.

Cartridges or Elements. To limit the list to just library elements with cartridges in them, click **Cartridges**. To return to a full list of the elements, empty or full, click **Elements**.

Searching by Barcode Label. To filter the list based on the barcode label, press the Search field, enter barcode characters using the pop-up keyboard, and press **Search**. The characters can be anywhere in the label. The search characters are not case sensitive. There are no wildcards. To disable filtering and show all the slots, press the search text in the Search field. press **Back** on the keyboard, and press **Search**.

Partition Map

To see the elements organized by partition, navigate to the OCP **Status > Partition Map** screen.

NOTE: Cartridges stored in unused slots, which are not available for move operations, are grayed out and are not assigned to any partition.

To see a list of the elements organized by partition, navigate to **Status > Partition Map > List View**. The default view is one of all the slot elements.

Status > Partition Map > Inventory List (Partition View)

Drives Cartridges Group Off

Filter On

Part.	Slot #	Barcode	Full	Gen.	Pos.	Module
▲ 1	Partition S/N: DE68101108_LL01		Name: Partition_1			
	1.1	CLN340L1	X	N/A		1
	1.2	GLB040L5	X	5		1
	1.3					1
	1.4					1
	1.5					1
	1.6	AC0708L5	X	5		1
	1.7					1
	1.8					1
	1.9	AEI690L5	X	5		1
	1.10					1
	1.11					1
	1.12					1

The layout and features are the same as for the [Cartridge Inventory on page 71](#). The list grouping is by partition instead of module.

Drive Status

The OCP **Status > Drive Status** screen shows the configuration and status of each drive installed in the library.

Status > Drive Status

▲ 1	S/N: 11C38DE05B	IBM LTO 7 HH FC	✔	Idle	On
-----	-----------------	-----------------	---	------	----

Vendor:	IBM	Personality:	00 19
Firmware:	HB83	Manufacturer S/N:	10WT003567
Powered:	On	WWNN:	5000E111C38DE05B
Temperature:	38 °C	Partition:	1 (Library LUN)
Encryption:	Disabled	Cartridge:	AE0513L7 (1.3)
IP Address:	N/A	Media Removal:	Allowed
Module Loc:	1	Data Compression:	Enabled
Cooling Fan Status:	Active	Product ID:	ULTRIUM-HH7
SCSI Element Addr:	1		

Port A Status (WWPN: 5000E111C38DE05C)

Speed:	8 Gb/s	Port Type:	Loop (L)
Interface:	Login complete	Loop ID / ALPA:	0x6F / 0x26

Port B Status (WWPN: 5000E111C38DE05D)

Speed:	N/A	Port Type:	N/A
Interface:	No light detected	Port ID:	N/A

Drive information is shown in the option bar:

- **Drive number** – Drives are numbered from the bottom of the library upwards.
- **Serial number** – The serial number (S/N) assigned to the tape drive by the library that is reported to host applications. The serial number cannot be modified.
- **Vendor/LTO Generation/Form Factor/Interface** – Basic drive information.
- **Library Health** – An icon indicating the overall health status of the library.
- **Drive Status** – The current drive activity.
- **Power Status** – Indicates whether the drive is currently powered ON or OFF.

If necessary, click the drive option bar to open it. The **Drive Status** page shows:

- **Vendor**
- **Firmware** – The version of firmware currently installed on the drive.
- **Powered** – Indicates whether the drive is currently powered ON or OFF.
- **Temperature**
- **Encryption** – Indicates whether the drive is configured for encryption using the KMIP License.
- **IP Address**
- **Module Loc** – Module Location. Shows where the drive is located to help in multiple module configurations.
- **Cooling Fan Status** – Drive cooling fan status.
- **SCSI Element Addr**

- **Personality** – Unique to OEM vendors of the tape drive. This is determined by the firmware used. It is needed should Tech Support request the info.
- **Manufacturer S/N** – The serial number assigned to the drive when it was manufactured. Use this serial number when working with Technical Support.
- **WWNN** – The drive World Wide Node Number.
- **Partition** – Number of the partition. If the partition is contains the drive currently hosting the SCSI communication for the library, it is designated with “(Library LUN).”
- **Cartridge** – The barcode of a cartridge if one is in the drive.
- **Media Removal** – Allowed or Disallowed. Many host applications prevent media removal while accessing the cartridge in the tape drive. If Disallowed, the drive is locked and the user is not able to move or unload the cartridge from the drive either through the OCP or RMI. The user must use the backup app to release the drive.
- **Data Compression** – Enabled or Disabled. Indicates whether the drive is using data compression.
- **Product ID**

After the horizontal bar, the port information is shown:

For FC drives:

- **Speed** – Shows **2 Gb/s**, **4 Gb/s**, or **8 Gb/s**.
- **Port Type** – Either **Loop (type)** or **Fabric**.
- **Interface** – Shows the status of the interface such as **Login complete** or **No light detected**.
- **Loop ID / ALPA** or **Port ID**

For SAS drives:

- **Speed** – Shows **1.5 Gb/s**, **3 Gb/s**, **6 Gb/s** or **12 Gb/s**.
- **Interface** – Shows either **Connected** or **Not Connected**.

Click **Refresh** to update the status. Click **Expand All** to expand all partition data sections. Once expanded, click **Collapse All** to collapse all drive data sections to just option bars.

Network Status

The OCP **Status > Network Status** screen shows the configuration and status of the network to which the library is attached.

Status > Network Status

Host Name: TL-1C247A
 Domain Name: devnet.myoverland.net
 Protocol: IPv4

▲ General Network Settings

MAC Address:	00:0e:11:1c:24:7a	Link Status:	Enabled
Link Speed:	100 Mbit/s	Duplex:	Enabled

▲ IPv4

DHCP:	Disabled		
Address:	10.20.64.41	Netmask:	255.255.0.0
Gateway:	10.20.8.1		
DNS 1:	10.1.8.155	DNS 2:	

If necessary, touch the option bars to open them to show all the information:

- **Host Name** – Library hostname.
- **Domain Name**
- **Protocol** – IPV4 or IPv6.
- **General Network Settings**
 - **MAC Address** – A unique identifier for the library controller network interface in the format **xx:xx:xx:xx:xx:xx**.
 - **Link Status** – **Enabled** or **Disabled**.
 - **Link Speed** – The speed (Mbit/s) of the Ethernet connection to the library.
 - **Duplex** – **Enabled** or **Disabled**.
- **IPv4 settings (if used):**
 - **DHCP** – When DHCP is enabled, the library requests an IP address from a DHCP server each time the library is powered on.
 - **Address** – IP address in use by the library. If DHCP is enabled, this address was obtained from the DHCP server. When DHCP is not enabled, the address was configured (static).
 - **Netmask** – The network mask of the library controller used when DHCP is not enabled.
 - **Gateway** – The gateway used when DHCP is not enabled.
 - **DNS 1** – IP address of the primary DNS server.
 - **DNS 2** – IP address of the secondary DNS server.
- **IPv6 settings (if used):**
 - **Stateless Addressing** – When enabled, the device generates an address for itself based on the routing information obtained from a router advertisement and the MAC address. The device can manage up to five global addresses at the same time, which can be assigned from different routers.
 - **Static Addressing** – When enabled, the library uses a statically-configured address.
 - **Static Assigned Address** – The IPv6 address when **Static Addressing Enabled** is **On**.

Logout

Press the **Logout** button on the upper-right of the Home screen.

Remote Management Interface

The Remote Management Interface (RMI) is a web interface for NEO that provides access via a browser to all the library configurable features, includes online help, and is easier to use than the OCP. However, the RMI is not required to use the product, except to configure advanced features, such as SNMP, IPv6, encryption, and partitions.

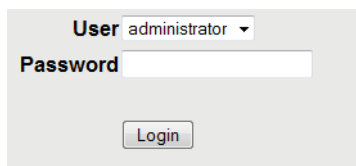
Before using the RMI, you must use the OCP to configure the library network settings and set the administrator password. This is normally done when the library is started for the first time (see [Initial Setup Using the OCP Wizard on page 37](#)).

To start the RMI and log into the library, open the latest version of a supported HTML browser and enter the library's IP address in the browser's address bar. Supported browsers include Internet Explorer, Firefox, Chrome, and Safari.

NOTE: Check the online help in the RMI for additional information. The help pages are updated with firmware updates and often contain up-to-date technical details that might not be contained in this document. To access RMI online help, click the question mark icon (?) on the right side of the RMI top banner.

To log in remotely to the library using the RMI:

1. Open a supported web browser and enter the **IP address** of the library in the browser's address bar.
2. From the drop-down list, select the type of **User**.



The image shows a login form with a 'User' dropdown menu currently set to 'administrator'. Below it is a 'Password' input field and a 'Login' button.

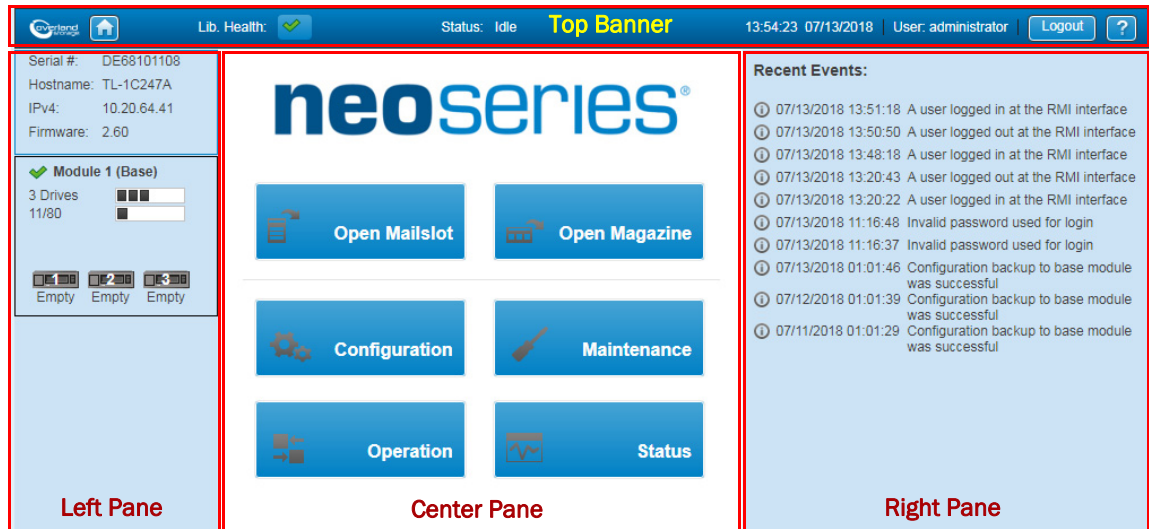
3. If required, enter the **Password**.
4. Click **Login**.

Topics in [Remote Management Interface](#):

- [RMI Layout](#)
- [Home Page Element Details](#)
- [RMI Configuration Options](#)
- [RMI Maintenance Options](#)
- [RMI Operation Options](#)
- [RMI Status Options](#)

RMI Layout

The RMI Home page is organized into the following regions:







- **Top Banner** – Contains the Home, Logout, and Help (?) buttons and displays the overall status and general information about the library and user.
- **Left Pane** – Displays the library identity and module status.
- **Center Pane** – Provides access to operate and configure the library and to view additional status information.
- **Right Pane** – Displays a log of recent events (Home page default) or additional functions when a Center Pane option is selected.

Home Page Element Details

Details for the Top Banner, Left Pane, Center Pane, and Right Pane sections of the RMI default Home page.

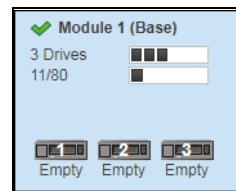
RMI Top Banner Elements

- **Home Icon** () – Click the Home icon to return to the main page.
- **Library Health** – An icon indicating the overall health status of the library.
 - **Status OK Icon** () – The green check mark (✓) icon indicates that all library components are fully operational and that no user intervention is required.
 - **Warning Status Icon** () – The yellow triangle exclamation point (!) icon indicates that user attention is necessary but that the library can still perform most operations. Click the icon to display the event ticket log.
 - **Error Status Icon** () – The red circle X icon indicates that user intervention is required and the library is not capable of performing some operations. Click the icon to display the event ticket log.
- **Status** – The status of the library robotics.
 - **Idle** – The library robotics is ready to perform an action.
 - **Moving** – The library robotics is moving a cartridge.

- **Scanning** – The library robotics is performing an inventory of cartridges.
- **Offline** – The library robotics has been taken off line by the library.
- **Library Time & Date** – Helpful information when analyzing event logs and support tickets, and might be needed when contacting support.
- **User** – The user account logged in for this session.
- **Logout** (Logout) – Logs out of this RMI session and changes view to Login page.
- **Help** (?) – Accesses the library online help.

RMI Left Pane Elements

- **Serial #** – The serial number of the Base Module.
- **Hostname** – The library hostname.
- **IPv#** – The IP version (IPv4 or IPv6) and IP address.
- **Firmware** – The library firmware version.
- **Module Status Overviews** – A summary of each module's configuration and health. Click the module status area to select a different module.



- **Module Health Icon** – An icon that indicates the health of the library (green OK, yellow warning, or red error).
- **Module Number** – Modules are numbered based on their location in the physical library starting with the bottom module as **Module 1**. The Base Module is annotated with **(Base)**.
- **Drive Status** – The number of drives installed in the module, the health of each drive (color code), and a bar indicating the drives installed. Click the drive bar rectangle to display the drive configuration and status information pop-up.
 - **Black Rectangle** - indicates that the drive is fully operational and that no user intervention is required.
 - **Yellow Rectangle** - indicates that user attention is necessary but that the drive can still perform most operations.
 - **Red Rectangle** - indicates that user intervention is required or that the drive is not capable of performing some operations.
- **Magazine Slot Usage** – The slot number in use / total number of cartridge slots available. Click the slot bar on the right to display cartridge inventory and status information (**Status > Cartridge Inventory > List View**).
- **Drive Status** – The current drive activity for each drive in the module. The drive operation status is only displayed for the selected module. Click the drive icon to display the drive configuration and status information pop-up. The text below the icon is the current status:
 - **Write** – The drive is performing a write operation.
 - **Read** – The drive is performing a read operation.
 - **Idle** – A cartridge is in the drive but the drive is not performing an operation.
 - **Empty** – The drive is empty.

- **Encrypt** – The drive is writing encrypted data.

RMI Center Pane Elements

NOTE: When logged in as a general User, the only option available is the blue Status button. The other buttons are inactive and white to indicate Administrator usage only. The Service button is only shown when logged in as Service user.

Oversize buttons are shown that provide links to the following:

- **Open Mailslot** – Click to unlock the mailslot on the selected module. Refer to [Open Mailslot on page 117](#) for details.

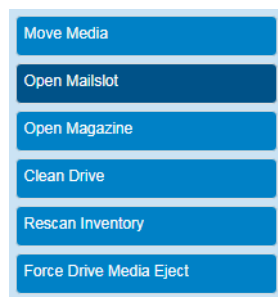
NOTE: Mailslots must be enabled before they can be used. See [Mailslots Configuration on page 96](#) on enabling Mailslots.

- **Open Magazine** – Click to unlock a magazine in the selected module. Only one magazine in the library can be open at a time. Refer to [Open a Magazine on page 117](#) for details.
- **Configuration** – Click to configure the library. See [RMI Configuration Options on page 82](#).
- **Maintenance** – Click to access maintenance functions. See [RMI Maintenance Options on page 104](#).
- **Operation** – Click to access operation functions. See [RMI Operation Options on page 115](#).
- **Status** – Click to access status information. See [RMI Status Options on page 119](#).

RMI Right Pane Elements

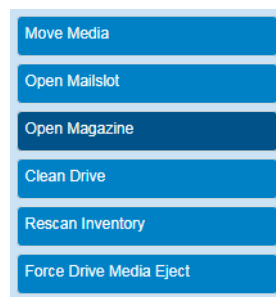
Displays a log of recent events (Home page default) or additional options when a Center Pane option is selected. Options that have suboptions display a double down arrow (▾).

Open Mailslot



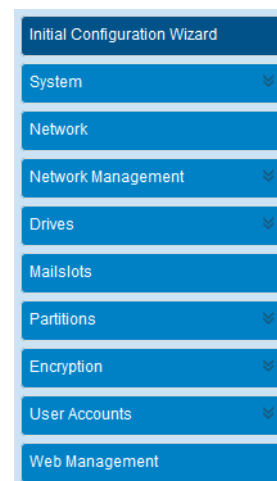
(Same as **Operation > Open Mailslot**)

Open Magazine



(Same as **Operation > Open Magazine**)

Configuration



Maintenance

- Library Tests
- Logs and Traces
- Software Upgrades
- Download Drive Logs
- System Reboot
- Drive Reboot
- UID LED Control
- Move Robotic to Base Module
- Support Information

Operation

- Move Media
- Open Mailslot
- Open Magazine
- Clean Drive
- Rescan Inventory
- Force Drive Media Eject

Status

- Library Status
- Cartridge Inventory
- Partition Map
- Drive Status
- Network Status
- Security

Configuration Suboptions

- System
 - Save/Restore Configuration
 - Date and Time Format
 - Media Barcode Compatibility Check
 - Allow Unlabeled Media
 - License Key Handling
 - RMI Timeout

- User Accounts
 - User Accounts
 - LDAP

- Drives
 - Settings

- Partitions
 - Basic Wizard
 - Expert Wizard

- Encryption
 - KMIP Wizard

- User Accounts
 - User Accounts
 - LDAP

Maintenance Suboptions

- Library Tests
 - System Test
 - Slot to Slot Test
 - Element to Element Test
 - Position Test
 - Wellness Test
 - Robotic Test
 - OCP Test

- Logs and Traces
 - View Logs
 - Download Logs and Traces

- Software Upgrades
 - System Firmware
 - Drive Firmware
 - Customization

Status Suboptions

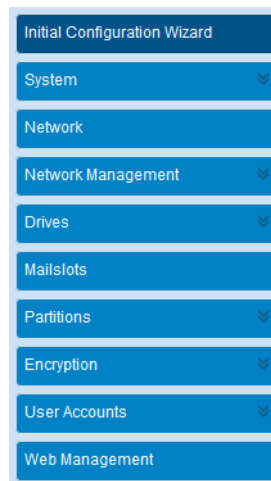
- Cartridge Inventory
 - Graphical View
 - List View

- Partition Map
 - List View
 - Graphical View
 - Configuration Status

RMI Configuration Options



To configure the NEO with the RMI, at the main page click **Configuration**. The **Configuration** page has numerous options in the Right Pane from which to select.



See the following sections for details:

- [Initial Configuration Wizard](#)
- [System Configuration](#)
- [Network Configuration](#)
- [Network Management](#)
- [Drive Configuration](#)
- [Mailslots Configuration](#)
- [Partition Configuration](#)
- [Encryption Configuration](#)
- [User Accounts Configuration](#)
- [Web Management Configuration](#)

Initial Configuration Wizard

This is the same wizard you ran in the OCP when the library was first turned on. If, at a minimum, the network settings have been configured, you can rerun the wizard in RMI to set the administrator password, network configuration, timezone selection, date and time settings, and then update the configuration. Use the **Next**, **Back**, and **Finish** buttons to go through the wizard.

System Configuration

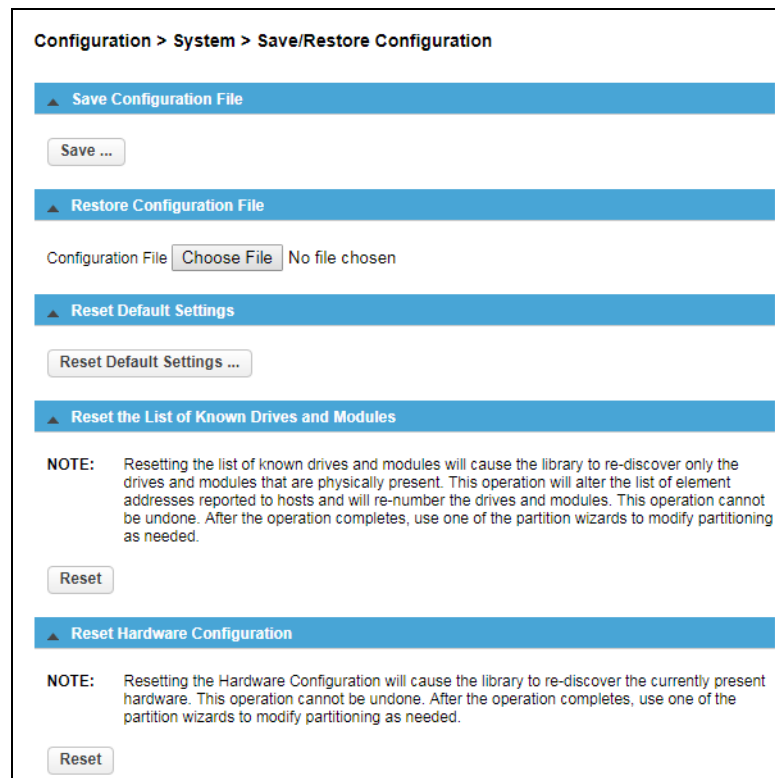
The **Configuration > System** option has the following suboptions:



- [Save/Restore Library Configuration](#)
- [Date and Time Format](#)
- [Media Barcode Compatibility Check](#)
- [Allow Unlabeled Media](#)
- [License Key Handling](#)
- [RMI Timeout](#)

Save/Restore Library Configuration

From the **Configuration > System > Save/Restore Configuration** screen you can save the library configuration settings to a file, restore the settings, or reset the library configuration to the default settings. The saved configuration database will make it easier it recover the library configuration if you need to replace the Base Module or Base Module controller.



To save a configuration file:

1. Navigate to **Configuration > System > Save/Restore Configuration**.
2. For saving the configuration file to a USB device on the library, insert a **USB flash drive** into one of the USB ports on the Base Module.
3. Select the **destination** location:
 - **RMI** – (RMI only) Downloads the configuration file to the browser or system running the RMI.
 - **USB Device Front** - Downloads the configuration file to a USB flash drive inserted into the USB port on the front of the library.
 - **USB Device Rear** - Downloads the configuration file to a USB flash drive inserted into the USB port in the back of the library.
4. Under **Save Configuration File**, click **Save**.
5. When the option buttons appear, click **Download**.
6. Select **Save File** and click **OK** to save the zip file.

To restore a previously saved configuration file:

NOTE: When restoring the configuration file from a USB device, copy the configuration file you want to restore onto the USB device and remove any other configuration files from the USB device.

1. Navigate to **Configuration > System > Save/Restore Configuration**.
2. Click the **Restore Configuration File** bar to open it.
3. For restoring the configuration file from a USB device on the library, insert a **USB flash drive** into one of the USB ports on the Base Module.
4. Select the **destination** location:
 - **RMI** – (RMI only) Restores the configuration file from the computer running the RMI. Click **Browse** to navigate to and select the configuration file.
 - **USB Device Front** - Restores the configuration file from a USB flash drive inserted into the USB port on the front of the library.
 - **USB Device Rear** - Restores the configuration file from a USB flash drive inserted into the USB port in the back of the library.
5. Click **Choose File** to navigate to and select the saved configuration file.
The zip file normally starts with “**sysconf-**”.
6. Click **Open**.
7. Click the **Upload File & Restore** button that appears in the **Restore** section.
This starts the uploading process and restores the configuration file from the system running the RMI. A messages show the upload and library restart. Once the library comes back online, you need to log back in.

To reset the library configuration to its default settings:

1. Navigate to **Configuration > System > Save/Restore Configuration**.
2. Click the **Reset Default Settings** bar to open it.
3. Click **Reset**.
For information on the default settings, see [Default Settings on page 199 in Appendix C, “Technical Specifications.”](#)

To reset the List of Known Drives and Modules:

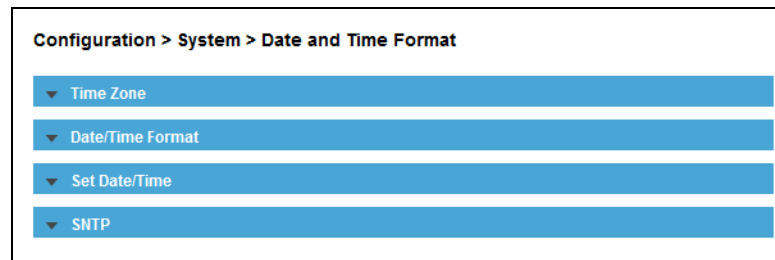
1. Navigate to **Configuration > System > Save/Restore Configuration**.
2. Click the **Reset the List of Known Drives and Modules** bar to open it.
3. Click **Reset**.

This feature does a re-discovery of installed hardware components. During this discovery, any modules and drives that are no longer in the library stack are removed from the list.

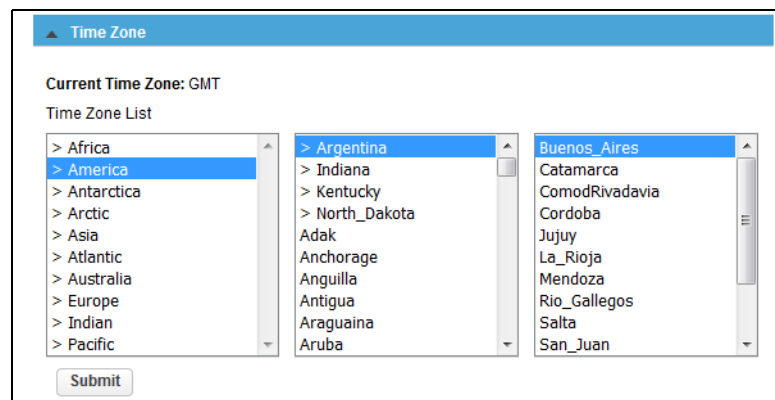
Date and Time Format

NOTE: The library does not adjust its time for daylight savings time. The time must be adjusted manually.

To configure date and time format parameters and use an SNTP server, navigate to **Configuration > System > Date and Time Format**.

To set the time zone for the library clock:

1. Click the **Time Zone** bar to open the option.
A list of continents, countries, and regions is displayed.
2. Select a **location** from the list.
When an item selected is preceded with a greater than sign (>) symbol (for example, > **America**) is shown in a column, a submenu of locations is displayed in the next column.



3. If an expanded time zone list is shown in the next column, repeat **Step 2** until a location with the appropriate time zone is visible (no ">" next to name) and select that **location**.
4. Click **Submit**.

To set the date and time formats:

1. Click the **Date/Time Format** bar to open the option.

2. From the drop-down list, select a **Time Format**.
3. From the drop-down list, select a **Date Format**.
For example, depending on the format selected, June 30, 2021 is displayed as:
 - **DD.MM.YYYY** – “30.06.2021”
 - **MM/DD/YYYY** – “06/30/2021”
 - **YYYY-MM-DD** – “2021-06-30”
4. Click **Submit**.

To set the library clock to the current date and time:

1. Click the **Set Date/Time** bar to open the option.

2. Enter the **time and date** in the given format.
Alternately, to use current time and date of the local PC, click **Now**.
3. Click **Submit**.

To set the library clock using an SNTP server:

NOTE: The library must have network access to an SNTP (Simple Network Time Protocol) server to set the library clock using an SNTP server.

1. Click the **SNTP** bar to open the option.

2. Check the **SNTP Enabled** box.
3. Enter the **SNTP Server** address.
4. Click **Submit**.

Media Barcode Compatibility Check

To enable or disable the barcode media ID check, navigate to **Configuration > System > Media Barcode Compatibility Check**. The default is enabled. To disable, uncheck the option box and click **Submit**.

Barcode Media ID Restriction
 When the box is checked, the Media Barcode Compatibility feature is enabled. This feature uses the media barcode identifier (the Media ID is the last two characters of the barcode) to verify the media is compatible with the tape drives installed.

NOTE: It is recommend to leave this option enabled (checked).

When the **Barcode Media ID Restriction** box is checked, the library only allows tape cartridges with the appropriate barcode media ID (the last two characters of the barcode) to be loaded into tape drives. For example, an LTO-8 labeled cartridge is not allowed to be moved into an LTO-7 tape drive.

When disabled, the library moves any tape into any tape drive. If the cartridge is incompatible with the tape drive, the library displays an error message.

NOTE: It is strongly recommended that ALL cartridges have barcode labels with the correct media ID, and that the Barcode Media ID Restriction is enabled.

Allow Unlabeled Media

To allow or disallow cartridges without labels from being used in the library, navigate to **Configuration > System > Allow Unlabeled Media**. The default is disallowed. To allow, check the option box and click **Submit**.

Allow Unlabeled Media
 This option enables/disables the detection of media without barcode labels.

When the option is enabled, the library will detect unlabeled media within the inventory scan. Please note that using this option may increase the duration of the inventory scan significantly, thus it is strongly recommended to use labeled media.

License Key Handling

To add or delete a license key, navigate to **Configuration > System > License Key Handling**.

Configuration > System > License Key Handling

License Key:

Description	Status	License Key	Expiration

To add a license key:

1. Enter a **license key**.
The license key must be 15 characters in length.
2. Click **Add License**.

To delete all license keys:

NOTE: The button for deleting all license keys is only available on Service level.

1. Click **Delete License Key(s)**.



IMPORTANT: Clicking the **Delete License Key(s)** button deletes all license keys currently in the library. All currently installed license keys are listed under the **License Key(s) in System bar**.

2. At the warning message, click **OK** to complete the action.

RMI Timeout

NOTE: The timeout is only selectable for RMI. The timeout for OCP is always set to 5 Minutes.

To set the timeout for RMI, navigate to the **Configuration > Web Management > Session Timeout** page.

Session Timeout

Select how many minutes a user should stay logged in : 30 min ▼

Submit

1. From the drop-down menu, select a **timeout value** (5 or 30 minutes).
2. Click **Submit**.

Network Configuration

The **Configuration > Network** option is used to configure the following items:

- [General Network Settings](#)
- [Primary Network Port](#)
- [Secondary Network Port](#)
- [Reset Internal IP Range](#)

Configuration > Network

Host Name: Domain Name:

Protocol: Max. Link Speed:

IPv4

Method:

Address: Netmask:

Gateway:

DNS 1: DNS 2:

IPv6

Method:

Current Address:

Address: Prefix Length:

Gateway:

DNS 1:

DNS 2:

Reset internal IP Range (in case of conflict)

NOTE: Only reset the internal IP range if you are using the same range in your network environment.

Current internal IP Range: 192.0.2.0/24

General Network Settings

The Host Name and Domain Name that was configured with the Initial Configuration wizard are used to access the RMI in the form:

“<Host Name>.<Domain Name>”

To change these settings:

1. Navigate to the **Configuration > Network** page.
2. At the top, update the **Host Name** and **Domain Name**.
3. Click **Submit**.

Primary Network Port

Use these settings to change the primary port's configuration.

1. With the **Primary Network Port** option opened, use the two drop-down menus to select the following:
 - **Protocol** – Select either **IPv4**, **IPv6**, or **IPv4 & IPv6**.
 - **Max. Link Speed** – Select either **10 Mbit**, **100 Mbit**, or **1 Gbit (default)**.
2. Based on the Protocol setting selected, use the **IPv4** and/or **IPv6** sections to configure the **protocol settings**.

To have the library obtain an IP address from a DHCP server instead of a Static IP address, select the **DHCP (IPv4)** or **Stateless (IPv6)** method.

3. Click **Submit**.

Secondary Network Port

If a secondary network port is used, open the **Secondary Network Port** option, check the **Port Enabled** box, and configure the same options as used for the Primary Network Port.

Reset Internal IP Range

NOTE: Only reset the internal IP range if you are using the same range in your network environment.

To reset the internal IP range, open the **Reset Internal IP Range (in case of conflict)** bar and click **Submit**.

For internal communication between modules the tape library uses an Ethernet connection with an internal IP address range. To prevent any conflict between the internal IP address range and the external IP addresses, it is necessary to select the internal IP range before the tape library gets connected to the external Ethernet port.

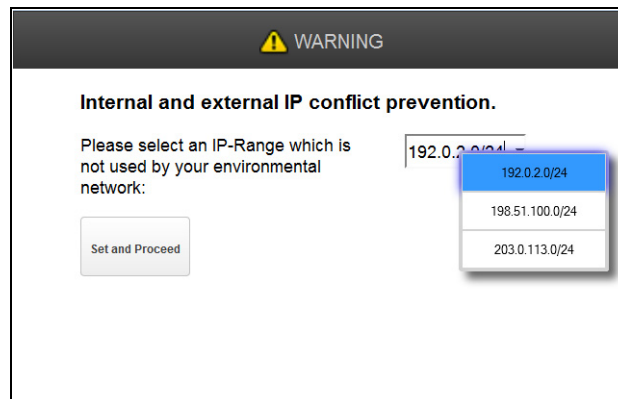
A file which contains the internal IP range is stored on the Base Module backplane (/opt/storage/mfg/stack/network.range and LCM /opt/storage/configuration/network.range).

The file is created through the OCP **IP Range** selection screen when the NEO starts for the very first time or if the library is reset to Manufacturing Defaults. The file can be reset via either OCP or RMI.

The Values must be in the following format:

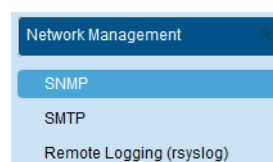
RANGE=192.0.2

NOTE: The last section of the IP address is not set because it is set internally.



Network Management

The **Configuration > System** page has the following suboptions:



- [SNMP Configuration](#)
- [SMTP Configuration](#)

- [Remote Logging \(rsyslog\)](#)

SNMP Configuration

Use the **Configuration > Network Management > SNMP** page to enable and configure SNMP (Simple Network Management Protocol), which allows applications to manage the device. The library supports both SNMP configuration and SNMP traps.

Configuration > Network Management > SNMP

SNMP

SNMP Enabled: Download MIB File

Community Name:

Notification Level:

SNMP Targets

IP/Hostname	Port	Version	Community	Action
<input type="text"/>	162	SNMPv1	public	<input type="button" value="Edit"/> <input type="button" value="Delete"/>

The configuration options below are only needed when using SNMPv3.

Limit all library SNMP communication to SNMPv3:

SNMPv3 Security Level:

Authentication User Name:

Authentication Password:

NOTE: Needed for security levels authNoPriv and authPriv (8 -31 characters)

Authentication Protocol:

NOTE: Needed for security levels authNoPriv and authPriv

Privacy/Encryption Protocol:

NOTE: Needed for security level authPriv

Privacy/Encryption Passphrase:

NOTE: Needed for security level authPriv (8 -31 characters)

General SNMP settings:

- **SNMP Enabled** – When checked, SNMP and its configuration is enabled so that the library can be managed by computers listed in the **SNMP Targets** list.
- **Download MIB File** – Click to download an MIB file.
- **Community Name** – A string used to match the SNMP management station and library. It must be set to the same name on both the management station and the library. The default community name is **public**.
- **Notification Level** – Use the drop-down box to select the types of events for which the library should send email.
 - **Inactive** – No events are sent.
 - **Critical** – Only critical events are sent.

- **+ Warnings** – Only critical and warning events are sent.
- **+ Configuration** – Only critical, warning, and configuration events are sent.
- **+ Information** – All events are sent.

With SNMP enabled, you can add, edit, or delete target information for an SNMP target.

To add or edit an SNMP target:

1. In the list, click **Edit** for the appropriate SNMP target.
When adding a new SNMP target, click **Edit** next to a target without an **IP/Hostname**.
2. Enter or change the target **IP address or hostname**.
3. Enter or change the **port number**.
4. From the drop-down menu, select or change the **SNMP version**.
5. Enter or change the **SNMP community string** for the target.
Normally, it is **public**.
6. If adding a new SNMPv3 target, also complete the **SNMPv3 fields** below the list.
7. Click **Submit**.

To delete an existing SNMP target:

1. In the list, click **Delete** next to the target to be deleted.
2. Click **Submit**.

To clear any SNMPv3 options previously entered:

Click **Clear SNMPv3 Options** and confirm.

SMTP Configuration

From the **Configuration > Network Management > SMTP** page, you can enable SMTP (Simple Mail Transfer Protocol) functionality and configure email notification of library events. The library must have network access to an SMTP server.

Configuration > Network Management > SMTP

SMTP

SMTP Enabled:

Notification Level:

SMTP Server:

Security:

SMTP Port:

To Email Address:

Mailer Name:

Email Subject:

Emailer Address:

Authentication Required:

Username:

Password:

NOTE: The Submit button will perform any changes made on the page and send a test email.

- **SMTP Enabled** – Check to enable SMTP and activate the configuration settings.
- **Notification Level** – Use the drop-down box to select the types of events for which the library should send email.
 - **Inactive** – No events are sent.
 - **Critical** – Only critical events are sent.
 - **+ Warnings** – Only critical and warning events are sent.
 - **+ Configuration** – Only critical, warning, and configuration events are sent.
 - **+ Information** – All events are sent.
- **SMTP Server** – Enter the Hostname or IP address of the SMTP server.
- **Security** – Use the drop-down box to select the Security protocol for accessing the SMTP server. Choose from **None**, **SSL/TLS**, or **STARTTLS**.
- **SMTP Port** – Use the drop-down box to select the SMTP server port. The default port for the selected protocol is selected. You can choose one of the default ports or configure a custom port.
- **To Email Address** – Enter the email address to receive the reported events (for example, firstname.lastname@example.com). Only one email address can be configured.
- **Mailer Name** – Enter the name of the sender of the notification email.
- **Email Subject** – Enter the subject line for the email message.
- **Mailer Address** – Enter the return address to use for the email message.
- **Authentication Required** – When checked, a user name and password are required to access the SMTP server. The appropriate fields are activated.
- **Username** – User account for logging into the SMTP server when authentication is required.
- **Password** – The password associated with the Username when authentication is required.

Click **Submit** to make the changes and send a test email.

Remote Logging (rsyslog)

Use the **Configuration > Network Management > Remote Logging (rsyslog)** page to enable remote logging into the library.

- **Remote Logging Enabled** – Check to enable remote logging and activate the configuration settings.
- **Notification Level** – Use the drop-down box to select the types of events for which the library should send email.
 - **Inactive** – No events are sent.

- **Critical** – Only critical events are sent.
- **+ Warnings** – Only critical and warning events are sent.
- **+ Configuration** – Only critical, warning, and configuration events are sent.
- **+ Information** – All events are sent.
- **Remote Logging Server** – Enter the Hostname or IP address of the Remote Logging server.
- **Remote Logging Port** – Use the drop-down box to select the Remote Logging server port. You can choose the default port or configure a custom port.
- **Transport Protocol** – Use the drop-down box to select the transport protocol for accessing the Remote Logging server. Choose from **UDP** or **TCP**.

Drive Configuration

Use the **Configuration > Drives > Settings** page to view and modify drive settings.

Configuration > Drives > Settings

Drive: 1 (LUN) S/N: 11C38DE05B IBM LTO 7 HH FC Pwr: On

Firmware: HB83 Manufacturer S/N: 10WT003567

Power On

Port A Configuration

Speed: Automatic Port Type: Automatic

Addressing Mode: Soft Loop ID / ALPA: Automatic

Port B Configuration

Speed: Automatic Port Type: Automatic

Addressing Mode: Soft Loop ID / ALPA: Automatic

Submit Undo

Drive information is shown in the option bar:

- **Drive number** – Drives are numbered from the bottom of the library up beginning with one. The drive currently hosting the SCSI communication for the library is designated with (LUN).
- **Serial Number (S/N)** – The serial number assigned to the tape drive by the library. This serial number is reported to host applications. The serial number cannot be modified.
This is not the serial number assigned to the drive by the manufacturer. That serial number is shown in **Manufacturer S/N**.
- **LTO generation** – The supported version of the LTO drive:
 - **LTO-6** – LTO-6 Ultrium Tape Drive
 - **LTO-7** – LTO-7 Ultrium Tape Drive
 - **LTO-8** – LTO-8 Ultrium Tape Drive
 - **LTO-9** – LTO-9 Ultrium Tape Drive

- **Drive form factor:**
 - **HH** – Half height
- **Drive interface:**
 - **FC** – Fibre Channel
 - **SAS** – Serial Attached SCSI
- **(Modified)** – When this text is present, it indicates that one or more settings have been changed. To apply the changes, click **Submit**. To reset all changed fields to their previously saved values, click **Undo**.
- **Power Status (Pwr:)** – Indicates whether the drive is currently powered ON or OFF.

Additional information is shown below the option bar:

- **Firmware** – The version of firmware currently installed on the drive.
- **Manufacturer S/N** – The serial number assigned to the drive when it was manufactured. Use this serial number when working with Technical Support.

Configurable options:

- **Power On** – Box is checked when the drive is ON. Uncheck the box to power off the drive.

NOTE: Always power off a tape drive before removing it from the library or moving it to a new location within the library.

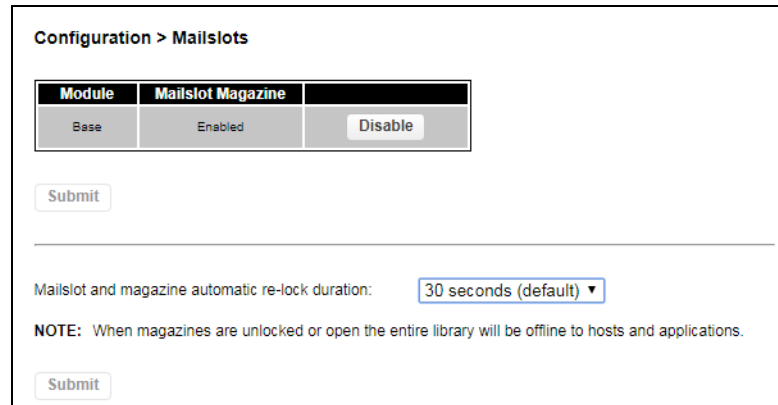
- **Port x Configuration (FC only)** – Port configuration settings for each port on an FC drive.
 - **Speed** – Use the drop-down box to select a speed. The default is **Automatic**. Choices are **2 GB/s**, **4 GB/s**, or **8 GB/s**.
 - **Port Type** – Use the drop-down box to select a type. The default is **Automatic**. Choices are **Loop** and **Fabric**.
 - **Addressing Mode** – When **Port Type** is set to **Loop**, you can choose an **Addressing Mode**. Choices are **Soft** and **Hard**.
 - **Loop ID / ALPA** – When **Addressing Mode** is set to **Hard**, you can choose an ALPA address from the drop-down list.

To apply the changes, click **Submit**. To reset all changed fields to their previously saved values, click **Undo**.

NOTE: To configure the number of barcode characters to report to the host application and whether to report them from the left or right end of the label, use either the **Basic Partition Wizard** or **Expert Partition Wizard**.

Mailslots Configuration

The **Configuration > Mailslots** page lists each of the mailslots and shows the status.

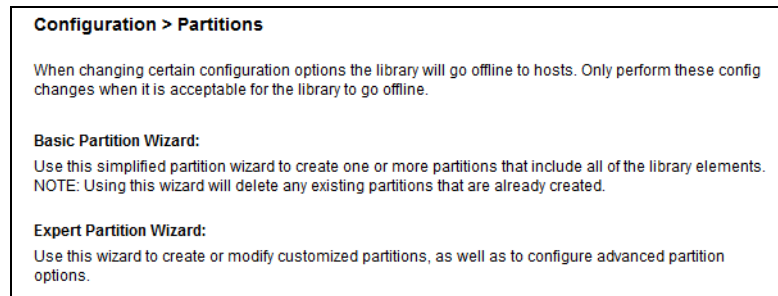


To change a mailslot state, click the status button on the far right for the appropriate mailslot and then click **Submit**. Slots not enabled as mailslots are available as storage slots.

To determine the automatic mailslot relock time, using the drop-down menu, select either **30 seconds (default)** or **5 minutes**, and then click **Submit**.

Partition Configuration

Use the wizards on the **Configuration > Partitions** page to configure or change partitions in the library.



The **Configuration > Partitions** page has the following suboptions:



The library has a flexible partitioning scheme with a few key constraints:


- Each partition must have at least one tape drive.
- One drive in each partition hosts the library LUN for the partition.
- The maximum number of partitions is 20.
- Magazine slots are allocated in five-slot groups.

- Mailslots must be enabled for a module before they can be allocated to a partition.
A partition does not need to have a mailslot. If a partition does not have a mailslot, the full magazine must be accessed to import or export cartridges. Opening a magazine takes the library offline.
Although mailslot magazines can be shared between partitions, the mailslots are assigned individually to partitions.

The partition wizards guide you through the partition configuration process. The wizards are only accessible from the RMI.

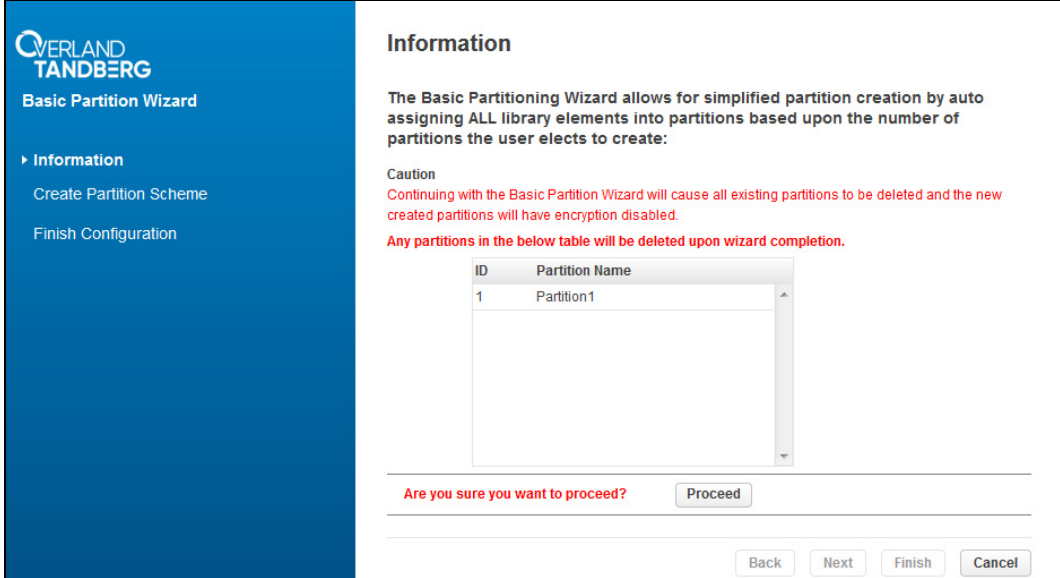
- [Basic Partition Wizard](#)
- [Expert Partition Wizard](#)

You can only use the **Expert Partition Wizard** to adjust the allocation of resources after first creating the partitions with the **Basic Partition Wizard**.

 **CAUTION:** The library goes offline while partitions are being configured. Ensure that all host operations are idle before running either partition wizard.

Basic Partition Wizard

Use the **Basic Partition Wizard** to configure partitions that will have similar resources. The wizard removes the current partition configuration and assigns the drives and storage slots as evenly as possible to the partitions. Any extra drives or slots are assigned to the first partition.



OVERLAND TANDBERG
Basic Partition Wizard

- Information
- Create Partition Scheme
- Finish Configuration

Information

The Basic Partitioning Wizard allows for simplified partition creation by auto assigning ALL library elements into partitions based upon the number of partitions the user elects to create:

Caution
Continuing with the Basic Partition Wizard will cause all existing partitions to be deleted and the new created partitions will have encryption disabled.
Any partitions in the below table will be deleted upon wizard completion.

ID	Partition Name
1	Partition1

Are you sure you want to proceed?

NOTE: For a library with a single partition, use it to configure the number of barcode characters to report to the host application and whether to report them from the left or right end of the label.

1. Navigate to **Configuration > Partitions > Basic Wizard** to start the wizard.
If partitions already exist, the **Information** page displays them. They will be deleted by the wizard. You can **Cancel** to keep existing partitions.
2. To proceed, click **Proceed** and then click **Next**.
3. The **Create Partition Scheme** page displays the number of slots, mailslots, tape drives, and maximum available partitions for the library.

NOTE: If you want to enable or disable the mailslots, Cancel out of the wizard and update the mailslot configuration before configuring partitioning.

4. Select the **number of partitions**.
5. Select the **number of barcode characters** reported to the host application.
This option provides interchange compatibility with libraries with more limited barcode reading capabilities. The maximum length is fifteen and the default is eight. This configuration is apply to all partitions.

NOTE: The industry standard length for LTO barcode labels is eight characters. Barcode labels longer than eight characters might scan incorrectly, particularly if they are not high quality labels.

6. Select whether to report the barcode characters from the **left** or **right** end of the barcode label to the host application when reporting fewer than the maximum number of characters.

For example, when reporting only six characters of the barcode label **12345678**, if alignment is left, the device reports back **123456**. If alignment is right, the device reports back **345678**. The default is left.

7. Click **Next**.

The **Finish Configuration** page displays the proposed allocation of library resources into partitions.

8. Do **one** of following:

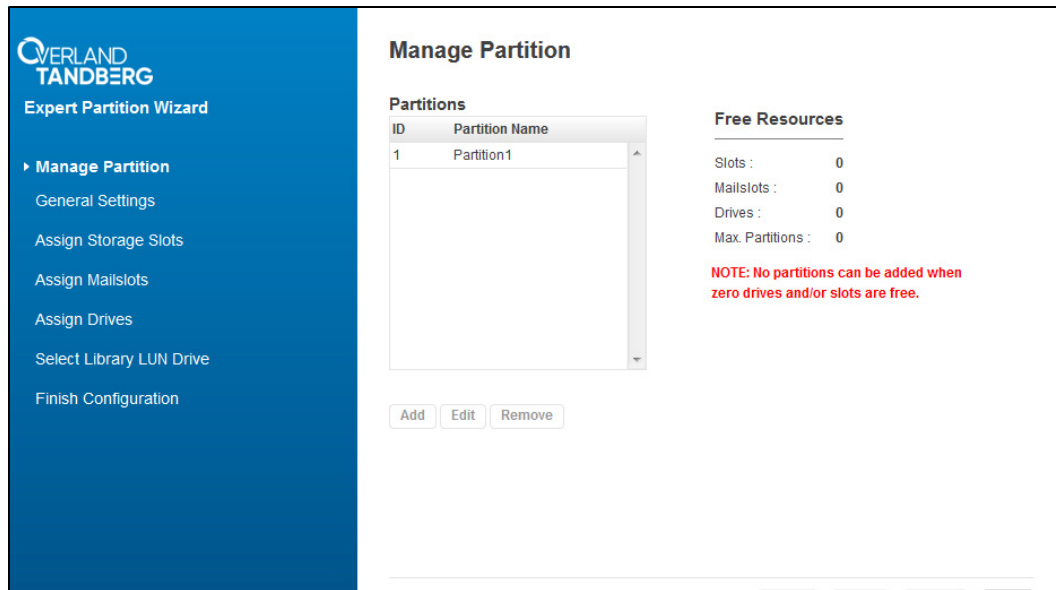
- To make other changes to the configuration, click **Back**.
- To have the wizard configure partition as shown, click **Finish**.

After the wizard reconfigures the partition, the library comes back online automatically.

9. To exit the wizard, click **Exit**.

Expert Partition Wizard

Use the **Expert Partition Wizard** to configure partitions that will have different resources or to adjust resource assignments for existing partitions or those created with the Basic Partition Wizard. This wizard can add or remove partitions from the current partitions configuration and then edit each partition configuration to add or remove library resources.



Click **Configuration > Expert Wizard** to start the wizard. The **Create Partition Scheme** page lists the current partitions (if any) and the free resources. Use the wizard to configure one partition at a time.

NOTE: If you want to enable or disable the mailslots, **Cancel** out of the wizard and update the mailslot configuration before configuring partitioning.

To add a partition:

NOTE: The add option and **Add** button is only active if there are available resources. If there are no available resources, either edit a partition to release resources from it or remove a partition that contains extra resources.

1. Click **Add** and then click **Next**.
2. Enter a **name** for the partition.
3. Select the **number of barcode characters** reported to the host application.
This option provides interchange compatibility with libraries with more limited barcode reading capabilities. The maximum length is fifteen and the default is eight. This configuration applies to all partitions.

NOTE: The industry standard length for LTO barcode labels is eight characters. Barcode labels longer than eight characters might scan incorrectly, particularly if they are not high quality labels.

4. Select whether to report the barcode characters from the **left** or **right** end of the barcode label to the host application when reporting fewer than the maximum number of characters.

For example, when reporting only six characters of the barcode label **12345678**, if alignment is left, the device reports back **123456**. If alignment is right, the device reports back **345678**. The default is left.

5. Click **Next**.
6. In the **Assign Storage Slots** page, use the **>>** and **<<** buttons to assign slots to the new partition and then click **Next**.
7. In the **Assign Mail Slots** page, use the **>>** and **<<** buttons to assign mailslots to the new partition and then click **Next**.
Individual mailslot elements cannot be shared between partitions. Importing or exporting cartridges in a partition without an assigned mailslot requires magazine access, which takes the library offline.
8. In the **Assign Drives** page, use the **>>** and **<<** buttons to assign drives to the new partition and then click **Next**.
9. If the partition has multiple tape drives, select the **drive that hosts the SCSI communication** for the partition and then click **Next**.
The lowest numbered drive in the partition is the default.
10. Verify the partition configuration and then click **Finish**.
After the wizard reconfigures the partition, the library comes back online automatically.

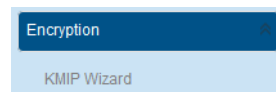
To remove a partition:

1. Select the **partition**, click **Remove**, and then click **Next**.
2. Verify that you want to remove the partition, and then click **Finish**.

After the wizard removes the partition, the library comes online automatically.

Encryption Configuration

This option is only accessible by a Security user.



Configuration > Encryption

When changing certain configuration options the library will go offline to hosts. Only perform these config changes when it is acceptable for the library to go offline.

Set Default Encryption Mode for new Partitions

Set the default encryption mode for new Partitions. Will be used if a partition gets created:

Controlled by Backup Application

General Settings

Allow Administrator encryption configuration during Expert Partition Wizard

Note: Enabling this selection allows library administrators to enable and disable encryption on a per-partition basis, without needing further approval from the Security user.

Set Encryption Mode per Partition

Partition1:

When logged in as a Security user, use this option to control the encryption of partitions or entire library.

Under **Set Default Encryption Mode for New Partition**, use the drop-down menu to select if new partitions are encrypted by the backup application or if licensed KMIP encryption is used. Click **Apply to All Existing Partitions** if you want encryption on previously created partitions.

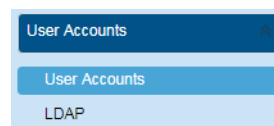
Under **General Settings**, check the box to allow an Administrator to enable or disable encryption on a per-partition basis bypassing Security.

Under **Set Encryption Mode per Partition**, use the drop-down menus to select the encryption for each existing partition.

If KMIP encryption is licensed, you can run the **KMIP Wizard** to configure it.

User Accounts Configuration

The **Configuration > User Accounts** page has the following suboptions:



- [User Accounts](#)
- [LDAP](#)

The supported user types are:

- **User** – This account allows access to only the library status information and does not allow access to configuration, maintenance, or operation features. A password is not required for the user account. Setting a user password restricts access to even the status information. The library initially has no User password.
- **Administrator** – Setting an administrator password provides restricted access to the administrator functions of the RMI. The library initially has a default administrator password **adm001**.

User Accounts

Configuration > User Accounts > Local User Accounts

NOTE: A maximum of 80 users can be added to the system.

▲ Local Users

Add User + Actions Filter By Name

Name	User Role	Status	Last Activity
administrator	Administrator	Connected	12:03:36 16.03.2018
user	User	Disconnected	09:53:48 15.03.2018

Use the **Configuration > User Accounts > Local User Accounts** option to set the passwords for up to 80 user or administrator accounts.

To create a new user account, click the **Add User +** button. From the drop-down menu, select the user type and then enter and confirm the new password in the blank fields. The password must contain 8-16 characters, which can include upper- and lower-case letters, numbers, and special characters.

Highlight a user in the list and use the **Actions** drop-down menu to modify a password, change role permissions for magazines and mailslots, change an OCP PIN, or remove an existing user other than the basic User and Administrator.

LDAP

Configuration > User Accounts > LDAP

▲ LDAP Servers (Number of configured servers: 0)

Add Server + Actions Filter By Primary Server

Primary Server	Port	Secondary Server	Port
----------------	------	------------------	------

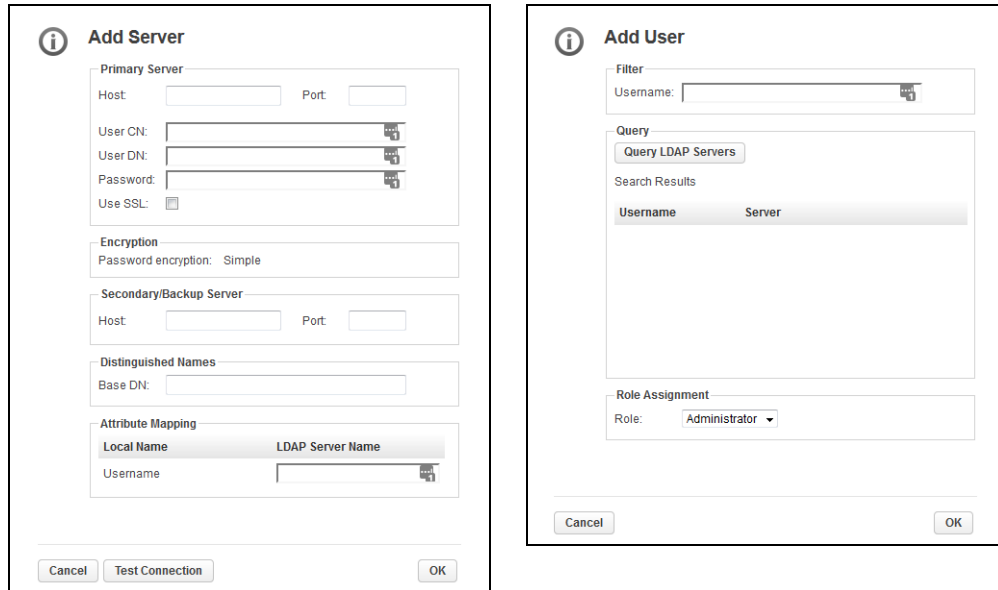
▲ LDAP Users (Number of configured users: 0)

Add User + Actions Filter By Name

Name	Server	User Role	Status	Last Activity
------	--------	-----------	--------	---------------

Use the **Configuration > User Accounts > LDAP** option to configure LDAP servers and users.

To create a new LDAP account, click either the **Add Server +** or **Add User +** button. The appropriate pop-up window appears.



Fill in the fields as appropriate and click **OK**. To test the configuration for the server, click **Test Connection**.

On the option page, highlight a server or user in the lists and use the **Actions** drop-down menu to modify or remove the server/user.

For very long lists, you can enter a partial name in the search field and click **Filter By Name**. Wildcards are not supported.

Web Management Configuration

Enable or disable secure access to the RMI using Secure Socket Layer (SSL) or Secure Shell (SSH) from the **Configuration > Web Management** screen. When SSL is enabled, connections to the RMI must use HTTPS. The default is disabled.

When SSH is enabled, the library will only accept SSH connections. The default is enabled.

Configuration > Web Management

- SSL (Secure Socket Layer)**
This option Enables/Disables SSL as mandatory for the library RMI.
- SSH (Secure Shell)**
This option Enables/Disables SSH for the library.
The SSH port is reserved for service and diagnostic purposes only.
(Only service user has permission to enable SSH)

Submit

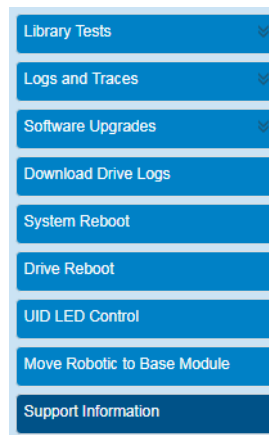
The library allows for adding a certificate, which must be signed by a Certificate Authority of your choice. The system will then use the signed certificate for library SSL/TLS connections.

Start Certificate Wizard

RMI Maintenance Options



To maintain the NEO Tape Library with the RMI, at the main page click **Maintenance**. The **Maintenance** page has numerous options in the Right Pane from which to select.

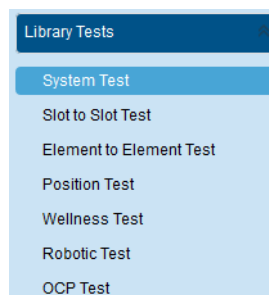


From the **Home** page, click **Maintenance** to access the library maintenance features:

- [Library Tests](#)
- [Logs and Traces](#)
- [Software Upgrades](#)
- [Download Drive Logs](#)
- [System Reboot](#)
- [Drive Reboot](#)
- [UID LED Control](#)
- [Move Robotic to Base Module](#)
- [Support Information](#)

Library Tests

The **Maintenance > Library Tests** page has the following options:



- [System Test](#)
- [Slot-to-Slot Test](#)

- The test operates over the whole library and does not take into account partition configuration.
- During the test the library is offline.

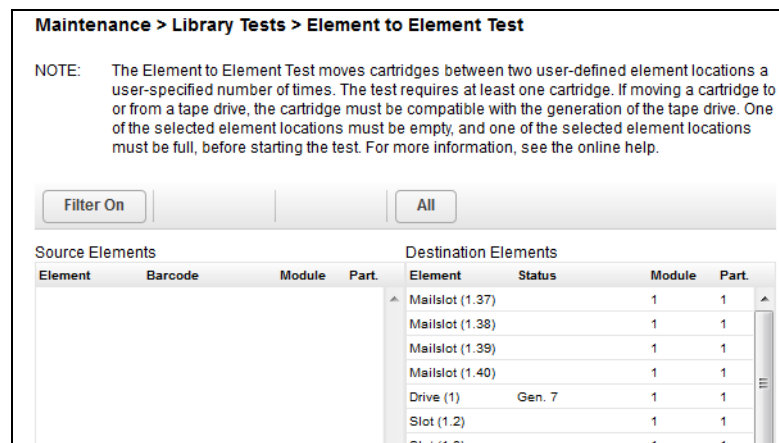
NOTE: For service and diagnostics, use the [Robotic Test](#) (see [Robotic Test on page 109](#)).

To run the test:

1. Navigate to the **Maintenance > Library Tests > Slot-to-Slot Test** page.
2. Select the **number of cycles**.
3. Click the **Start Test** button that appears.

Element-to-Element Test

The **Element-To-Element Test** moves a selected cartridge to a selected slot or tape drive, and then returns it to the original slot. You can select the number of times to move the selected cartridge to the destination location and back. It is intended to show that the library is operating correctly.



- One element must contain a cartridge and the other must be empty.
- You can select the number of times to move the selected cartridge to the destination location and back.
- If a tape is moved to an incompatibly drive, the drive will reject the tape, as designed.
- During the test the library is offline.

NOTE: To diagnose problems with the [Robotic Assembly](#) or verify that it has been correctly replaced, use the [Robotic Test](#) (see [Robotic Test on page 109](#)).

To run the test:

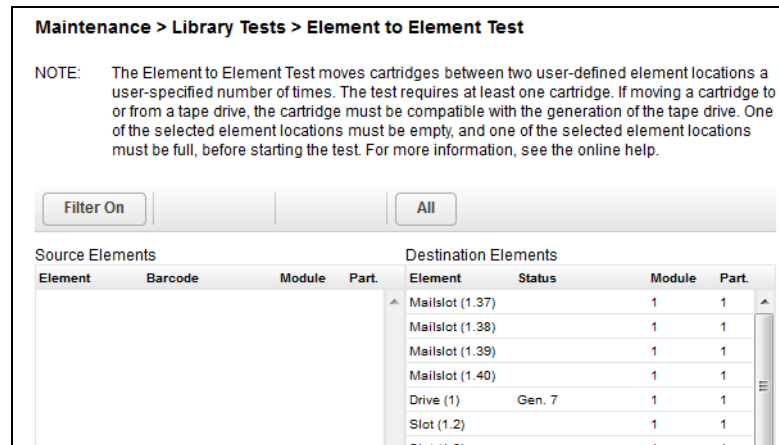
1. Navigate to the **Maintenance > Library Tests > Element-to-Element Test** page.
2. Select a cartridge from the **Source Elements** list.
 - a. Click **Filter On**.
 - b. Enter barcode label characters into the search box.
 - c. Click **Search**.

The **Source Elements** list is updated to only include cartridges with a barcode label including the search characters.

3. Select an empty location from the **Destination Elements** list.
4. Select the **number** of cycles.
5. Click the **Start Test** button that appears.

Position Test

The **Position Test** moves the Robotic Assembly **vertically** between two element locations. The test does not move cartridges. The test is intended to show that the vertical movement of the Robotic Assembly is operating correctly.



- You can select the number of times to move the Robotic Assembly between two element positions.
- During the test the library is offline.

NOTE: To diagnose problems with the Robotic Assembly itself or verify that it has been correctly replaced, use the Robotic Test (see [Robotic Test on page 109](#)).

To run the test:

1. Navigate to the **Maintenance > Library Tests > Position Test** page.
2. Select a source location from the **Source Elements** list.
3. Select a destination location from the **Destination Elements** list.
4. Select the **number of cycles**.
5. Click the **Start Test** button that appears.

Wellness Test

The **Wellness Test** exercises a general health check on library functionality by running the following partial tests:

Maintenance > Library Tests > Wellness Test

NOTE: The Wellness Test checks various library operations and hardware components. The Wellness Test requires at least one enabled and functional drive in the Library stack and one cartridge with barcode label in each module. For more information, see the online help. For a quick test execution it is recommended to have one functional drive in each module and 8 compatible data cartridges in the corner slots of the same module.

Start Test

Test not started.

Step	Info	Done
▼ Basic Hardware Review		
Robotics Initialization		
▼ Barcode Scanning Test		
▼ Magazine/Mailslot Unlock Motor Test		
▼ Move Media Test		

- **Basic Hardware Review**
- **Robotics Initialization**
- **Barcode Scanning Test**
- **Magazine/Mailslot Unlock Motor Test**
- **Move Media Test**

Running the test requires **each module** to have:

- At least one enabled and functional drive.
- One cartridge with a barcode label.

After the test has been started, the **Stop Test** button is active. Clicking the button aborts the **Wellness Test** but not before the current partial test has been completed.

- The test operates over the whole library and does not take into account partition configuration.
- During the test the library is offline.

The **Info** column notifies the user about the status and result of each partial test.

To run the test:

NOTE: For quickest test execution, it is recommended to have one functional drive in each module and eight compatible cartridges in the corner slots of the same module.

1. Navigate to the **Maintenance > Library Tests > Wellness Test** page.
2. Click **Start Test**.

Robotic Test

The **Robotic Test** exercises all Robotic Assembly movements and sensors. During the test the library is offline.

Maintenance > Library Tests > Robotic Test

NOTE: The Robotic Test exercises all robotic assembly movements and sensors. The test does not move cartridges. For more information, see the online help.

Test Status _____
Status: _____

To run the test:

1. Navigate to the **Maintenance > Library Tests > Robotic Test** page.
2. Click **Start Test**.

OCP Test (with LCD Adjustment Reset)

The **Maintenance > Library Tests > OCP Test** exercises functionality of the front panel LEDs or resets the contrast and brightness of the OCP LCD display.

Maintenance > Library Tests > OCP Test

NOTE: The OCP Tests verify front bezel LED functionality and the quality of the LCD display. Stepping through the different LCD screens requires physical interaction with the OCP.

▼

To start a test/reset, select it from the drop-down menu, and click **Start**.

- **LED Test** – Switches every LED on/off sequentially left to right and right to left. During the test, the library is offline.
- **Reset LCD Adjustment** – Resets the OCP LCD contrast and brightness back to the defaults (50% and 100%).

Logs and Traces

Logs are created for every event, information alert, and configuration change.

The **Maintenance > View Logs and Traces** page has the following options:

Logs and Traces

View Logs

Download Logs and Traces

- [View Logs](#)
- [Download Logs and Traces](#)

View Logs

To view the library log files, navigate to the **Maintenance > Logs and Traces > View Logs** page and then select one of the logs. Use the drop-down menu on the right to choose a type of log. Click a row in the table list to view a specific log.

Maintenance > Logs and Traces > View Logs

Configuration Log

Clear log Configuration Log ▾

Total (11)

Time	Event	Description
16.03.2018 09:18:57	8011	The network settings have changed
15.03.2018 13:19:00	8011	The network settings have changed
07.03.2018 12:42:19	8002	A partition was added/removed or changed
07.03.2018 12:39:59	8003	A mailslot bank was enabled / disabled
07.03.2018 11:44:26	8062	Auto calibration successful finished
07.03.2018 11:40:39	8036	New chassis detected
07.03.2018 11:40:39	8057	New hardware component added to the Library
07.03.2018 11:40:36	8001	The drive was added or removed from the system
07.03.2018 11:40:32	8011	The network settings have changed
07.03.2018 11:39:33	8017	Library firmware changed
07.03.2018 11:39:33	8059	Hardware component of Library replaced

Available log types are:

- **Event Ticket Log** – Records library error and warning events. The log entries contain a ticket number, date and time code, event code, description, current event state, component type, component identifier, and severity.
- **Information Log** – Records library information warnings. The log entries contain a date and time code, event code, and description.
- **Configuration Log** – Records configuration changes. The log entries contain a date and time code, event code, and description.

The log entries are displayed in order of most recent to oldest. The format for the date and time code is:

DD.MM.YYYY HH.MM.SS (Day . Month . Full_Year Hour . Minute . Second)

Download Logs and Traces

NOTE: Users and Administrators should download support tickets instead of log and trace files because the support ticket will have complete information about each library event and is easier to read. See [Download Drive Logs on page 112](#) on how to generate a support ticket.

Maintenance > Logs and Traces > Download Logs and Traces

NOTE: Creating Library Logs may take up to 10 minutes.

Save ...

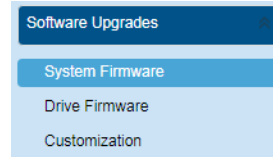
To download the library log and trace files from the RMI:

1. Navigate to the **Maintenance > Logs and Traces > Download Logs and Traces** page.
2. Click **Save**.

Software Upgrades

Library and drive firmware can be upgraded to the latest version. Customization of the library is also available from this page.

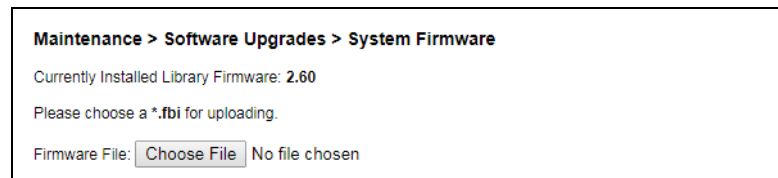
The **Maintenance > Software Upgrades** page has the following options:



- [System Firmware Upgrade](#)
- [Drive Firmware Upgrade](#)
- [Customization](#)

System Firmware Upgrade

The firmware version currently installed on the library is displayed in the library status area on the upper left corner of the **Home** page. You can update the library firmware from the **Maintenance > Software Upgrades > System Firmware** page.



To update library firmware with the RMI:

1. Click **Choose File** and select the firmware file (.FBI) from the local computer.
2. Click **Start Upgrade** that appears.

NOTE: When you update the library firmware, the library also updates the firmware of any expansion modules to a compatible version.

Drive Firmware Upgrade

Drive firmware can be updated on multiple drives of the same type at the same time. Each drive only accepts the appropriate firmware for that type of drive.

Maintenance > Software Upgrades > Drive Firmware

▲ IBM LTO 5 HH - SAS

Drive	Type	Firmware	Serial	Unit	Partition
<input type="checkbox"/>	1	HH - SAS	G9N1	11C247A0B5	1 1
<input type="checkbox"/>	2	HH - SAS	G9N1	11C247A0BF	1 1

▼ IBM LTO 6 HH - SAS


Image File: No file chosen

To see the firmware version currently installed on the drives, navigate to the **Maintenance > Software Upgrades > Drive Firmware** page.

To update drive firmware with the RMI:

1. Navigate to the **Maintenance > Software Upgrades > Drive Firmware** page. The tape drives are organized by drive type.
2. Expand the appropriate drive type option and select one or more of the **tape drives**. Click the box in the table title bar to select all drives of that type.
3. Click **Choose File**, and then select the **file** from the local computer.
4. Click **Submit**.

Customization

 **IMPORTANT:** This option is for Factory use only.

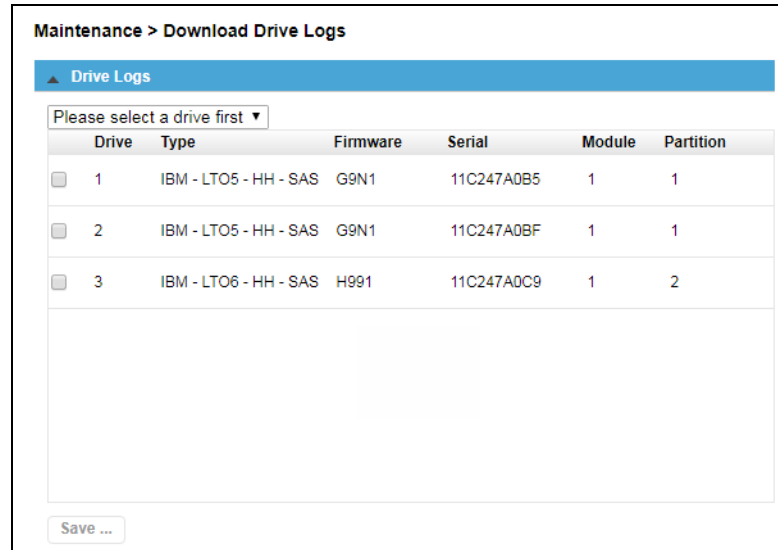
Maintenance > Software Upgrades > Customization

Customization File: No file chosen

Download Drive Logs

NOTE: Only one drive at a time can be selected for downloading its log.

From the **Maintenance > Download Drive Logs** page you can download a support ticket from the library or any of the tape drives.



To download a drive log:

1. If necessary, expand the **Drive Logs** list by clicking the option bar.

The list displays:

- **Drive** – The drive number. Drives are numbered starting with the one at the physical bottom of the library up to the top.
- **Type** – The drive manufacturer, LTO version, form factor (half height or full height), and interface (FC or SAS).
- **Firmware** – The current drive firmware version number.
- **Serial** – The drive serial number.
- **Module** – The module containing the tape drive.
- **Partition** – The logical library associated with the tape drive.

2. Select a **drive** by checking the box next to it.

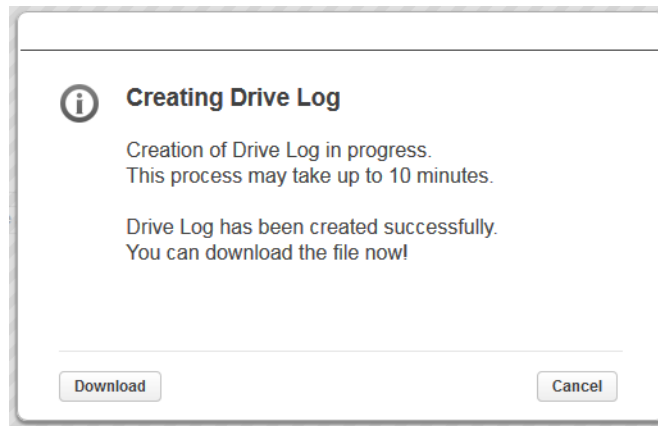
Clicking a different drive clears the previous selection.

3. Once a drive is selected, use the drop-down menu above the table title bar to select the type of **log** (DMP file) to download:

- **Regular Dump** – This option downloads a regular dump file for the tape drive.
- **Forced Dump** – This option downloads a forced dump file for the tape drive.

4. Click **Save**.

The process may take up to 10 minutes. When a regular or forced dump is done, the creation message displays **Download** and **Cancel** buttons.



5. For a Regular or Forced Dump, click **Download** and select whether to open or save it.

System Reboot

To reboot the library with the RMI, navigate to the **Maintenance > System Reboot** page and then click **Reboot**.

Drive Reboot

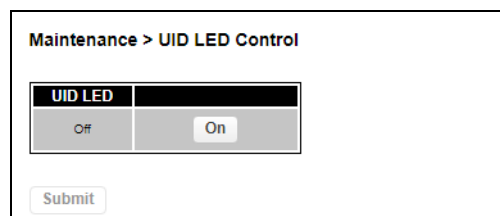
NOTE: Only one drive at a time can be selected for rebooting.

To reboot a drive with the RMI:

1. Navigate to the **Maintenance > Drive Reboot** page.
2. From the list, select the **drive** you want to reboot.
3. Click **Submit**.
4. At the confirmation message, click **Yes** to start the reboot.

UID LED Control

The UID LEDs are a pair of blue LEDs—one on the front OCP and the other on the Base Module controller in the rear. The UID LEDs are useful for identifying the library in a data center. The UID LEDs are operated synchronously and controlled by the user. From the **Maintenance > UID LED Control** page, you can see whether the LEDs are lit and toggle the status.




To select and switch on the UID LEDs:

1. Navigate to the **Maintenance > UID LED Control** page.

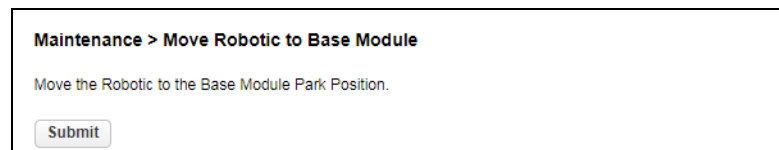
2. Click **Switch LEDs On**.
3. When done, click **Switch LEDs Off**.

Move Robotic to Base Module

Before extending a module from the rack, the Robotic Assembly must return to its park position in the Base Module. Under normal circumstances, when the library is powered off using the front power button, the robot automatically parks and locks in the Base Module behind the OCP.

 **CAUTION:** After powering off the library and before proceeding with extending a module from the rack, look inside the Base Module window to verify that the Robotic Assembly is behind the OCP.

If the library did not move the Robotic Assembly to its park position, you can do so from the **Maintenance > Move Robotic to Base Module** page.



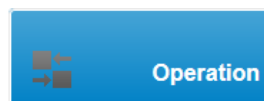
To move the robotic assembly back to the Base Module:

1. Navigate to the **Maintenance > Move Robotic to Base Module** page.
2. Click **Submit**.

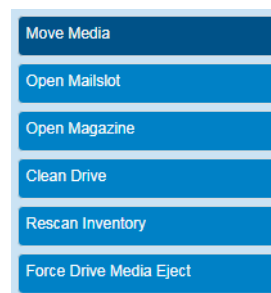
Support Information

The **Maintenance > Support Information** page shows how to obtain technical support for your NEO Tape Library either online or via telephone.

RMI Operation Options



For daily operation the NEO Tape Library with the RMI, at the main page click **Operation**. The **Operation** page has several standard options in the Right Pane from which to select.



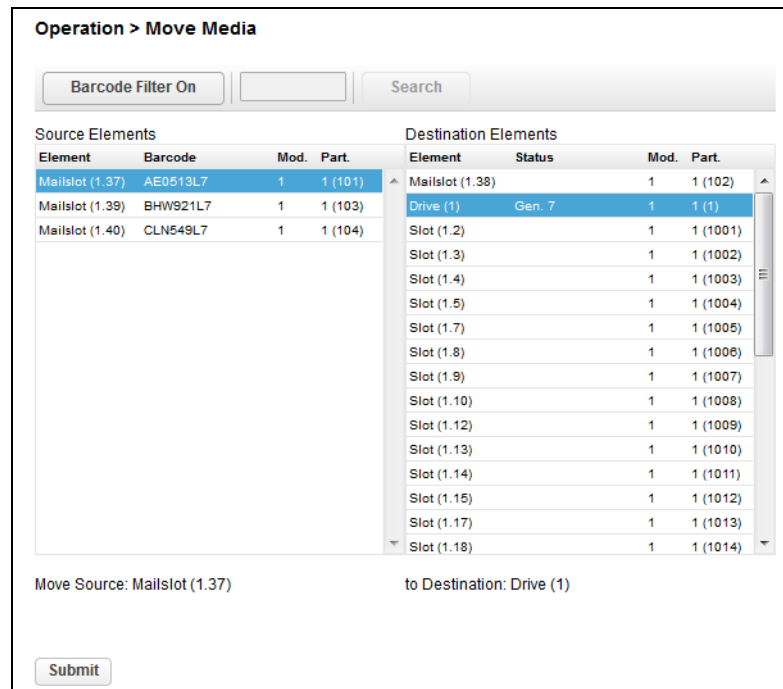
Click **Operation** on the **Home** page to access the RMI library operations features.

- [Move Media](#)

- [Open Mailslot](#)
- [Open a Magazine](#)
- [Clean a Tape Drive](#)
- [Rescan Cartridge Inventory](#)
- [Force a Drive to Eject a Cartridge](#)

Move Media

From the **Operation > Move Media** page you can move a tape cartridge located in a source element to an available destination element within the same partition.



- **Source Elements** – Tape drives, enabled mailslots, and storage slots that contain a tape cartridge.
- **Destination Elements** – Tape drives, enabled mailslots, and storage slots that do not contain a tape cartridge.

Element list organization is as follows:

- Mailslots are listed first in the order of the mailslot numbers. Mailslots are numbered *m.s*, where *m* is the module number and *s* is the mailslot within the module.
- Tape drives are listed next and in the order of their drive numbers. Tape drives are numbered from the physical top of the library starting with **Drive (1)**.
- Slots are listed in the order of the slot numbers. Slots are numbered *m.s*, where *m* is the module number and *s* is the slot within the module.

To see a subset of the cartridges in the library:

1. With the **Barcode Filter On** (default), enter some or all of the barcode label characters in the search field.
2. Click **Search**.
The **Source Elements** list updates to display only the cartridges with labels that include the characters in the search box.

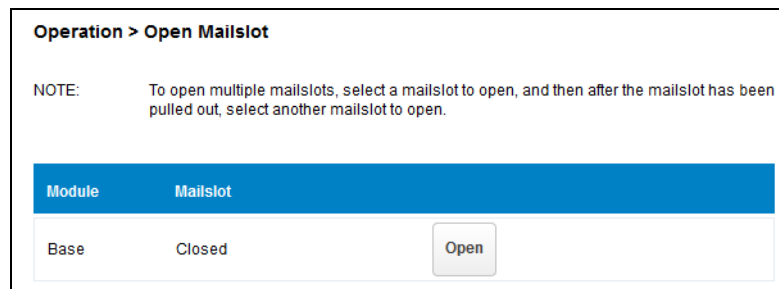
- To perform a different search or display all of the available cartridges, toggle the filter to **Barcode Filter Off**.

To move a cartridge:

- Select the **cartridge** from **Source Elements**.
The element name appears as the Move Source at the bottom of the table.
- Select the **destination** location from **Destination Elements**.
The element name appears as the To Destination at the bottom of the table.
- Click **Submit**.
A move message is displayed. When done, the source list updates to show the new location of the cartridge and the destination list updates to show the previous location as empty and available.

Open Mailslot

From the **Operation > Open Mailslot** page you can see the status of and unlock any enabled mailslot in the library.



To open a mailslot, click **Open** for the appropriate mailslot. The library releases the lock and you can then pull the mailslot out of the library to access it.

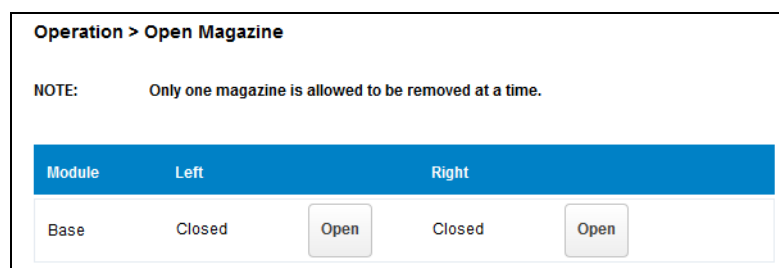
NOTE: The mailslot relocks after 30 seconds (or 5 minutes if so configured) if it is not opened.

For information about manually opening a mailslot, see [Magazine Manual Release on page 43](#).

The mailslot must be enabled before it can be opened. To enable a mailslot, see [Mailslots Configuration on page 96](#).

Open a Magazine

From the **Operation > Open Magazine** page you can unlock any magazine in the library.



To unlock a magazine, click **Open** for the appropriate magazine. The library releases the lock. You can then pull the magazine out of the library to access the storage slots.

NOTE: Opening a magazine takes the library offline. The magazines relock after 30 seconds (or 5 minutes if so configured) if not opened.

For information about manually opening a magazine, see [Magazine Manual Release on page 43](#).

Clean a Tape Drive

From the **Operation > Clean Drive** page you can initiate a drive cleaning operation.

Operation > Clean Drive

Source Elements					Destination Elements			
Element	Barcode	Module	Part.	Use Count	Element	Status	Module	Part.
Slot (1.36)	CLN120L1	1	2	4	Drive (1)		1	1
Slot (1.4)	CLN340L1	1	1	30	Drive (2)		1	1
					Drive (3)		1	2

Move Source: _____ to Destination: _____

1. Select a **cleaning cartridge** from the **Source Elements** list.
The library uses the barcode label (CLNxxxxx) to identify cleaning cartridges. If no cleaning cartridges are available, load one using a mailslot or magazine slot.
2. Select the **tape drive** to be cleaned from the **Destination Elements** list.
Tape drives currently containing a cartridge are not listed. To clean a tape drive not listed, move the cartridge out of the drive.
3. Click **Submit**.

Rescan Cartridge Inventory

To have the library rescan the cartridges, navigate to the **Operation > Rescan Inventory** page and click **Rescan**. The library changes to Scanning (Offline) status and is unavailable to perform other operations until the scan is complete.

Operation > Rescan Inventory

NOTE: Rescan inventory can take several minutes to complete.

Force a Drive to Eject a Cartridge

The **Force Drive Media Eject** operation attempts to force the tape drive to eject the cartridge and place it into an open slot. Access to this feature requires the administrator password.

Before performing this option, it is recommended that you attempt to eject the tape using the backup software or library **Move Media** operation. While a drive is being force ejected, a window indicating the process is ongoing should appear. No operations are available until the force eject completes.

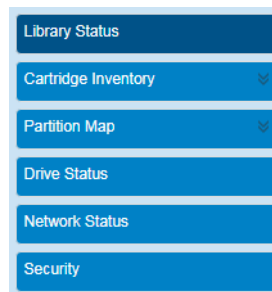
NOTE: If the drive has difficulty ejecting the cartridge, the media is possibly bad or damaged.

1. Navigate to the **Operation > Force Drive Media Eject** page.
2. Select the **drive** in the **Source Elements** list.
3. Select the **destination** in the **Destination Elements** list.
4. Click **Submit**.

RMI Status Options



To view the status the NEO Tape Library and its components with the RMI, at the main page click **Status**. The **Status** page has several options in the Right Pane from which to select.



Click **Status** on the **Home** page to access the RMI library statuses.

- [Library \(and Module\) Status](#)
- [Cartridge Inventory](#)
- [Partition Map](#)
- [Drive Status](#)
- [Network Status](#)
- [Security Status](#)

Library (and Module) Status

A summary of library information and status is displayed in the Top Banner and the Left Pane. For additional library module configuration and status information navigate to the **Status > Library Status** page.

Status > Library Status

▲ Library Information

Vendor:	BDT	Product ID:	MULTISTAK
Serial Number:	DE68101108	Firmware Revision:	2.60
Robotic Hardware Revision:	1	Robotic Firmware Revision:	2.02
Barcode Reader Hardware Revision:	SE-625	Barcode Reader Firmware Revision:	PAAAMC00-002-N09D0
WWide Node Name:	5000E111C247A000		

▲ Library Status

Library Status:	Idle	Total Power On Time:	1266d 5h 2m
Cartridge in Transport:	None	Odometer:	365
Robotic Location:	Module 1 (Base)	Shipping Lock:	Unlocked

▲ Module 1 (Base)

Base Controller Revision:	LCM3-05 / 0	Power Supply Status:	OK
Lower Power Supply Fan:	OK	Upper Power Supply Fan:	OK
Left Drive Power Board:	OK	Right Drive Power Board:	OK
Chassis Fan:	OK		

There are three areas on this page:

- [Library Information](#)
- [Library Status](#)
- [Module Status](#)

Library Information

If necessary, click the option bar to view the following items listed in this section.

- **Vendor**
- **Serial Number** – Library serial number.
- **Robotic Hardware Revision**
- **Barcode Reader Hardware Revision**
- **WWide Node Name** – World Wide Node Number.
- **Product ID**
- **Firmware Revision** – Version of the currently installed library firmware.
- **Robotic Firmware Revision** – Version of the currently installed Robotic Assembly firmware. The Robotic Assembly firmware is bundled and installed with the library firmware.
- **Barcode Reader Firmware Revision** – Version of the currently installed barcode reader firmware. The barcode reader firmware is bundled and installed with the library firmware.

Library Status

If necessary, click the option bar to view the following items listed in this section.

- **Library Status** (matches the status in the **Top Banner**).
 - **Idle** – The library robotic is ready to perform an action.
 - **Moving** – The library robotic is moving a cartridge.

- **Scanning** – The library robotic is performing an inventory of cartridges.
- **Offline** – The library robotic has been taken offline by the library.
- **Cartridge in Transport** – When applicable, displays the barcode label of the cartridge currently in the Robotic Assembly.
- **Robotic Location** – Displays the module where the robotic is currently located.
- **Total Power On Time** – Total time that the Base Module has been powered on since it was manufactured.
- **Odometer** – Robotic assembly move count.
- **Shipping Lock** – Indicates whether the robotic is unlocked or locked for shipment.

Module Status

If necessary, click the option bar to view the following items listed in this section.

- **Base/Expansion Controller Revision** – Hardware revision of the controller board currently installed in the module selected.
- **Lower Power Supply Fan** – Displays the status of the power supply fan in the lower PSU bay.
- **Left Drive Power Board** – Status of the Drive Power Board (DC-DC converter) for the drive slots in the module.
- **Chassis Fan** – Shows the status of the cooling fan for the chassis.
- **Power Supply Status** – Displays the status of power redundancy.
- **Upper Power Supply Fan** – Displays the status of the power supply fan in the upper PSU bay.
- **Right Drive Power Board** – Status of the Drive Power Board (DC-DC converter) for the drive slots in the module.

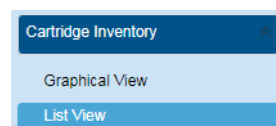
You can click **Refresh** to update the statuses.

Cartridge Inventory

To see the library slots, cartridges and drives organized by module, navigate to **Status > Cartridge Inventory**. From there, select either **Graphical View** or **List View** of elements. Both inventory view options display each of the elements with information about any cartridge stored in the slot or drive.

NOTE: Cartridges stored in unused slots, which are not available for move operations, are grayed out and are not assigned to any partition.

There are the different types of cartridge views:

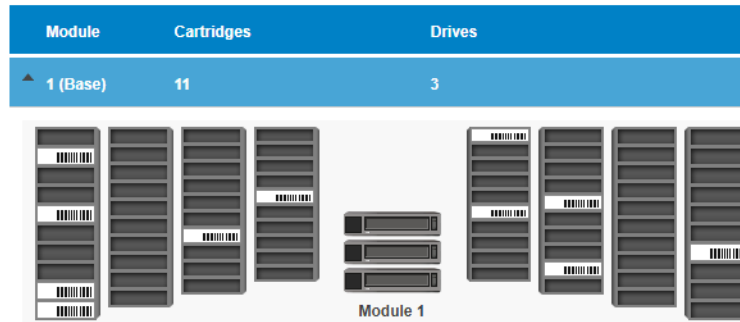


- [Cartridge Graphical View](#)
- [Cartridge List View](#)

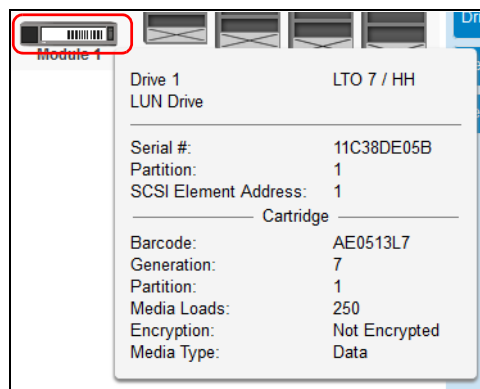
Cartridge Graphical View

The graphical view is broken out by module, displaying each of the elements (such as slots and tape drives) with information about the cartridge stored in that element.

Status > Cartridge Inventory > Graphical View

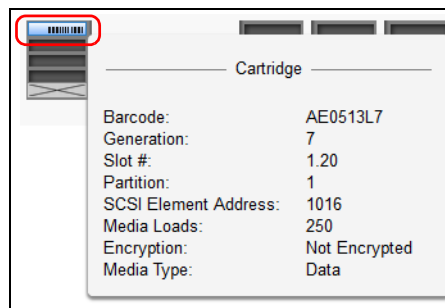


Moving the mouse over a drive image displays additional information:



- The top area shows the drive number, drive type, and drive details (LTO generation / form factor).
- The middle area shows the drive serial number, partition number, and SCSI element address.
- The bottom area shows:
 - If a cartridge is in the drive, the barcode, LTO generation, partition it originated from, the number of times it has been loaded, if the data is encrypted, and the type of cartridge (data or cleaning) is shown.
 - If no cartridge is in the drive, it just shows “empty.”

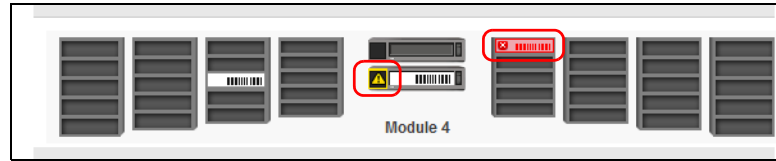
Moving the mouse over a slot or cartridge image displays additional information:



- If a cartridge is in the slot, when clicked, a pop-up shows the barcode, LTO generation, the slot number (in the form *m.s* where *m* is the module number and *s* is the slot number), partition in which it is located, SCSI element address, the number of times it has been loaded, if the data is encrypted, and the type of cartridge (data or cleaning).

- If empty, nothing is displayed.

Warning and error states for a specific drive or cartridge are indicated with colored icons.



Cartridge List View

To see a list of the elements organized by module, navigate to **Status > Cartridge Inventory > List View**. The default view is one of all the slot elements.

Status > Cartridge Inventory > List View

Drives Cartridges Group Off

Filter On

Module Slot #	Barcode	Full	Gen.	Partition
▲ 1				
1.1	CLN340L1	X	N/A	1
1.2	GLB040L5	X	5	1
1.3				1
1.4				1
1.5				1
1.6	AC0708L5	X	5	1
1.7				1
1.8				1
1.9	AEI690L5	X	5	1
1.10				1
1.11				1
1.12				1

The **List View** displays:

- **Module** – The module number.
- **Slot # / Drive #**
 - For slots, it shows the slot number (in the form *m.s* where *m* is the module number and *s* is the slot number) showing where the cartridge currently is located.
 - For drives, it shows the drive number (numbered from the bottom upward) showing where the cartridge currently is located.
- **Barcode** – The barcode label (if any).
- **Full** – X if a cartridge is in the slot.
- **Gen.** – LTO generation of the cartridge.
- **Slot (drives only)** – The slot from which the cartridge originated.
- **Partition** – The partition number.

NOTE: Cartridges stored in unused slots, which are not available for move operations, are grayed out and are not assigned to any partition.

The default view is cartridges in slots. The buttons at the top can filter the display by toggling the view:

Slots or Drives. To limit the list to just tape drives, click **Drives**. Only the drive elements are show and the button changes to **Slots**. To return to the default slots view, click **Slots**.

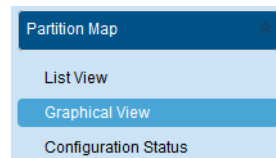
Cartridges or Elements. To limit the list to just library elements with cartridges in them, click **Cartridges**. To return to a full list of the elements, empty or full, click **Elements**.

Grouping. When **Group On** is clicked, the list is grouped by module. You can expand or contract the list for each group by clicking the triangle next to the module number in the first column. To disable grouping, click **Group Off**.

Filtering by Barcode Label. To filter the list based on the barcode label, click **Filter On** to display a Search field, enter barcode characters in the Search field, and click **Search**. The characters can be anywhere in the label. The search characters are not case sensitive. There are no wildcards. To disable filtering and show all the slots, click **Filter Off**.

Partition Map

To see the elements organized by partition, navigate to **Status > Partition Map**. There are three different types of partition views:



- [Partition Map View](#)
- [Partition Graphical View](#)
- [Partition Configuration Status](#)

Both inventory view options display each of the elements with information about any cartridge stored in the slot or drive.

NOTE: Cartridges stored in unused slots, which are not available for move operations, are grayed out and are not assigned to any partition.

The **Configuration Status** displays the partition information.

Partition Map View

To see a list of the elements organized by partition, navigate to **Status > Partition Inventory > List View**. The default view is one of all the slot elements.

Part.	Slot #	Barcode	Full	Gen.	Pos.	Module
▲ 1	Partition S/N: DE68101108_LL01 Name: Partition_1					
	1.1	CLN340L1	X	N/A		1
	1.2	GLB040L5	X	5		1
	1.3					1
	1.4					1
	1.5					1
	1.6	AC0708L5	X	5		1
	1.7					1
	1.8					1
	1.9	AEI690L5	X	5		1
	1.10					1
	1.11					1
	1.12					1

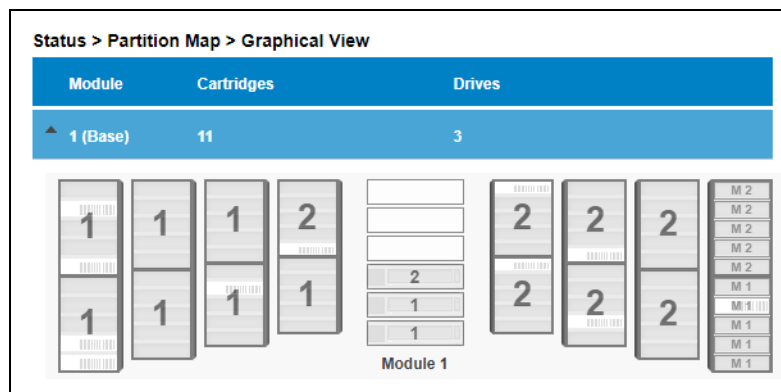
The layout and features are the same as for [Cartridge List View on page 123](#). The Groups are by partition instead of module.

Partition Graphical View

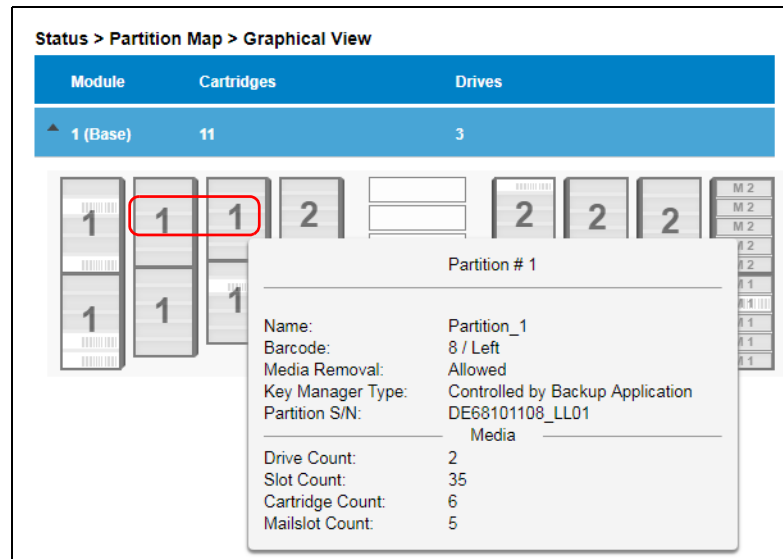
The graphical view is broken out by partition, displaying each of the elements (such as slots and tape drives) with information about the cartridge stored in that element.

NOTE: Unused slots, which are not available for move operations, are grayed out and marked with a cross. Any cartridges stored in these slots are displayed in the same way as regular slots.

The graphical view of the partition map displays the partition number for every magazine. In the example below, Magazine #8, which can be configured as mailslot magazine, displays single slots. When they are configured as mailslots, the slot number gets a leading 'M'.



Moving the mouse over a part of a partition displays additional information:



- **Name** – Partition name.
- **Barcode** – The barcode length and orientation reported to the host.
- **Media Removal** – Indicates whether media removal is allowed or prevented by the host.
- **Key Manager Type** – Encryption management type.
- **Partition S/N** – Serial number of the partition.
- **Drive Count** – Number of drives in this partition.
- **Slot Count** – Number of slots in this partition.
- **Cartridge Count** – Number of cartridges in this partition.
- **Mailslot Count** – Number of mailslots in this partition.

Partition Configuration Status

To see the configuration of a partition, its elements, and their status, navigate to **Status > Partition Map > Configuration Status**.

Status > Partition Map > Configuration Status

▲ Partition Number: 1 Partition Name: Partition1

Partition Number:	1
Partition Name:	Partition1
Partition S/N:	DE56400017_LL01
Partition WWide Node:	5000E111C38DE05E
Number of Drives:	▲ 1
	Drive 1 (LTO7 Fibre) S/N: 11C38DE05B
Number of Slots:	28
Number of Mailslots:	4
Barcode Label Length Rep. to Host:	8
Barcode Label Alignment Rep. to Host:	Left
Auto Clean:	Disabled
Key Manager Type:	Controlled by Backup Application
Active Control Path Drive:	Drive 1 (LTO7 Fibre)
LTO7+ Multi-initiator SCSI Conflict Detection:	Disabled

Refresh
Collapse All

If necessary, click the partition option bar to open it. The **Configuration Status** shows:

- **Partition Number** – The partition number.
- **Partition Name** – The partition name.
- **Partition S/N** – The partition serial number.
- **Partition WWide Node**– The partition WWide node number.
- **Number of Drives** – Number of drives in this partition.
- **Number of Slots** – Number of slots in this partition.
- **Number of Mailslots** – Number of mailslots in this partition.
- **Barcode Label Length Rep. to Host** – Barcode length reported to the host.
- **Barcode Label Alignment Rep. to Host** – Barcode alignment reported to the host.
- **Auto Clean** – Indicates whether automatic cleaning of drives is enabled or disabled.
- **Key Manager Type** – Encryption management type.
- **Active Control Path Drive** – LUN drive for this partition.
- **LTO7+ Multi-initiator SCSI Conflict Detection** – Indicates whether Multi-initiator Conflict Detection is enabled or disabled.

Click **Refresh** to update the status. Click **Expand All** to expand all partition data sections. Once expanded, click **Collapse All** to collapse all partition data sections to just option bars.

Drive Status

In the **Status > Drive Status** page you can see the configuration and status of each drive installed in the library.

Status > Drive Status

▲ 1	S/N: 11C38DE05B	IBM LTO 7 HH FC	✔	Idle	On
Vendor:	IBM	Personality:		00 19	
Firmware:	HB83	Manufacturer S/N:		10WT003567	
Powered:	On	WWNN:		5000E111C38DE05B	
Temperature:	38 °C	Partition:		1 (Library LUN)	
Encryption:	Disabled	Cartridge:		AE0513L7 (1.3)	
IP Address:	N/A	Media Removal:		Allowed	
Module Loc:	1	Data Compression:		Enabled	
Cooling Fan Status:	Active	Product ID:		ULTRIUM-HH7	
SCSI Element Addr:	1				

Port A Status (WWPN: 5000E111C38DE05C)

Speed:	8 Gb/s	Port Type:	Loop (L)
Interface:	Login complete	Loop ID / ALPA:	0x6F / 0x26

Port B Status (WWPN: 5000E111C38DE05D)

Speed:	N/A	Port Type:	N/A
Interface:	No light detected	Port ID:	N/A

Drive information is shown in the option bar:

- **Drive number** – Drives are numbered from the bottom of the library upwards.
- **Serial number** – The serial number (S/N) assigned to the tape drive by the library that is reported to host applications. The serial number cannot be modified.
- **Vendor/LTO Generation/Form Factor/Interface** – Basic drive information. See [Drive Configuration](#).
- **Library Health** – An icon indicating the overall health status of the library.
- **Drive Status** – The current drive activity.
- **Power Status** – Indicates whether the drive is currently powered ON or OFF.

If necessary, click the drive option bar to open it. The **Drive Status** page shows:

- **Vendor**
- **Firmware** – The version of firmware currently installed on the drive.
- **Powered** – Indicates whether the drive is currently powered ON or OFF.
- **Temperature**
- **Encryption** – Type of encryption management.
- **IP Address**
- **Module Loc** – Partition containing the drive.
- **Cooling Fan Status** – Drive cooling fan status.
- **SCSI Element Addr**
- **Personality**

- **Manufacturer S/N** – The serial number assigned to the drive when it was manufactured. Use this serial number when working with Technical Support.
- **WWNN** – The drive World Wide Node Number.
- **Partition** – Number of the partition. If the partition is contains the drive currently hosting the SCSI communication for the library, it is designated with “(Library LUN).”
- **Cartridge** – The barcode of a cartridge if one is in the drive.
- **Media Removal** – Allowed or disallowed.
- **Data Compression** – Enabled or disabled.
- **Product ID**

After the horizontal bar, the port information is shown:

For FC drives:

- **Speed** – Shows **2 Gb/s**, **4 Gb/s**, or **8 Gb/s**.
- **Port Type** – Either **Loop (type)** or **Fabric**.
- **Interface** – Shows the status of the interface such as **Login complete** or **No light detected**.
- **Loop ID / ALPA** or **Port ID**

For SAS drives:

- **Speed** – Shows **1.5 Gb/s**, **3 Gb/s**, **6 Gb/s**, or **12 Gb/s**.
- **Interface** – Shows either **Connected** or **Not Connected**.

Click **Refresh** to update the status. Click **Expand All** to expand all partition data sections. Once expanded, click **Collapse All** to collapse all drive data sections to just option bars.

Network Status

Status > Network Status

Host Name: TL-1C38DE
Domain Name: devnet.myoverland.net

▲ Primary Network Port

▲ General Network Settings

MAC Address:	00:0e:11:1c:38:de	Link Status:	Enabled
Link Speed:	1000 Mbit/s	Duplex:	Enabled
Protocol:	IPv4		

▲ IPv4

DHCP:	Enabled		
Address:	10.20.12.2	Netmask:	255.255.0.0
Gateway:	10.20.8.1		
DNS 1:	10.1.8.154	DNS 2:	10.1.8.155

▲ Secondary Network Port

▲ General Network Settings

MAC Address:	00:0e:11:1c:38:df	Link Status:	Disabled
Link Speed:	Mbit/s	Duplex:	Disabled
Port Enabled:	Disabled		
Protocol:	IPv4		

If necessary, click the drive option bar to open it. The **Network Status** page shows:

- **Host Name** – Library hostname.
- **Domain Name**

- **Protocol** – IPV4 or IPV6.
- **General Network Settings:**
 - **MAC Address** – A unique identifier for the library controller network interface in the format **xx : xx : xx : xx : xx : xx**.
 - **Link Status** – **Enabled** or **Disabled**.
 - **Link Speed** – The speed (Mbit/s) of the Ethernet connection to the library.
 - **Duplex** – **Enabled** or **Disabled**.
- **IPv4 settings (if used):**
 - **DHCP** – When DHCP is enabled, the library requests an IP address from a DHCP server each time the library is powered on.
 - **Address** – IP address in use by the library. If DHCP is enabled, this address was obtained from the DHCP server. When DHCP is not enabled, the address was configured (static).
 - **Netmask** – The network mask of the library controller used when DHCP is not enabled.
 - **Gateway** – The gateway used when DHCP is not enabled.
 - **DNS 1** – IP address of the primary DNS server.
 - **DNS 2** – IP address of the secondary DNS server.
- **IPv6 settings (if used):**
 - **Stateless Addressing** – When enabled, the device generates an address for itself based on the routing information obtained from a router advertisement and the MAC address. The device can manage up to five global addresses at the same time, which can be assigned from different routers.
 - **Static Addressing** – When enabled, the library uses a statically-configured address.
 - **Static Assigned Address** – The IPv6 address when **Static Addressing Enabled** is **On**.

Security Status

In the **Status > Security Status** page you can see the security encryption type status and that of each partition and installed drive in the library.

Status > Security

▲ Security Encryption Status

KMIP: Disabled , Unlicensed

▲ Partition Encryption Status

▲ Partitions

Partition Number:	Partition Name and S/N:	Encryption Configuration:
1	Partition1, DE56400017_LL01	Controlled by Backup Application

▲ Drive Encryption Status

Drive	Encryption	Partition No.
Drive 1	Disabled	1
Drive 2 Offline	Disabled	N/A

There are three areas on this page:

- [Security Encryption Status](#)
- [Partition Encryption Status](#)
- [Drive Encryption Status](#)

Security Encryption Status

- **KMIP** – Enabled and licensing statuses.

Partition Encryption Status

Click each partition option bar to view the following:

- **Partition Number**
- **Partition Name and S/N** (Serial Number)
- **Encryption Configuration**

Drive Encryption Status

The table has three columns for each drive's encryption status:

- **Drive** – A list of installed drives.
- **Encryption** – The status of encryption on each drive.
- **Partition No.** – The partition with which the drive is associated.

7

Service and Upgrades

Only qualified personnel who are informed about the procedures and risks should service or upgrade the NEO hardware. Read all troubleshooting documentation and procedures (refer to the [Preface](#)) before proceeding with repair or upgrade procedures.



WARNING: To reduce the risk of electric shock or damage to equipment, always remove any power cords while working with the library.

WARNUNG: Um das Risiko eines elektrischen Schlags oder Schäden am Gerät zu vermeiden, ziehen Sie stets den Netzstecker, bevor Sie an der Einheit arbeiten.

AVERTISSEMENT: Pour réduire le risque de choc électrique ou endommagement de l'équipement, retirez toujours les cordons électriques en travaillant avec l'appareil.



CAUTION: While working with the library, observe standard Electrostatic Discharge (ESD) precautions to prevent damage to micro-circuitry or static-sensitive devices.

If needed, contact Technical Support for more information.

Here is a list of possible tools you can need:

- #2 Phillips Screwdriver
- Small Flat-head or Torx Screwdriver
- T10 Torx Screwdriver
- Small Flat-head Screwdriver
- Clip Nut Installation Tool

Topics in [Service and Upgrades](#):

- [Identify a Failed Component](#)
- [Install or Replace a Tape Drive](#)
- [Replace a Power Supply](#)
- [Replace a Controller Board](#)
- [Install or Replace a Drive Power Board](#)
- [Adding an Expansion Module](#)
- [Replace a Module \(Base or Expansion\)](#)
- [Move a Tape Library](#)
- [Replace the Robotic Assembly and Spooling Mechanism](#)
- [Replace the Base Module Front Bezel/OCP](#)

Identify a Failed Component

Use the RMI to identify a failed component:

1. From the **Maintenance > UID LED Control** RMI page, activate the UID (Unit Identification) LEDs.
This illuminates the blue LED on the front and rear of the Base Module to identify the library containing the failed component.
2. Identify the module within the library that contains the **failed component**:
 - a. In the upper left corner of the Home page, locate the **module** that indicates an error.
 - b. Click the **module** for information on the failed component.

Install or Replace a Tape Drive

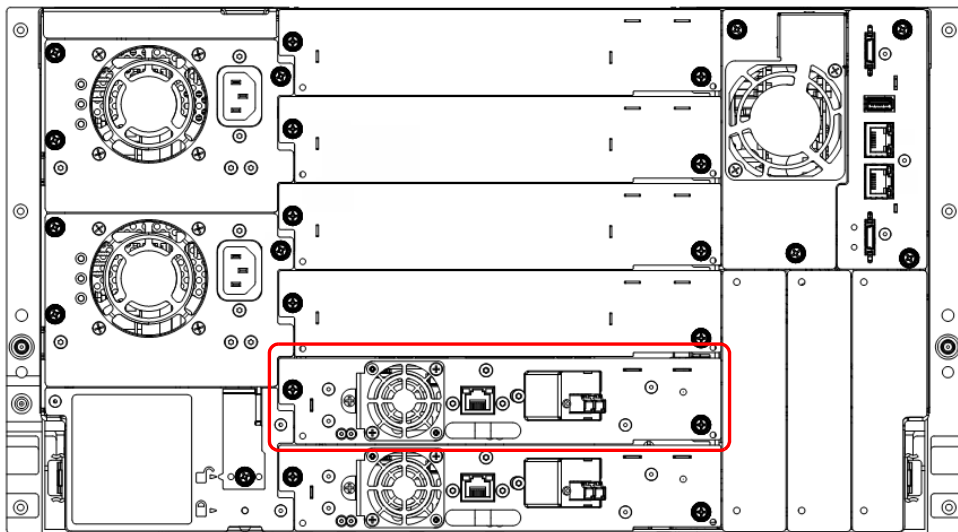
 **IMPORTANT:** Review “[Electrostatic Discharge](#)” in the “[Preface](#)” before replacing a library component.

Remove a Tape Drive

Before replacing a tape drive:

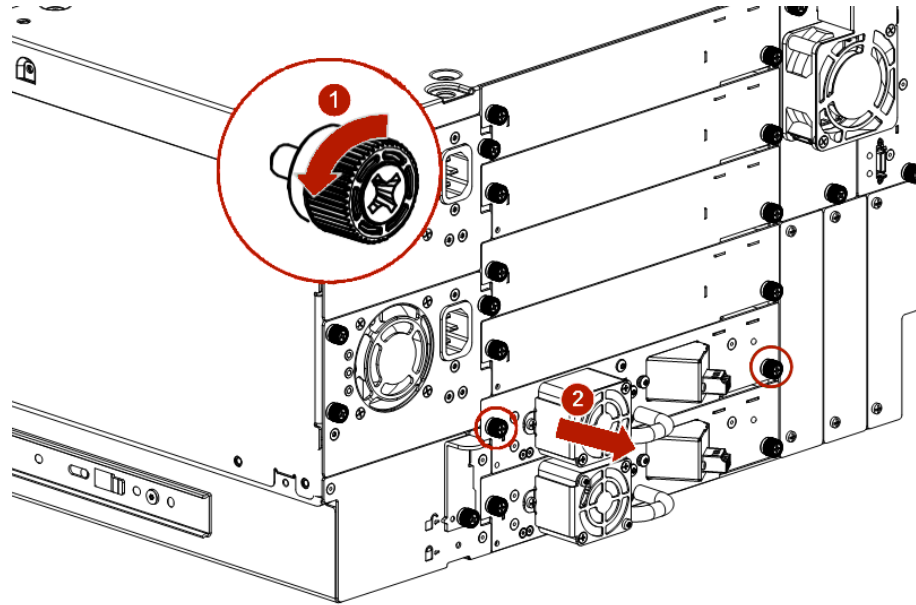
- Make sure the tape cartridge has been removed from the tape drive. Use the OCP or the RMI to move the cartridge to a storage slot or mailslot.
- If you are replacing the tape drive in a single drive unit or the master drive in a multi-drive unit, verify that backups are not occurring on the drive you are replacing. If backups are occurring on the master drive, verify that the autoloader or library will not be accessed through this drive while the drive is being replaced.

To remove a tape drive:



1. Use the OCP or RMI to power off the **tape drive**.
2. Verify that the tape drive assembly LED is off, and then remove the **FC or SAS cable** from the tape drive.

3. Loosen the **blue captive thumbscrews** on the tape drive.
4. Pull straight back using the tape **drive handle** (while supporting the bottom) to remove it from the unit.

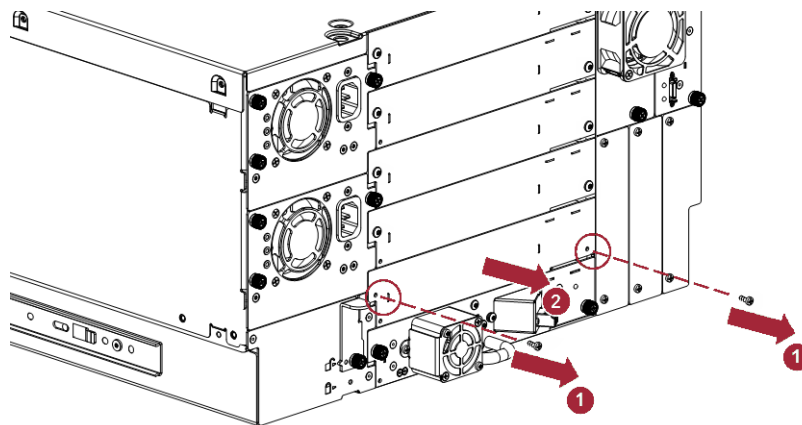


Continue with [Install a Tape Drive on page 135](#).

Remove a Drive Bay Cover

If installing an additional tape drive in a module, you need to remove one half-height drive bay cover to install a half-height (HH) drive or two HH covers to install a full-height (FH) drive.

1. Identify the **location** for the tape drive.
If this is the first tape drive, install it in the bottom drive bay. Otherwise, install the new drive in the next higher drive location.



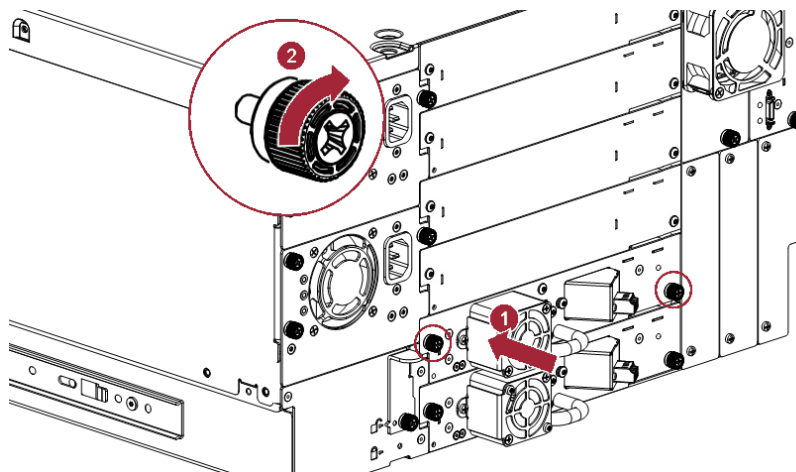
2. Use a #2 Phillips screwdriver to remove the **two screws** securing the plate. Save the plate and screws for possible future use.

Install a Tape Drive

To install a tape drive:

1. While supporting the drive assembly on the bottom, align and slowly insert the **new tape drive** into the open drive bay.

The tape drive should be flush with the back panel of the device when inserted.

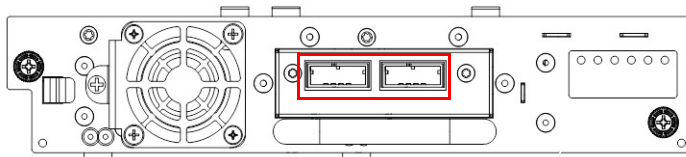


2. Tighten the **blue captive thumbscrews** with your fingers until the tape drive is secure.

Connect the Drive Cables

Connect a SAS Cable

1. Attach the **HBA end** of the SAS cable into the connector on the HBA.
If you are using a SAS fanout cable, the end with only one connector should be plugged into the HBA.



2. Connect the **drive end** of the cable.
 - If you are using a cable with a single connector on each end, attach the other end into the connector on the tape drive.
 - If you are using a SAS fanout cable, attach one mini-SAS connector into the connector on each tape drive. The unused ends of the SAS fanout cable are single channel and not suitable for use with disk arrays. Either use the other ends to connect tape drives, or coil and secure them to the rack to minimize stress on the connectors.

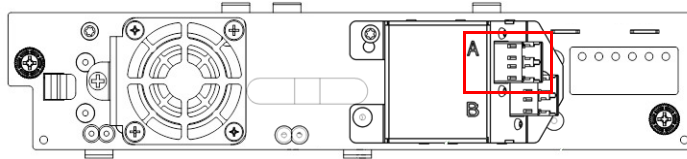
NOTE: Each of the tape drives uses one channel and the fanout cable recommended for use with the library maps each of the four channels from the HBA to one channel on the drive end. You can plug any of the four drive connectors into any tape drive.

Tip: If you are not using a SAS cable specified for the library, do not force a SAS cable's mini-SAS connector into the tape drive mini-SAS connector because it might be keyed differently.

NOTE: SAS signal rates require clean connections between the HBA and tape drive. Do not use adapters or converters between the HBA and the tape drive. For reliable operation, use a maximum SAS cable length of six meters.

Connect A Fibre Channel Cable

1. If necessary, remove the **FC port caps**.
2. Attach one end of the FC cable to **Port A** on the tape drive.



3. Attach the other end of the FC cable to a **switch or HBA**.

When installing a new tape drive, it is recommended that you leave the FC interface settings at the default settings of **Port Speed: Automatic** and **Port Type: Auto Detect**. With these settings, the tape drive uses the appropriate configuration.

Verify the Installation

1. If necessary, power on the **drive** from the OCP or RMI.
2. Confirm that the **library** recognizes the new tape drive.
The new drive should appear in the module status overview area on the left side of the OCP screen or RMI page.
3. Verify that the tape drive has the **current firmware**.
Update the firmware if necessary. You can update firmware from the RMI (**Maintenance > Software Upgrades > System Firmware**) or the OCP (**Maintenance > Software Upgrades**).

Replace a Power Supply

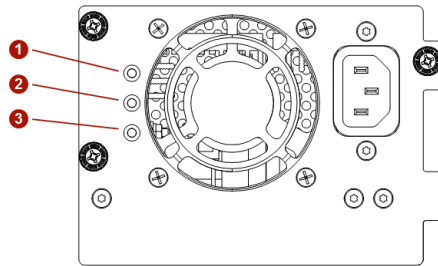
 **IMPORTANT:** Review “[Electrostatic Discharge](#)” in the “[Preface](#)” before replacing a library component.

Identify the Failed Component

Use the RMI page (**Maintenance > UID LED Control**) to activate the UID (Unit Identification) LEDs to locate the library in the data center. For detailed instructions, see [Identify a Failed Component on page 133](#).

Prepare to Remove the Power Supply

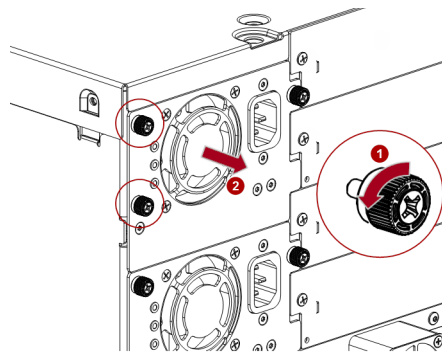
Locate the failed power supply on the rear of the library by either the bottom green LED (3) being unlit or all LEDs being unlit.



Unplug the AC power cord from the power supply you are replacing.

Remove the Power Supplies

1. Loosen the two **blue captive thumbscrews** with your fingers on the power supply.
2. Use the **thumbscrews** (one on each side) to slowly pull the power supply out about 4 inches (10cm).
3. While supporting the bottom, remove the **power supply** from the module.



Install the New Power Supply

1. Position the new power supply onto the **alignment rails**.
2. Slide the **power supply** into the module until it is flush with the back panel of the module.
3. Tighten the **blue captive thumbscrews** with your fingers to secure it to the module.
4. Attach the **AC power cord** to the new power supply.

Verify the Power Supply Installation and Operation

1. Verify that the new power supply is operating properly by checking that **all power supply LEDs** are lit.
2. Using the RMI, confirm that the **event** that indicated the power supply was faulty should be cleared.
3. If the **UID LEDs** are still illuminated, deactivate them using the RMI.

Replace a Controller Board



CAUTION: You must power off the library to install or replace this part to prevent damage from occurring.



IMPORTANT: Review [“Electrostatic Discharge”](#) in the [“Preface”](#) before replacing a library component.

NOTE: Do not replace both the Base Module chassis and the Base Module controller in the same procedure. The firmware does not allow the library to operate if both components are replaced at the same time. The library WWID and serial number are saved in the controller and within the chassis. When one is replaced, the data from the original component is transferred to the repair component. If replacing both the Base Module chassis and Base Module controller, you must power cycle the library between component replacements.

Identify the Failed Component

Use the RMI page (**Maintenance > UID LED Control**) to activate the UID (Unit Identification) LEDs to locate the library in the data center. For detailed instructions, see [Identify a Failed Component on page 133](#).

Save the Configuration

The library configuration settings are on the library chassis and are restored automatically when the controller is replaced. However, it is recommended to save the configuration settings before removing the controller board as a precaution. See [Save/Restore Library Configuration on page 83](#) for instructions on saving configuration settings to a file or USB flash drive.

Power Off the Library

1. From the front panel, press and hold the **power button** for three (3) seconds.



NOTE: If the library does not perform a soft shutdown, press and hold the power button for ten (10) seconds.

2. Verify that the **Robotic Assembly** is in its parked position.
3. Verify that all **host processes** are idle.

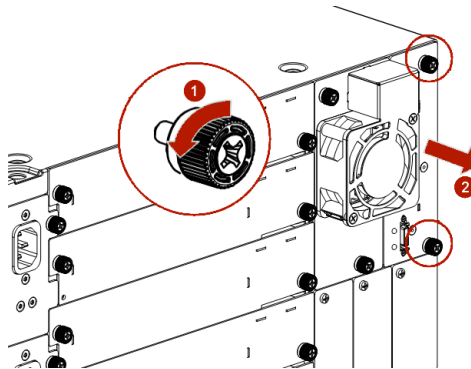
Prepare to Remove the Controller

1. Unplug the **AC power cables** from the module containing the failed controller.

2. If present, remove the **expansion interconnect cables** that connect to other modules.
3. If present, remove the **Ethernet cables** and the **USB device**.
Expansion Module controllers do not have Ethernet or USB ports.

Remove the Controller

1. Loosen the two **blue captive thumbscrews** on the controller.
2. Using the thumbscrews, slowly remove the **controller** from the module.



Install the Controller

1. Position the **new controller** on the alignment rails.
2. Slowly slide the controller into the **module** until it is flush with the back panel of the module.
3. Tighten the **blue captive thumbscrews** with your fingers to secure it to the module.
4. If previously removed, replace the **expansion interconnect cables**.
5. If previously removed, replace the **Ethernet cables** and **USB device**.
6. Plug in the **AC power** cables.

Verify the Controller Installation

1. Using the OCP or RMI, click **Status > Library Status > Module x** to view the controller status.
2. Check that the **event** indicating the controller was faulty is now cleared.
3. Verify that the library has the most up-to-date **firmware** revision.
To find the version of firmware installed on the library, check the upper left corner of the OCP or RMI.

Serial #:	DE68101108
Hostname:	TL-1C247A
IPv4:	10.20.64.41
Firmware:	2.60

4. If necessary, update the firmware using the RMI **Maintenance > Firmware Upgrades > System Firmware** page.
5. If replacing the Base Module controller, restore the **previous settings** by restoring them from a file of saved settings, or by entering them using the OCP or RMI.

6. If the **UID LEDs** are still illuminated, deactivate them using the RMI.
7. Resume the **host applications**.

Power On the Library

Power on the library by pressing the power button just below the OCP display. The green light illuminates.

When the library is powered on, it inventories the tape cartridges in the magazines, checks the firmware version on all modules, configures the tape drives, confirms the presence of the existing modules, and searches for any new modules.

Install or Replace a Drive Power Board



IMPORTANT: Review [“Electrostatic Discharge”](#) in the [“Preface”](#) before replacing a library component.

Identify the Failed Component

Use the RMI page ([Maintenance > UID LED Control](#)) to activate the UID (Unit Identification) LEDs to locate the library in the data center. For detailed instructions, see [Identify a Failed Component on page 133](#).

Power Off the Library

1. From the front panel, press and hold the **power button** for three (3) seconds.



NOTE: If the library does not perform a soft shutdown, press and hold the power button for ten (10) seconds.

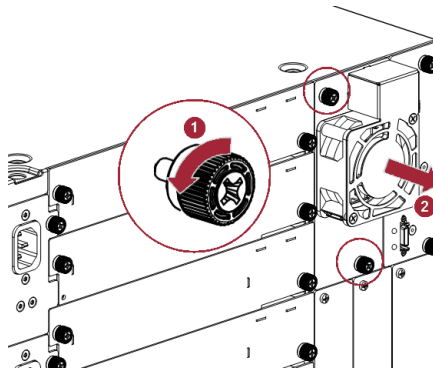
2. Verify that the **Robotic Assembly** is in its parked position.
3. Verify that all **host processes** are idle.

Remove the Library Chassis Fan and Drive Power Board

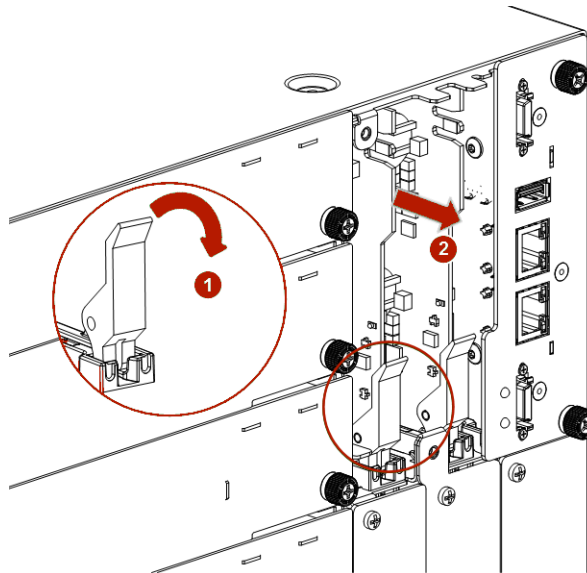
The Drive Power Boards are located behind the Chassis Fan.

1. Unplug the AC power cords from the module containing the failed Drive Power Board.
2. Loosen the **two blue captive thumbscrews** on the Chassis Fan.

- Using the thumbscrews, slowly remove the **Chassis Fan** from the module and set it on a secure ESD surface.



- Push the defective Drive Power Board **latch** down to release it.



- Slowly slide the **Drive Power Board** out of the module.

Install the New Drive Power Board

- Position the **new Drive Power Board** onto the alignment rails.
- Slide the Drive Power Board into the **module** until seated firmly.
- Push the board **latch** up until it snaps firmly into place.
When the Drive Power Board is installed correctly, the latch will not be loose.
- Position the **Chassis Fan** on the alignment rails and slide it in until it is flush with the back panel of the module.
- Tighten the **thumbscrews** with your fingers to secure it to the module.
- Plug in the **AC power cords** disconnected previously.

Power On the Library

Power on the library by pressing the power button just below the OCP display. The green light illuminates.

When the library is powered on, it inventories the tape cartridges in the magazines, checks the firmware version on all modules, configures the tape drives, confirms the presence of the existing modules, and searches for any new modules.

Verify the Drive Power Board Installation

1. Verify that **all tape drives** that are present are powered on.
2. Check that the **event** indicating the Driver Power Board was faulty is now cleared.
3. From the back of the library, verify that the **green LED** on each drive is illuminated.
4. If the **UID LEDs** are still illuminated, deactivate them using the RMI.
5. Resume the **host applications**.

Adding an Expansion Module



IMPORTANT: Review [“Electrostatic Discharge”](#) in the [“Preface”](#) before replacing a library component.

Overview

To install an additional Expansion Module to a NEO XL-Series Tape Library:

1. If necessary, clear space in the rack.
2. Install the rack rails.
3. If necessary, transfer the top or bottom cover to the Expansion Module.
4. Install the Expansion Module in the rack and align the module with the library.
5. Plug in the cables and verify the installation.

You need a small flat-head or Torx screwdriver and a #2 Phillips screwdriver.

Power Off the Library

1. From the front panel, press and hold the **power button** for three (3) seconds.



NOTE: If the library does not perform a soft shutdown, press and hold the power button for ten (10) seconds.

2. Verify that the **Robotic Assembly** is in its parked position.
3. Verify that all **host processes** are idle.

Move a Cover to the New Module

The library has removable top and bottom covers. When adding a module to the top or bottom of the stack, you must move either the top or the bottom cover to the new module. Refer to [Library Module Preparation on page 29](#) for details.

While this procedure refers to moving a cover from the Base Module, the information is the same for moving a cover from an Expansion Module.

Install the Module in the Rack

See [Rack Installation of Modules on page 30](#) for details and instructions.

Align and Connect the Module

Aligning the new module with the library ensures that the robot can move freely between the modules. The library will not operate unless the alignment mechanism is in the locked position. See [Aligning and Connecting Modules on page 32](#) for details.

Verify the Installation and Configuration

Power on the library and check the following:

- Verify that the library powers on and initializes correctly, and that the status is **Ready**.
- From the OCP or RMI, verify that the new Expansion Module is visible.
- Check the library configuration settings related to the additional storage slots, mailslots, and tape drives. Update if necessary.

The Expansion Module operates using the existing library firmware. It is recommended that you always update the library to the latest firmware version. You can update firmware from the RMI (**Maintenance > Software Upgrades > System Firmware**) or the OCP (**Maintenance > Software Upgrades**).

Replace a Module (Base or Expansion)



IMPORTANT: Review [Chapter 2, "Installation,"](#) before replacing a module or moving the library. Review the documentation that comes with the replacement module for the latest information about this process.

To replace a module in a NEO XL-Series Tape Library:

1. Save the library configuration.
2. Remove tape cartridges and power off the library.
3. Remove the tape drives and disconnect the power cords and cables.
4. Remove the module from the rack and unpack the new module.
5. Swap covers and components from the old to the new module.
6. Install the replacement module into the rack and align it.
7. Reinstall the tape drives and reconnect the power cords and cables.
8. Reinsert the tape cartridges.
9. Power on the library and verify the operation.

You need a T-10 Torx screwdriver to remove the drive bay covers and a small flat-head screwdriver.


Save the Configuration

The library configuration settings are on the library chassis and is restored automatically when the controller is replaced. However, it is recommended to save the configuration settings before removing the controller board as a precaution. See [Save/Restore Library Configuration on page 83](#) for instructions on saving configuration settings to a file or USB flash drive via the OCP or RMI.

Prepare Module for Removal

Each NEOxl 80 Base Module weighs more than 78.3 lbs. (35.5kg) without drives or tapes and more than 104.3 lbs. (47.5kg) with six tape drives and 80 tapes. Before moving or lifting the module, remove the tape magazines and drives to reduce the weight.

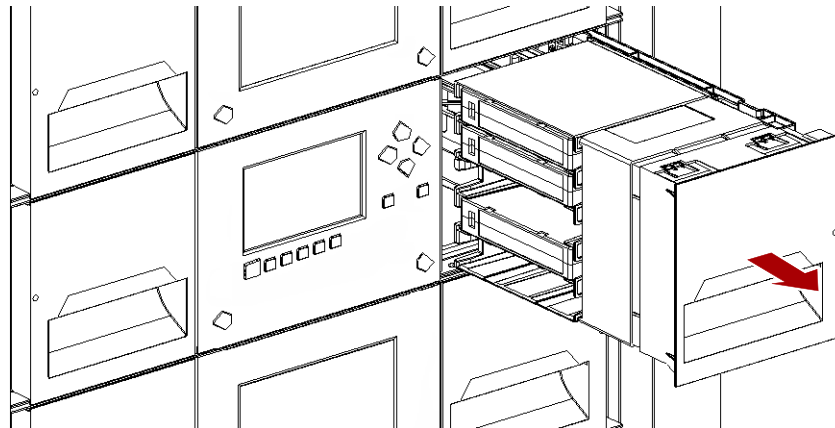
Remove the Tape Cartridges

 **IMPORTANT:** As a best practice, perform this procedure while applications are idle. While the magazine is pulled or removed, the library Robotic Assembly cannot move media. Only one magazine can be open at a time.

1. Using either the magazine **unlock buttons** or RMI, unlock a tape magazine.

NOTE: If these methods fail, or if a magazine needs to be removed when the power to the device is off, you can release the magazine manually. Refer to [Magazine Manual Release on page 43](#).

2. Supporting it underneath, remove the **tape magazine**.



NOTE: Do not remove the tape cartridges from the magazine as they need to be in the same slot locations in the new module.

3. Repeat these process for the **other** magazine.

Power Off the Library

1. From the front panel, press and hold the **power button** for three (3) seconds.

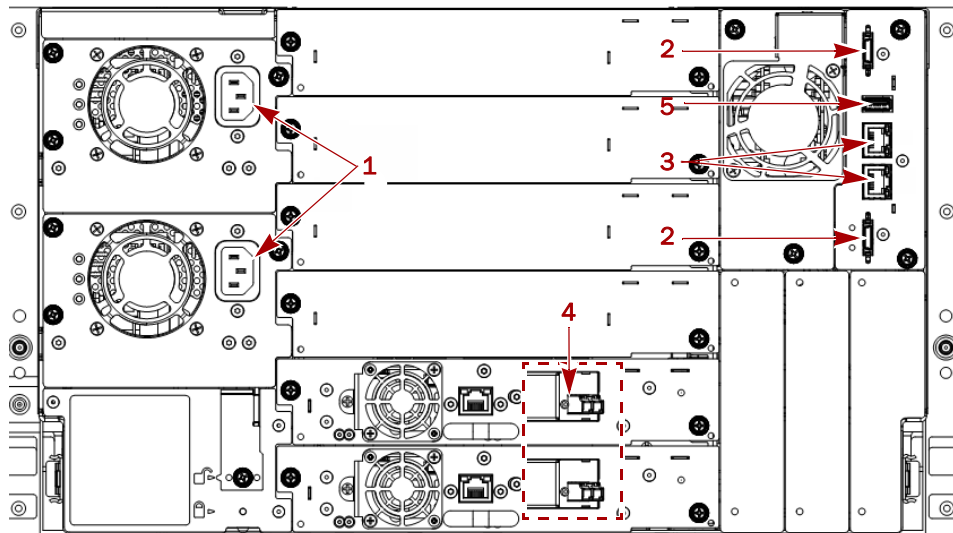


NOTE: If the library does not perform a soft shutdown, press and hold the power button for ten (10) seconds.

2. Verify that the **Robotic Assembly** is in its parked position.
3. Verify that all **host processes** are idle.

Remove the Cables

Where applicable for the module being replaced:



1. Remove all the **power cords** (1).
2. Unplug the **expansion module interconnect cables** (2) from the unit and the modules to which they are connected.

NOTE: Completely removing the cables from both ends prevents damaging the expansion interconnect cables during module removal and replacement.
3. When replacing a Base Module, if necessary, remove any **Ethernet cables** (3) from the module.
4. Remove and label **SAS/FC cables** (4) from the drives.
5. When replacing a Base Module, if necessary, remove the optional **USB device** (5).

Remove the Tape Drives

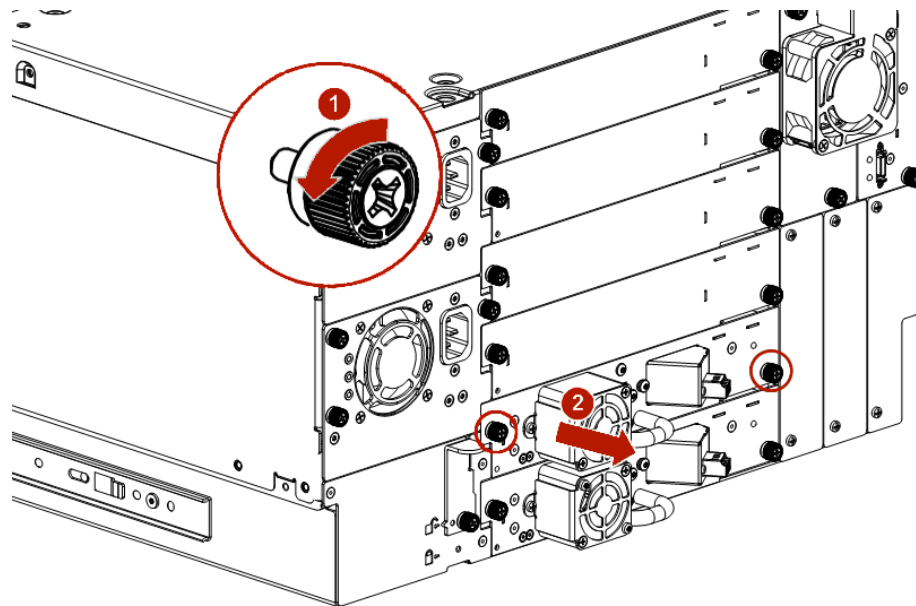
Where applicable for the module being replaced:

NOTE: Because library tracks the drive locations and issues events if the drives aren't in the expected locations, make a note of the drive locations and label the drives so they can be replaced in the same drive bays.

1. Use your fingers to loosen the **blue captive thumbscrews** on the tape drive.
2. While supporting the bottom of the drive, pull straight back on the tape **drive handle** to remove it from the module.



CAUTION: Support the bottom of the tape drive when removing it to avoid damaging any of the internal connections.



3. Place the drive on a secure **ESD surface**.
4. Repeat this process for any **additional drives**.

Remove Module from Rack

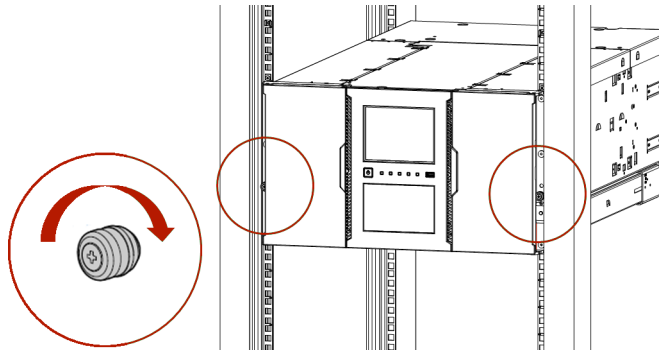


WARNING: To avoid injury, we recommend the use of a mechanical lifting aid (or at least two persons) for rack installation or removal. Use caution during rack installation or removal to avoid accidentally tilting or tipping the rack or injuring yourself.

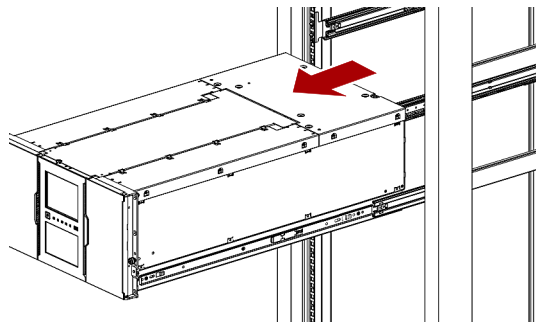
WARNUNG: Um Verletzungen zu vermeiden, empfehlen wir zur Rack-Installation oder -Deinstallation die Nutzung einer mechanischen Hebehilfe (oder mindestens zwei Personen). Seien Sie vorsichtig bei der Rack-Installation oder -Entnahme, um ein versehentliches Kippen des Racks zu vermeiden und das Rack nicht zu beschädigen bzw. sich selbst zu verletzen.

AVERTISSEMENT: Afin d'éviter des blessures pendant l'installation, il est recommandé d'utiliser un monte-charge (ou au moins deux personnes) pour élever ou aligner l'module. Faites attention lorsque vous insérez ou retirez l'module d'un support, pour empêcher le déversement accidentel de la crémaillère causant des dommages et des blessures.

1. From the front, use a #2 Phillips screwdriver to loosen the **recessed screws** two full turns on both the module and any adjacent modules.



2. From the back of the library, unlock the **alignment mechanisms** connecting the module with any adjacent modules.
3. Carefully slide the **module** out onto a mechanical lifter.




4. Place the module on a secure **ESD surface**.
5. Unpack the **new module** and place in on the surface next to the old module.



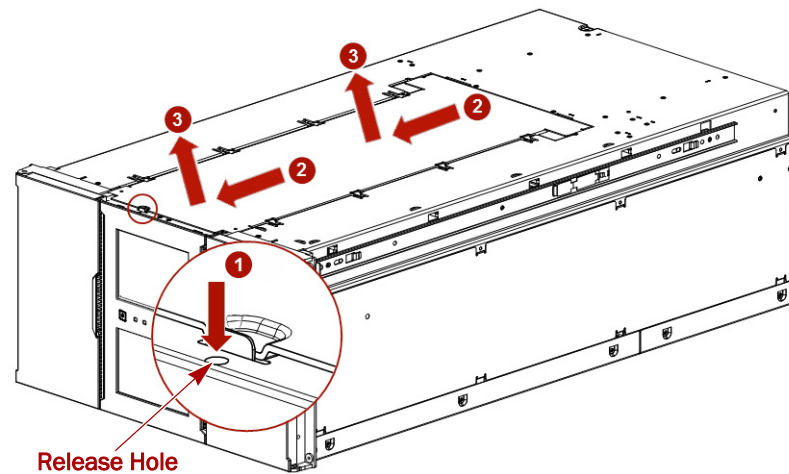
Move Covers and Components

Move Covers

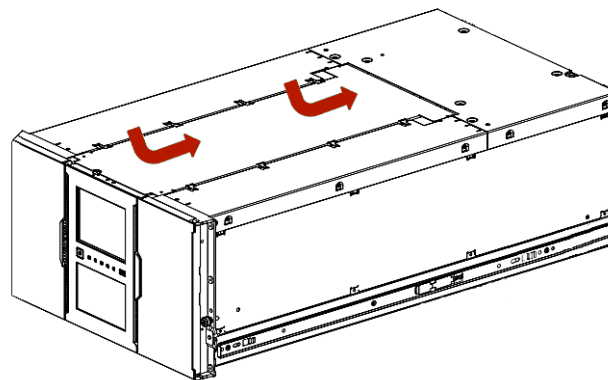
 **IMPORTANT:** When replacing a module that has a top and/or bottom cover, you must move the covers from the old module to the new one.

1. Remove the cover plate.

- a. Place the **module** on a work table.
If you are removing the bottom cover, gently turn the module over so you can access the bottom of the module.
- b. Insert a small flathead screwdriver or Torx **tool** down into the hole to release the spring lock (1).
- c. Slide the cover forward (2) until it reaches the tool in the hole, remove the tool, and continue sliding the cover to the front until all the tabs are released.



- d. Remove the **cover** (3) from the module.
 - e. If the module is upside down, gently return it to its normal position.
2. Install the cover on the other module.
- a. Place the other module on the work table.
If the module will be the bottom module in the library, gently turn the module over so you can access the bottom of the module.
 - b. Align all cover tabs with the slots on the module, gently push the cover down, and then slide it towards the back of the module until the spring lock (1) engages.



- c. If the module is upside down, gently return it to its normal position.

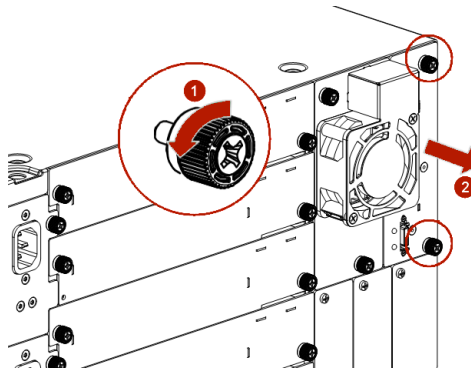
Move the Power Supplies

NOTE: If any power supplies are installed, they need to be moved to the new module.

1. At the **new** module, remove the appropriate power supply **covers**.
2. At the **old** module, loosen the **two blue captive thumbscrews** with your fingers on the power supply.
3. Use the thumbscrews to pull the **power supply** out about 4 inches (10cm).
4. While supporting the bottom, remove the **power supply**.
5. At the **new** module, position the power supply onto the **alignment rails**.
6. Slide the power supply into the **module** until it is flush with the back panel of the module.
7. Tighten the **thumbscrews** with your fingers to secure it.
8. If necessary, repeat these steps for a **redundant power supply**.
9. Install the removed power supply covers on the **old** module.

Move Controller

1. At the **old** module, loosen the **two blue captive thumbscrews** on the controller and slowly remove it from the module, setting it aside.



2. If a **Drive Power Board** is installed, also move it:
 - a. Push down the Drive Power Board **latch** to release it.
 - b. Slowly slide the **Drive Power Board** out of the module.
 - c. At the new module, position the Drive Power Board onto the **alignment rails**.
 - d. Slide the **Drive Power Board** in until seated firmly.
 - e. Push the board **latch** up until it snaps into place.
3. At the **new** module, position the **controller** on the alignment rails and slide it in until it is flush with the back panel of the module.
4. Tighten the **thumbscrews** with your fingers to secure it to the module.

Move Drive Bay Covers

If any drive bays on the old Expansion Module have covers installed, they need to be moved to the new Expansion Module.

Insert the Module in Rack

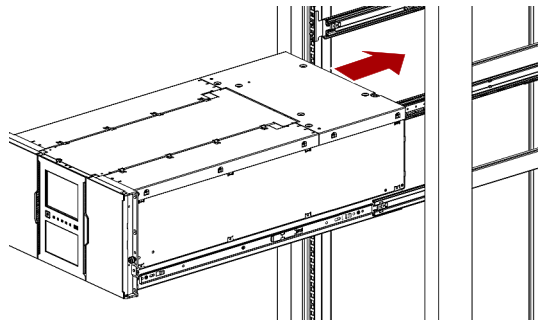


WARNING: To avoid injury, we recommend the use of a mechanical lifting aid (or at least two persons) for rack installation or removal.

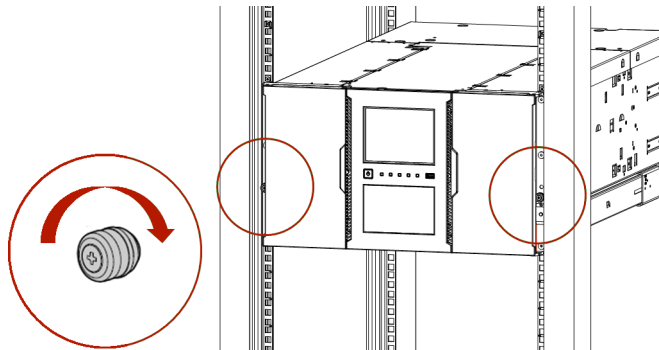
WARNUNG: Um Verletzungen zu vermeiden, empfehlen wir zur Rack-Installation oder -Deinstallation die Nutzung einer mechanischen Hebehilfe (oder mindestens zwei Personen).

AVERTISSEMENT: Afin d'éviter des blessures pendant l'installation, il est recommandé d'utiliser un monte-charge (ou au moins deux personnes) pour élever ou aligner l'module.

1. Using the mechanical lifter, position the **module** in front, aligned with the rack rails.
2. Slide the module onto the **rail flanges** and into the rack.

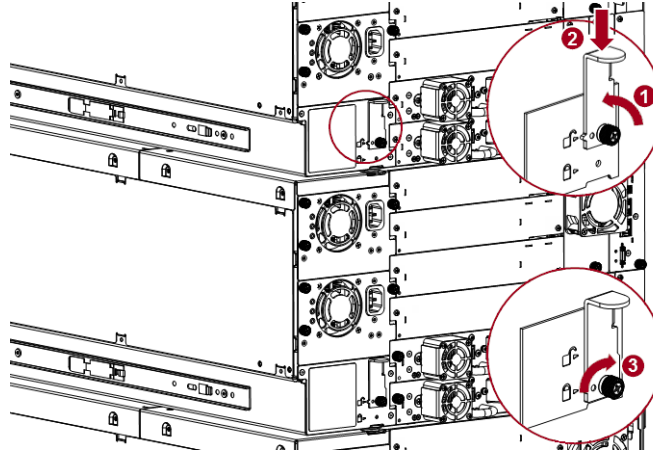


3. Tighten the **recessed screws** only one turn to hold the module.



- At the back of the library, using the **alignment lock lever**, align and lock the new module to any adjacent modules.

NOTE: The library will not operate unless the alignment mechanism is in the locked position (except the bottom module).



Release the thumbscrew (1), push down the latch (2), and re-tighten the thumbscrew (3). If you encounter resistance, adjust the upper module so that the alignment mechanism pin moves into the mating hole in the lower module.

- Verify that, for the lowest module in the library, its alignment mechanism is in the **unlocked position**.
- From the front of the library, tighten the **Phillips screws** on both the new module and any adjacent modules to secure them all to the rack.

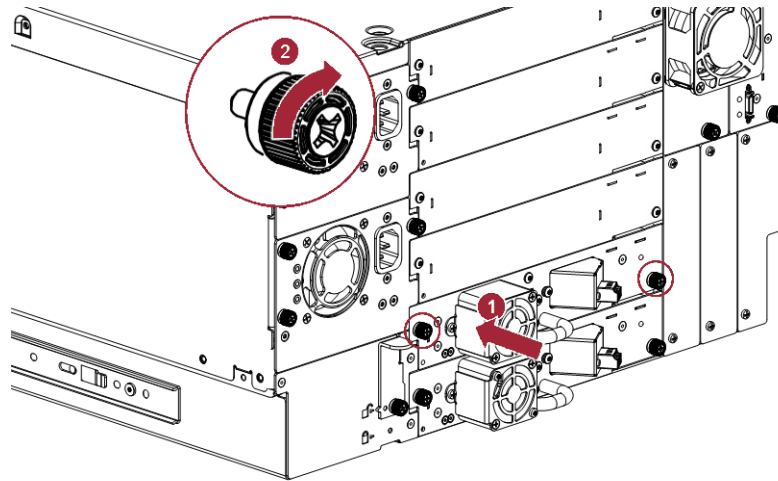
Complete the Installation

Reinstall Tape Drives

If any tape drives were in the old module, install them in the same bays in the new module:

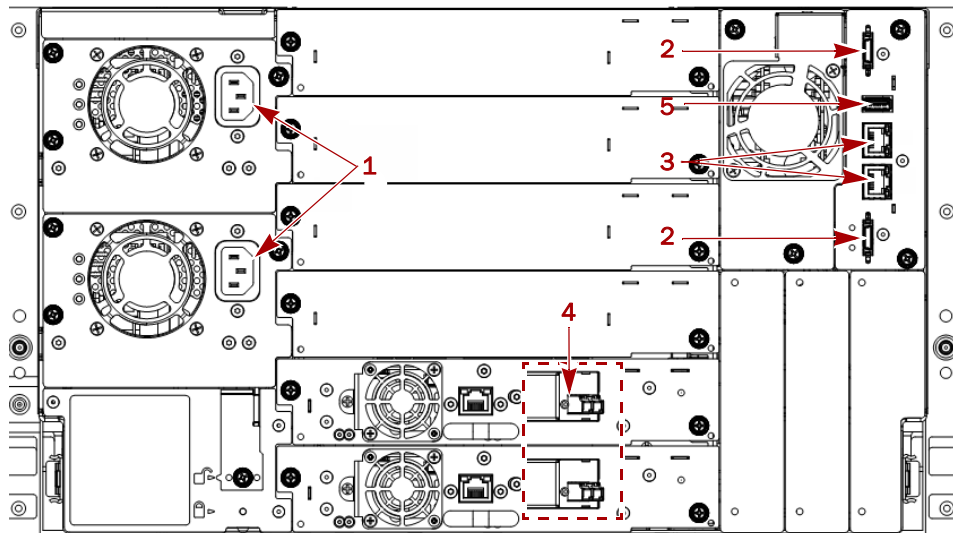
- Holding a **tape drive** by the handle and supporting it from the bottom, position it on the alignment rails of the appropriate bay.

2. Slowly slide the tape drive into the **drive bay** until it is flush with the back of the library.



3. Finger-tighten the **blue captive thumbscrews** to secure.
4. Repeat [Steps 1–3](#) for any **additional tape drives**.

Reattach Cables and Cords



1. Reconnect the **expansion interconnect cables** (2) from the Expansion Module to any adjacent Expansion Modules.
2. If previously removed from the old Base Module, reconnect any **Ethernet management cables** (3).
3. Reconnect any **SAS/FC cables** (4) to the same tape drives.
4. If previously removed from the old Base Module, reinsert the **USB device** (5).
5. Reconnect the **AC power cords** (1) to the power supplies.

Reinstall Tape Magazines

Reinstall the previously removed tape magazines into the new module.

1. Using the magazine **access handle** and supporting it underneath, position the magazine on the alignment rails.
2. Slide the **magazine** into the module.
3. Repeat [Steps 1–2](#) for the **other magazine**.

Verify the Library Configuration

Power on the library and check the following:

- Verify that the library powers on and initializes correctly, and that the status is **Ready**.
- From the OCP or RMI, verify that the new module is visible.
- Check the library configuration settings related to the additional storage slots, mailslots, and tape drives. Update if necessary.

The module operates using the existing library firmware. It is recommended that you always update the library to the latest firmware version. You can update firmware from the RMI (**Maintenance > Software Upgrades > System Firmware**) or the OCP (**Maintenance > Software Upgrades**).

Move a Tape Library



IMPORTANT: Review [Chapter 2, “Installation,”](#) before moving the library. When moving a library either within a rack or to a different rack, care must be taken to avoid personal injury and damage to the module.

To move a tape library:

1. Save the library configuration.
2. Remove any tape cartridges from the tape drives, remove the tape magazines, and power off the library.
3. Disconnect the power cords and cables, and unlock the alignment mechanisms.



CAUTION: Failure to disconnect all cables can result to damage to the cable and/or the mating electronic assembly in the library.

4. Carefully release and remove the modules from the rack.
5. Remove the rack rails from the rack and, after verifying that the destination rack is level side to side and front to back, install the rails in the destination rack.
6. Carefully install the modules in the rack and lock the alignment mechanisms.
7. Reconnect the cables to the appropriate ports.
8. Connect the power cords, power on the library, and verify the operation.
9. Reinstall the tape magazines.

See [Replace a Module \(Base or Expansion\) on page 143](#) for details.

Replace the Robotic Assembly and Spooling Mechanism

Use this process to replace the Robotic Assembly and Spooling Mechanism in a Base Module.



IMPORTANT: Review “[Electrostatic Discharge](#)” in the “[Preface](#)” before replacing a library component.

Prepare Module for Removal

Each Base Module weighs more than 78.3 lbs. (35.5kg) without drives or tapes and more than 104.3 lbs. (47.5kg) with six tape drives and 80 tapes. Before moving or lifting the module, remove the tape magazines and drives to reduce the weight.

Remove the Tape Cartridges

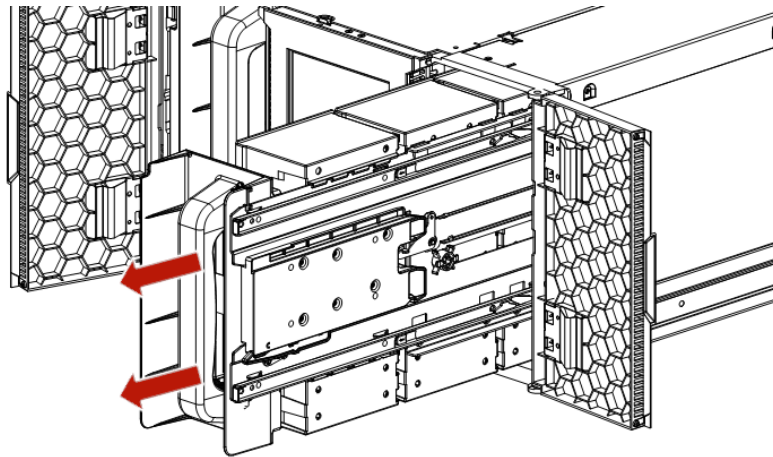


IMPORTANT: As a best practice, perform this procedure while applications are idle. While the magazine is pulled or removed, the library Robotic Assembly cannot move media. Only one magazine can be open at a time.

1. Using either the magazine **unlock buttons** or RMI to unlock a tape magazine.

NOTE: If these methods fail, or if a magazine needs to be removed when the power to the device is off, you can release the magazine manually. Refer to [Magazine Manual Release](#) on page 43.

2. Supporting it underneath, remove the **tape magazine**.



NOTE: Do not remove the tape cartridges from the magazine as they need to be in the same slot locations in the new module.

3. Repeat these process for the **other** magazine.

Power Off the Library

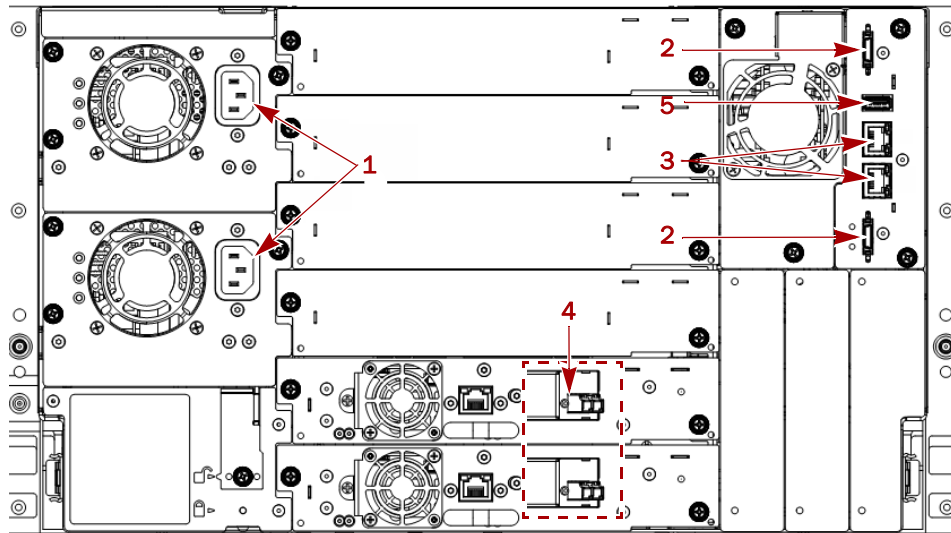
1. From the front panel, press and hold the **power button** for three (3) seconds.



NOTE: If the library does not perform a soft shutdown, press and hold the power button for ten (10) seconds.

2. Verify that the **Robotic Assembly** is in its parked position.
3. Verify that all **host processes** are idle.

Remove the Cables



1. Remove all the **power cords** (1).
2. Unplug the **expansion module interconnect cables** (2) from the Base Module and any adjacent modules.

NOTE: Completely removing the cables from both ends prevents damaging the expansion interconnect cables during module removal and replacement.

3. Remove any **Ethernet cables** (3) from the module.
4. Remove and label the **SAS/FC cables** (4) from the drives.
5. If present, remove the optional **USB device** (5).

Remove the Tape Drives

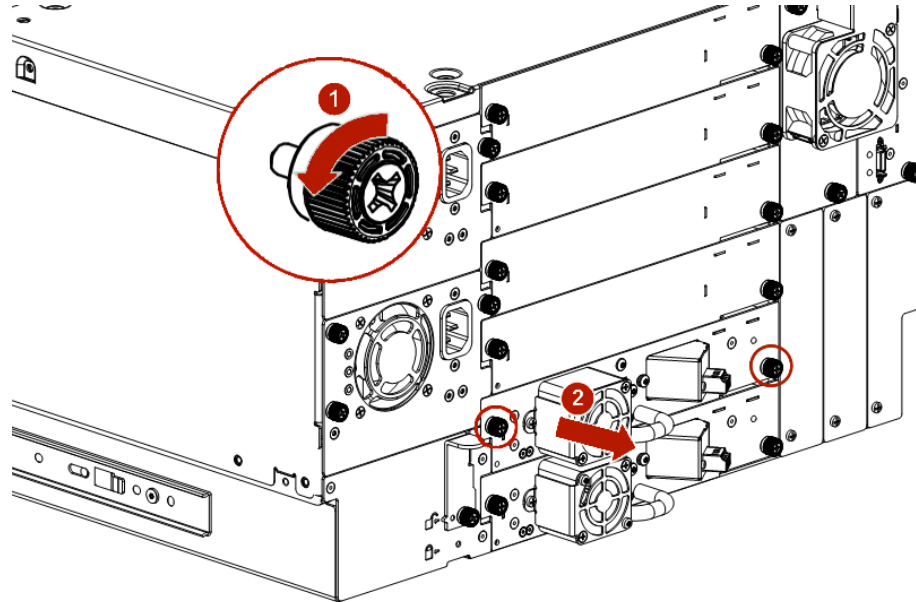
Remove the tape drives to lessen the module's weight.

NOTE: Because library tracks the drive locations and issues events if the drives aren't in the expected locations, label the drives so they can be replaced in the same drive bays.

1. Use your fingers to loosen the **blue captive thumbscrews** on the tape drive.
2. While supporting the bottom of the drive, pull straight back on the tape **drive handle** to remove it from the module.



CAUTION: Support the bottom of the tape drive when removing it to avoid damaging any internal connections.



3. Place the drive on a secure **ESD surface**.
4. Repeat this process for any **additional drives**.

Remove Module from Rack

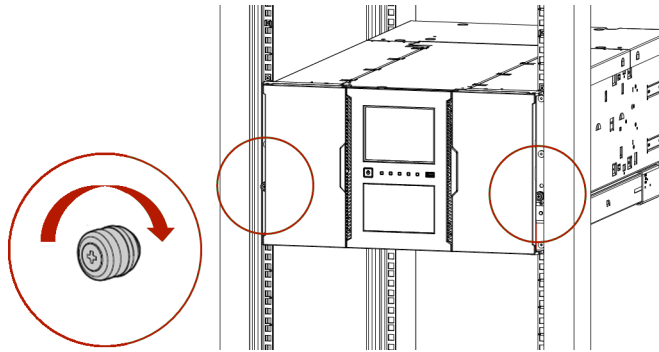


WARNING: To avoid injury, we recommend the use of a mechanical lifting aid (or at least two persons) for rack installation or removal. Use caution during rack installation or removal to avoid accidentally tilting or tipping the rack or injuring yourself.

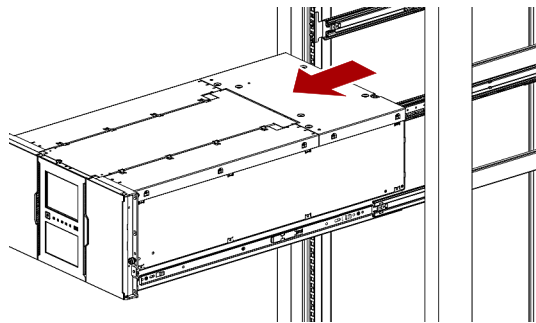
WARNUNG: Um Verletzungen zu vermeiden, empfehlen wir zur Rack-Installation oder -Deinstallation die Nutzung einer mechanischen Hebehilfe (oder mindestens zwei Personen). Seien Sie vorsichtig bei der Rack-Installation oder -Entnahme, um ein versehentliches Kippen des Racks zu vermeiden und das Rack nicht zu beschädigen bzw. sich selbst zu verletzen.

AVERTISSEMENT: Afin d'éviter des blessures pendant l'installation, il est recommandé d'utiliser un monte-charge (ou au moins deux personnes) pour élever ou aligner l'module. Faites attention lorsque vous insérez ou retirez l'module d'un support, pour empêcher le déversement accidentel de la crémaillère causant des dommages et des blessures.

1. From the front, use a #2 Phillips screwdriver to loosen the **recessed screws** two full turns on **both** the Base Module and any adjacent modules.



2. From the back of the library, unlock the **alignment mechanisms** connecting the Base Module with any adjacent modules.
3. Carefully slide the **Base Module** out onto a mechanical lifter.



4. Place the module on a secure **ESD surface**.



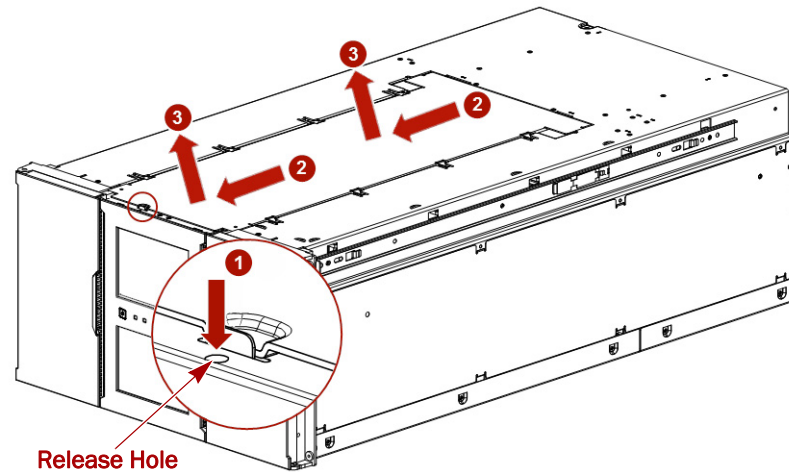
5. Unpack the new **Robotic Assembly and Spooling Mechanism**, placing them next to the module.

Remove Top Cover

If the Base Module has a top cover, it must be removed:

1. Place the **Base Module** on a work table.
If you are removing the bottom cover, gently turn the Base Module over so you can access the bottom of the module.
2. Insert a small flathead screwdriver or Torx **tool** down into the hole to release the spring lock (1).

- Slide the cover forward (2) until it reaches the tool in the hole, remove the tool, and continue sliding the cover to the front until all the tabs are released.



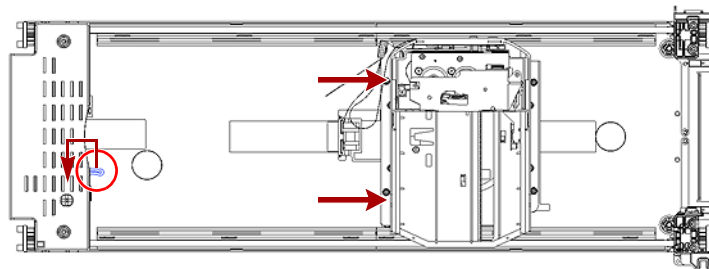
- Remove the **cover** (3) from the module.
- If the Base Module is upside down, gently return it to its normal position.

Remove Old Robotic Assembly

Remove the old Robotic Assembly and the Spooling Mechanism for replacement.

Unlock the Robotic Assembly

NOTE: If necessary, slide the robotics' cartridge carrier manually toward the center of the Robotic Assembly to access the blue locking lever.

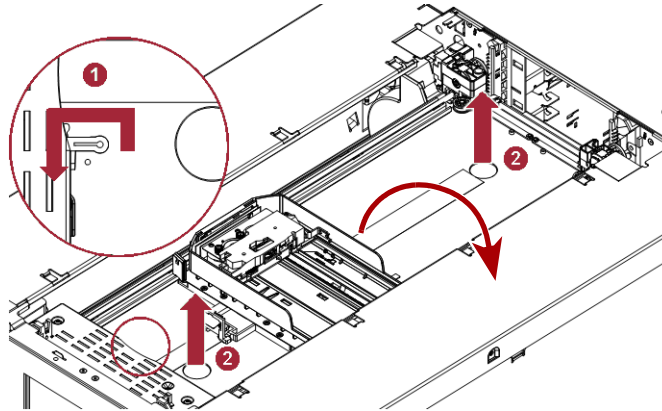


Standing at the front of the module, unlock the robot by moving the **blue lever** to the left, then toward you, then to the right.

If a tape cartridge is still in the Robotic Assembly cartridge carrier, remove the cartridge by lifting it straight up. You may need to move the cartridge slightly from side to side.

Extract the Robotic Assembly from the Module

Gently pull the Robotic Assembly out of the module.

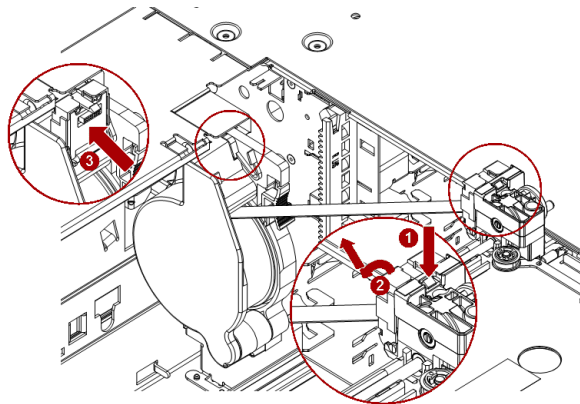


1. Place your fingers into the **large holes** on the Robotic Assembly and pull up slowly (about 1/2 inch [13mm] per second) until clear.
2. Lift the **Robotic Assembly** gently from inside the module and place it on top of the module on the right side (opposite the Spooling Mechanism) and slightly to the front.

NOTE: Be careful not to damage the spooling cable.

Remove the Spooling Mechanism

1. Detach the **spooling cable connector** from the Robotic Assembly.



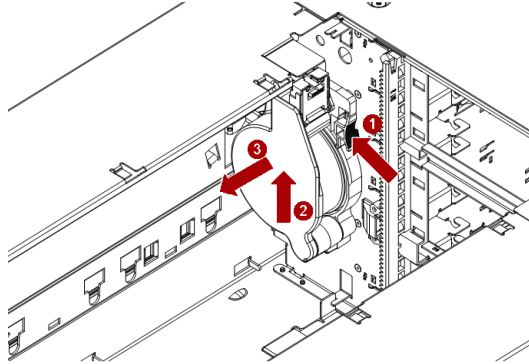
- a. Use a small flat-head screwdriver or Torx tool to press the **small latch** down (1) and push it out (2) to unlock the **spooling cable connector** on the robotics rear left.
- b. Pivot the **connector** out from the Robotic Assembly, loop the cable over the top of the Spooling Mechanism, and slip the end of the connector into the docking slot (3) at the top of the mechanism.

The spooling cable should lay flat across the top of the mechanism.

NOTE: Note the hooks on the Robotic Assembly where the end of the spooling cable pivots. This is important to know when you attach the new spooling cable to the new Robotic Assembly.

2. Move the Robotic Assembly to a secure **ESD surface**.

3. Remove the **Spooling Mechanism**.
 - a. Press down the **latch** (1) at the top rear of the Spooling Mechanism.
 - b. Move the entire Spooling Mechanism gently upward until the rear connector releases.



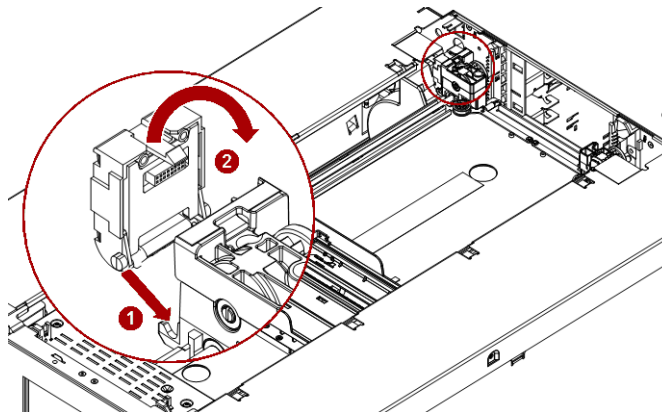
- c. Pull the **Spooling Mechanism** to the front, releasing it from the rear metal wall, and set it aside.

Install the New Robotic Assembly

Install the new Spooling Mechanism and Robotic Assembly in the Base Module.

Install the New Spooling Mechanism

1. Hold the new **Spooling Mechanism** in front of the rear metal wall attachment point with the docked spooling connector to the top left.



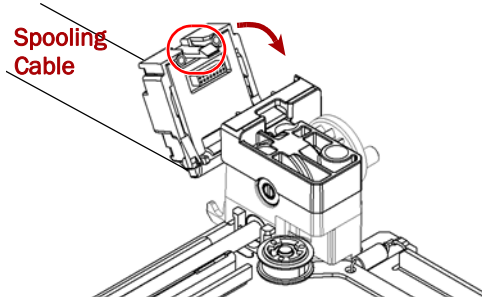
2. Align the **latch** at the top rear of the Spooling Mechanism with the **keyhole** in the rear metal wall.
3. Push the **Spooling Mechanism** in and then to left until the rear plug is connected and the mechanism snaps into place.
It may help to push the right side with your other hand.

Install the Robotic Assembly

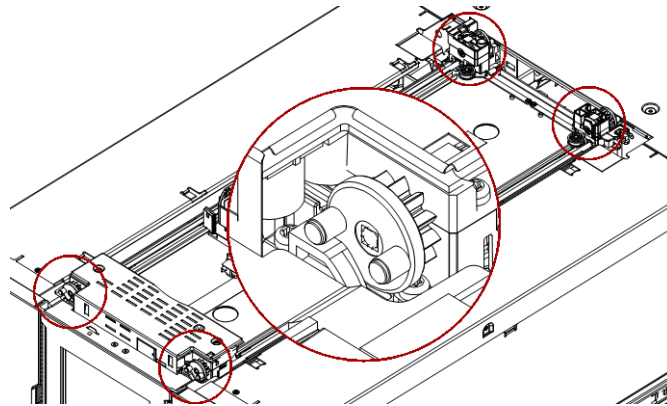
1. Position the **new Robotic Assembly** resting on the right side of the module.

2. Verify that the Robotic Assembly is **unlocked**.
If not, unlock it by moving the blue lever to the left, then toward the front, and then to the right.

3. Attach the Spooling Mechanism **connector**:



- a. Unlock the **connector** from the Spooling Mechanism top and hold it with the latch end up.
 - b. Place the **cable end** into the Robotic Assembly hooks.
 - c. Pivot the **top** into position so that latch connects.
4. Rotate **one of the corner gears** on the Robotic Assembly so that the two pins are **aligned horizontally**.
All the gears are synchronized and will also be aligned.
 5. Gently place the Robotic Assembly gears onto the top of the **grooves** of the four vertical gear rails.



6. Gently push the Robotic Assembly down until the **base** of the Robotic Assembly is on the bottom of the module.



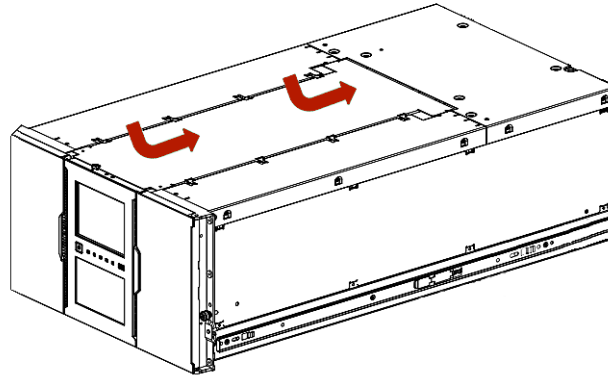
CAUTION: Lower the Robotic Assembly no faster than 1/2 inch (13mm) per second. If the Robotic Assembly is not aligned properly or you push too hard or too quickly, damage to the Robotic Assembly and the Base Module may occur.

NOTE: The Robotic Assembly should drop smoothly by itself. If it does not, check the alignment of the gears.

7. Lock the Robotic Assembly by moving the **blue lever** to the left, then toward the rear, and then to the right.

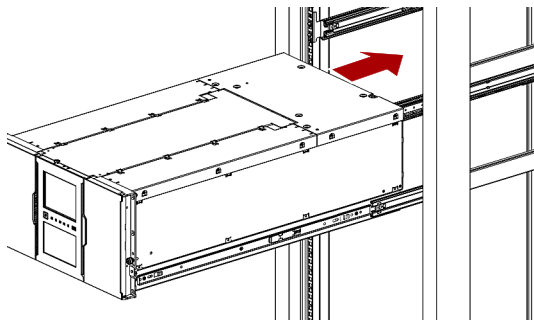
Reinstall the Cover

Align all cover tabs with the slots on the Base Module, gently push the cover down, and then slide it towards the back of the module until the spring lock engages.

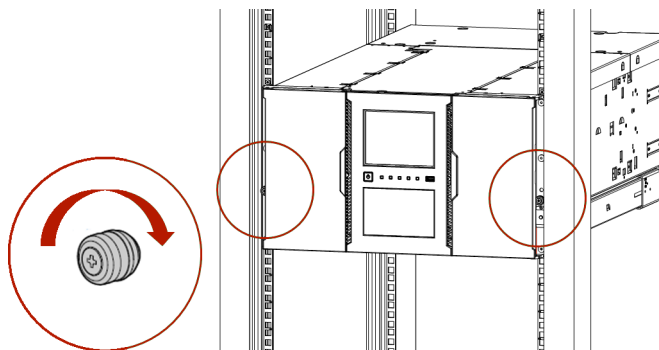


Reinsert the Module in Rack

1. Using the mechanical lifter, position the **Base Module** in front of the rack from where it was removed and aligned it with the rack rails.
2. Slide the module onto the **rack rail flanges** and into the rack.



3. Tighten the **recessed screws** only one turn to hold the module.

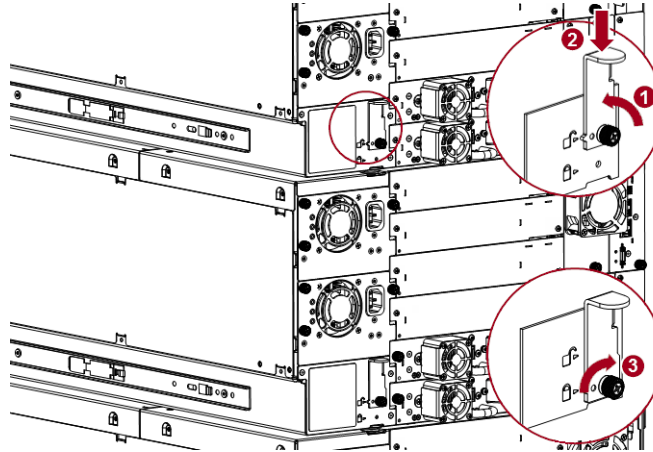


Aligning and Connecting the Module

Aligning the Base Module with the other library Expansion Modules ensures that the Robotic Assembly can move freely between the modules.

NOTE: The library will not operate unless all the alignment mechanisms (except the one on the bottom module) are in the locked position.

1. At the back of the library, using the **alignment lock lever**, align and lock the Base Module to any Expansion Modules to which it connects.



Release the thumbscrew (1), push down the latch (2), and re-tighten the thumbscrew (3). If you encounter resistance, adjust the upper module so that the alignment mechanism pin moves into the mating hole in the lower module.

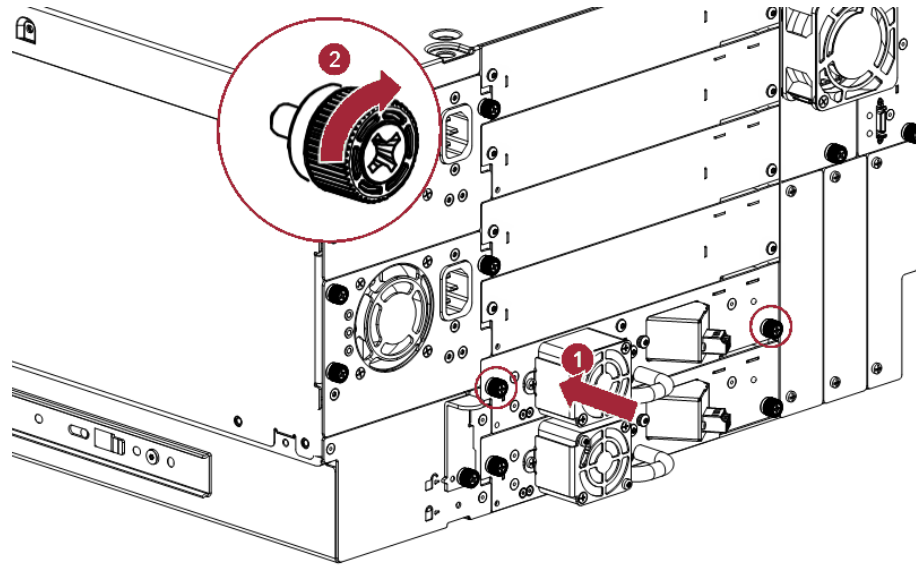
2. If necessary, verify that the **lowest** module in the library has its alignment mechanism in the **unlocked position**.
3. At the front of the library, tighten the **recessed screws** on both the Base Module and any adjacent Expansion Modules to secure them all to the rack.

Complete the Reinstallation

Reinstall Tape Drives

Start with the lowest tape drive bay and install upwards. Ensure that the same drive is going into its appropriate bay.

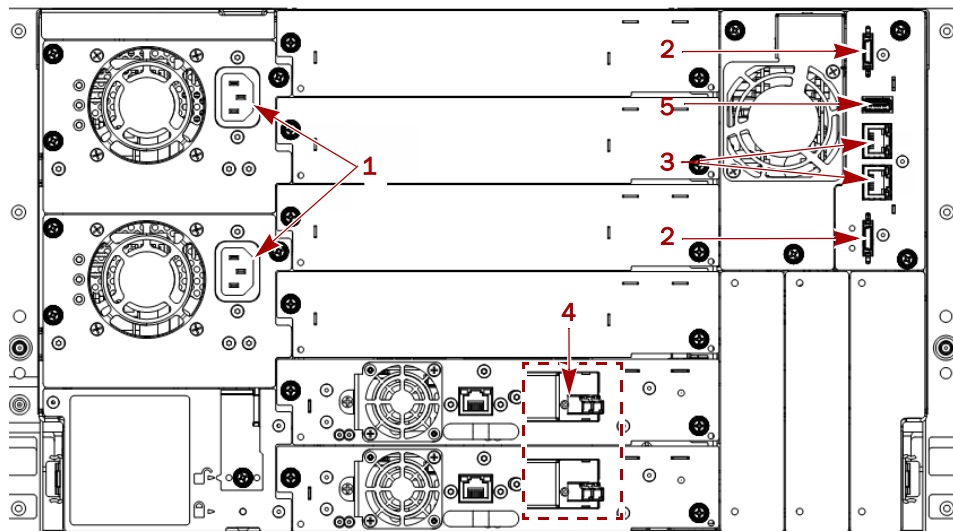
1. Holding a **tape drive** by the handle and supporting it from the bottom, position it on the alignment rails.



2. Slowly slide the tape drive into the **drive bay** until it is flush with the back of the library.
3. Finger-tighten the **blue captive thumbscrews** to secure.
4. Moving upwards, repeat [Steps 1–3](#) for any **additional tape drives**.

Reattach Cables and Cords

1. Reconnect the **expansion interconnect cables** (2) from the Base Module to any adjacent Expansion Modules.

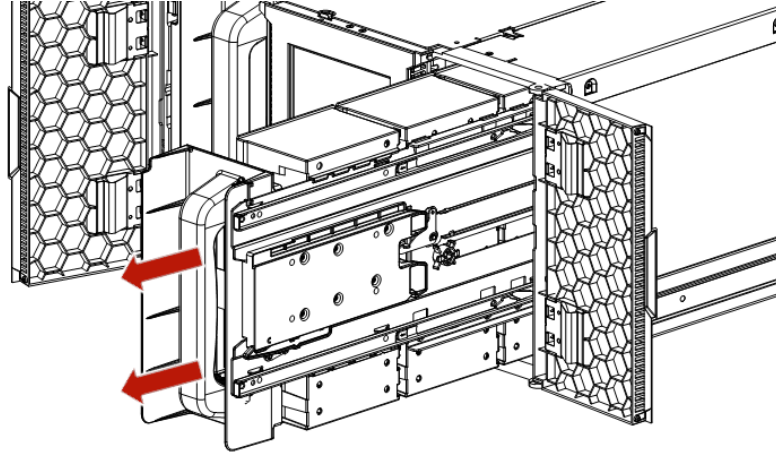


2. Reconnect the **Ethernet management cables** (3).
3. Reconnect the **SAS/FC cables** (4) to the tape drives.
4. If you removed one earlier, reinsert the **USB device** (5).
5. Reconnect the **AC power cords** (1) to the power supplies.

Reinstall Tape Magazines

Reinstall the previously removed tape magazines (and tapes) into the Base Module.

1. Using the magazine **access handle** and supporting it underneath, position the magazine on the alignment rails of the appropriate bay.



2. Slide the **magazine** into the module.
3. Repeat [Steps 1–2](#) for the **other magazine**.

Verify the Library Configuration

Power ON the library and check the following:

- Verify that the library powers ON and initializes correctly, and that the status is **Ready**.
- Check the library configuration settings related to the additional storage slots, mailslots, and tape drives. Update the settings if necessary.
- If the UID LEDs are still illuminated, deactivate them using the RMI.

It is recommended that you always update the library to the latest firmware version. You can update firmware from the RMI (**Maintenance > Software Upgrades > System Firmware**) or the OCP (**Maintenance > Software Upgrades**).

```
Serial #: DE68101108
Hostname: TL-1C247A
IPv4: 10.20.64.41
Firmware: 2.60
```

Replace the Base Module Front Bezel/OCP



IMPORTANT: Review [“Electrostatic Discharge”](#) in the [“Preface”](#) before replacing a library component.

Power Off the Library

If the library is still powered on:

1. From the front panel, press and hold the **power button** for three (3) seconds.



NOTE: If the library does not perform a soft shutdown, press and hold the power button for ten (10) seconds.

2. Verify that the **Robotic Assembly** is in its parked position.
3. Verify that all **host processes** are idle.

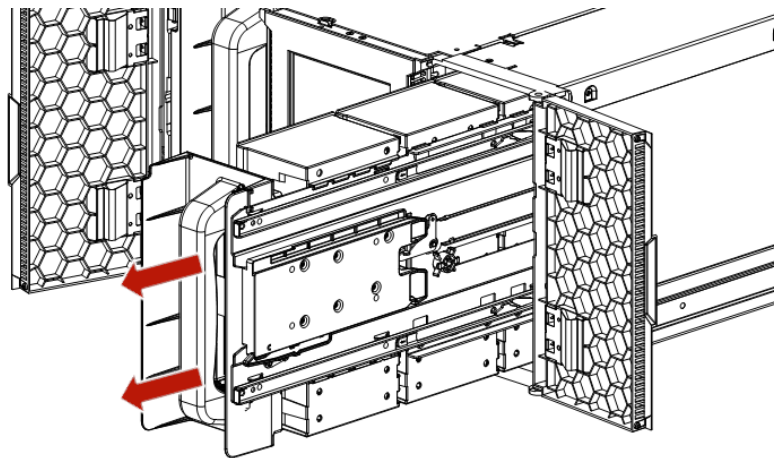
Remove the Tape Magazines

1. To manually release the magazine, insert a small flat-head screwdriver or Torx driver into the appropriate magazine release hole and gently push the tab in.



IMPORTANT: Do not exert force once you encounter resistance. Doing so can damage the device.

2. Supporting it underneath, remove the **tape magazine**.



NOTE: Do not remove the tape cartridges from the magazine as they need to be in the same slot locations in the new module.

3. Repeat these process for the **other** magazine.

Remove the Bezel

1. Insert a small flat-head or Torx screwdriver into one the two silver bezel **release holes** at bottom of the center of the bezel.
2. Push the screwdriver until the **bezel** is released.
Slightly move that side of the bezel out to prevent it from relatching.
3. Insert the screwdriver into the **other hole** and push it in.
4. Swing the bottom of the **bezel** up to release it.

NOTE: Pull gently to avoid damaging the OCP cable. Note where the OCP cable is located, routed, and attached.

5. Disconnect the **OCP cable**.

Install the Bezel

1. Attach the **OCP cable** of the new bezel.
2. Place the top tabs of the bezel into the slots in the **top slots** of the module.
3. Rotate the bezel **bottom** inward until it snaps in place.

Reinstall Tape Magazines

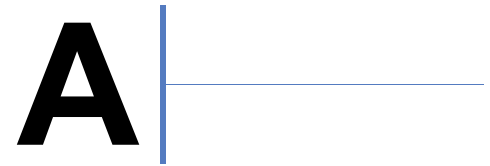
Reinstall the previously removed tape magazines into the Base Module.

1. Using the magazine **access handle** and supporting it underneath, position the magazine on the alignment rails.
2. Slide the **magazine** into the module.
3. Repeat [Steps 1–2](#) for the **other magazine**.

Power On the Library

Power on the library by pressing the power button just below the OCP display. The green light illuminates.

When the library is powered on, it inventories the tape cartridges in the magazines, checks the firmware version on all modules, configures the tape drives, confirms the presence of the existing modules, and searches for any new modules.



Troubleshooting

This appendix provides troubleshooting steps for your NEO.

Topics in Troubleshooting:

- [Fibre Channel Connection Problems](#)
- [Detection Problems After Installing a SAS Drive](#)
- [Operational Problems](#)
- [Performance Problems](#)
- [Finding Event Information](#)
- [Unlocking a Magazine](#)
- [Unloading a Stuck Tape](#)
- [Returning the Robotic Assembly to the Base Module](#)
- [Running Library Tests](#)

Fibre Channel Connection Problems

Use the RMI **Status > Drive Status** page to check the link connection for your tape drive.

- If the RMI page shows **Logged Out**:
 - Check that the Fibre speed is set to **Automatic** or that the correct Fibre speed is selected. If you are unsure of the speed of the HBA or switch that the drive is connected to, try **Automatic**.
 - Check that the correct port type, **Fabric** or **Loop**, is selected. Loop requires additional configuration. If you are unsure of the correct port type, try **Automatic**.
- If the RMI page shows **No Link**, the Speed Status is a dash (-), and the Link LED on the back of the drive is OFF, then the speed is probably set incorrectly. Try setting the speed to **Automatic**.

If there are still issues, change the port type to **Auto Detect**.

- If the RMI page shows **No Light**:
 - The cable is not plugged in correctly. Check that it is connected correctly to Port A of the tape drive.
 - The cable is damaged. FC cables are delicate. If the cable has been bent or twisted sharply, it might be broken and must be replaced.
- If the RMI page shows **ALPA Conflict**, there might be a conflict with the ALPA address on Loop ports.

Select **Soft** for the Loop mode to allow the system to select an available address each time the tape drive connects to the FC fabric. If your server configuration does not support changing addresses, try using the **Hard Auto-Select** option for the Loop mode. This allows the system to select an available address when it first connects, and then retain that address for future connections.

Detection Problems After Installing a SAS Drive

Problems encountered after installation are often caused by either improper SAS cable connections, application software configuration errors, or an incorrectly configured operating system. If the application software or operating system does not communicate with the library after installation, determine the extent of the detection problem:

- Does the application software detect the tape drive?
- Does the application software detect the library?
- Does the operating system detect the tape drive?
- Does the operating system detect the library?
- Does the operating system detect the library, but list it as a generic device?

Based on the extent of the detection problem, check the following:

- If neither the application software nor operating system detects the tape drive, or they do not detect both the tape drive and the library:
 - Verify that all SAS cables are securely connected on both ends. If the mini-SAS connectors that connect to the tape drive (and some HBAs) will not plug in, check the key. The mini-SAS HD connector on the tape drive is keyed at location four, which is the standard location for end devices. If the connector on the cable is keyed in a different location, not only will the connector not plug in, but the cable probably will not work.
 - Check the length and integrity of your SAS cabling. For reliable operation, do not use a SAS cable longer than six meters. Do not use a cable adapter or converters between the HBA and the library.
 - Check the SAS connectors for damage or debris.
 - Verify that your HBA is supported by the host computer and qualified with the library.
 - Verify that your HBA has the latest firmware.

- If the application software or operating system detects the tape drive, but not the library:

Verify that multiple LUN support is enabled on the HBA. The library uses two Logical Unit Numbers (LUNs) to control the tape drive (LUN 0) and robotic (LUN 1). The library requires an HBA with multiple LUN support and multiple LUN support must be enabled on the host computer. When multiple LUN support is not enabled, the host computer can see the tape drive, but not the library.

NOTE: Many RAID or array controllers do not provide multiple LUN support.

- If the application software or operating system does not detect any devices on the HBA:
 - Verify that the SAS host adapter is installed correctly. Refer to the manual that came with your host adapter for installation and troubleshooting instructions. Pay particular attention to any steps describing configuration settings. Make sure that the host adapter is properly seated in the motherboard slot and the operating system correctly detects the host adapter.
 - Verify that the proper device driver is installed for the SAS host adapter.

- If the library is detected by the operating system, but not by the application software:
Refer to the documentation included with your backup application for instructions on how to verify proper installation. Some backup software packages require an additional module to communicate with the robotics.

- If the library is detected by the operating system, but is listed as an unknown or generic device:
Make sure that the proper device driver, if applicable, is installed for the device. Check your software provider's website for the latest drivers and patches.

NOTE: Many backup applications use their own drivers. Before installing a driver, make sure it is not in conflict with the application software.

If you continue to have problems with a SAS library, check the following:

- Ensure that the library is compatible with the SAS host adapter and backup application you plan to use.
- Verify that your HBA is supported by the host computer and qualified with the library.
- Ensure you are using a compatible, high-quality cable.

Operational Problems


Power Problems

Problem	Solution
Device does not power on.	<ul style="list-style-type: none"> • Check all power cord connections. • Check the LEDs on the power supplies to verify that they are working. • Make sure the power button on the front panel has been pressed, and the green Ready LED is lit. • Make sure the outlet has power. Try another working outlet. • Replace the power cord.
No message appears on the OCP display.	<ul style="list-style-type: none"> • Check all power cord connections. • Check the LEDs on the power supplies to verify that they are working. • Make sure the power button on the front panel has been pressed, and the green Ready LED is lit. • Make sure the outlet has power. Try another working outlet.

OCP Alerts and Errors

Problem	Solution
The OCP display is a warning or error icon.	Tap the icon to see more information about the event on the LCD.
The OCP displays an error code.	Look up the error code, try to resolve the failure, and power cycle the library (see Appendix B, "Event Codes and Acronyms").

Tape Movement Problems

Problem	Solution
Tape stuck in drive.	<p>Try the following steps, in this order, to remove the stuck tape.</p> <p>NOTE: The tape drive must rewind the tape before ejecting it. This can take as long as five minutes, depending on how much tape must be rewound. Once the tape is rewound, the eject cycle will take fewer than 16 seconds.</p> <p>The Ready light flashes while the tape rewinds. Wait for the tape to finish rewinding before attempting another operation.</p> <p>Attempt to unload the tape from your backup software.</p> <p>Shut down the backup software and stop the operating system's removable storage services. From the RMI Operation > Move Media page, attempt to unload or move the tape to a slot.</p> <p>Power down the library, disconnect the cable from the drive, power up the library, and wait until the tape drive is idle or ready. From the RMI Operation > Move Media page, attempt to unload or move the tape to a slot.</p> <p>From the RMI Operation > Force Drive Media Eject page, attempt a force eject or emergency unload operation.</p> <hr/> <p> IMPORTANT: Inspect the tape cartridge that was stuck. Damage or misplaced labels on the cartridge could have caused the load/unload failure. Discard any tape cartridge found to have issues.</p>
Tape cannot be removed from storage slot.	<ol style="list-style-type: none"> 1. Unlock the magazine from the RMI Operation > Open Magazine page (or manually) and open it to access the storage slot. 2. Grasp the cartridge and remove it from the storage slot. Some tapes need to be inserted and removed several times to condition them for free movement in and out of the magazine. 3. Check the barcode label and verify that it is secure to the cartridge. 4. Check the cartridge for damage. 5. Check the storage slot for damage.

Media Problems

Problem	Solution
Cleaning or data cartridge incompatible with drive.	<ul style="list-style-type: none"> • Check the event log to see which cartridge is incompatible. • Make sure you are using data and cleaning cartridges that are compatible with the drive and model of your device and that you are using the correct cartridge type for the operation. The device automatically unloads incompatible cartridges, the Attention LED flashes. Export the media.
Cannot write to or read from tape.	<ul style="list-style-type: none"> • Make sure that the cartridge is not a WORM cartridge that has already been used. • Make sure that the cartridge is write enabled (move the write-protect switch to the enabled position). • Make sure the data cartridge is compatible with the drive model. LTO tape drives can read data cartridges from two generations back and write to data cartridges one generation back. • Make sure you are using an Ultrium cartridge that has not been degaussed. Do not degauss Ultrium cartridges! • Make sure that the cartridge has not been exposed to harsh environmental or electrical conditions and is not physically damaged in any way. • Many backup applications do not read or write to cartridges that were created using a different backup application. In this case, you may have to perform an erase, format, or label operation on the cartridge. • Make sure you understand any data protection or overwrite protection schemes that your backup application may be using, which could prevent you from writing to a given cartridge. • Retry the operation with a different, known good tape. • Clean the tape drive from the RMI Operation > Clean Drive page.

Attention LED is Lit

Problem	Solution
Both the Attention and Clean LEDs are lit.	<p>This is most likely caused by a dirty drive that cannot read a tape and marks the tape invalid.</p> <p>Log into the OCP or RMI and check the event log to see which drive has reported that it needs cleaning. Clean the drive with an approved Ultrium cleaning cartridge.</p>
A particular cartridge triggers the Clean LED.	Remove the cartridge from the library.
A cartridge recently imported from a different environment is causing issues.	Media that is moved from one environment to another can cause issues until it has acclimated to the new conditions. A cartridge should be acclimated for at least 24 hours before being used, particularly if it has been stored at a substantially different temperature or level of humidity than the library.

Problem	Solution
The Attention LED is lit but the Clean LED is not lit after a cartridge load.	The library was unable to complete the requested operation with the selected tape cartridge. <ul style="list-style-type: none"> • Use only cartridges that are compatible with the drive type. • Use the correct type of cartridges for the operation. For example, use a cleaning cartridge for cleaning. • Make sure you are using an Universal cleaning cartridge.
The Attention LED is lit but the Clean LED is not lit after a cartridge load.	The cleaning cartridge has expired. A cleaning cartridge expires after 50 cleaning cycles.
A particular cartridge sets off the Attention LED and possibly the Clean LED.	Retry the operation with a different cleaning cartridge. If the Attention LED is cleared and the drive has been cleaned, and then immediately re-displays each time a particular cartridge is reloaded, that cartridge should be suspected as being defective. <ul style="list-style-type: none"> • If this occurs, export the cartridge and load a known good cartridge. In some cases, a cartridge can be worn out, have a defective Cartridge. • Memory, or have been formatted as a Firmware Upgrade Cartridge. • Any cartridge that is suspected of being defective or contaminated should NOT be reused in any drive. • If the bad cartridge is a cleaning cartridge, it might be expired.

Inventory Problems

Problem	Solution
The library displays incorrect bar codes.	<ul style="list-style-type: none"> • Verify that the label is properly applied. • Verify that the label is not soiled.

RMI Network Connection Problems

Problem	Solution
Cannot connect to the RMI.	<ul style="list-style-type: none"> • Verify that the Ethernet cable is connected to the Base Module's controller board management port and to the LAN. • Verify that the link LED on the RJ45 (LAN) connector is lit when the device is powered up. If the LED is not lit, the device is not communicating with the LAN. See your network administrator for help. • Verify that the device has been configured with a valid static network address or DHCP has been enabled so the device can obtain a network address. If using DHCP, write down the device's network address from the OCP login screen. If the device did not obtain a valid address via DHCP, verify that the DHCP server is up and the library has network access to it. If necessary, set a static network address instead. • Enter the library's IP address into the address bar of a web browser connected to the same LAN as the device. If the RMI web page does not display, ping the device's IP address. If the ping fails, verify that the device has a valid network address and that there are no firewalls or other obstructions to network traffic between the computer with the web browser and the device. See your network administrator for help.

Cleaning Problems

Problem	Solution
Cannot load the cleaning cartridge.	<ul style="list-style-type: none"> • Make sure you are using an Ultrium cleaning cartridge. • Make sure the cleaning cartridge has not expired. A cleaning cartridge expires after 50 cleaning cycles. • Power cycle the library.

Performance Problems

The process of backing up files involves many system components, from the files in the file system on the disk, through the backup server, and out to the library, all managed by software running on an operating system. The backup process can only run as fast as the slowest component in the system.

Performance issues are solved by identifying and addressing performance limitations in your system. See sections below for the following potential performance limitations:

- [Average File Size](#)
- [File Storage System](#)
- [Connection from the Backup/Archive Host Server to the Disk Array](#)
- [Backup/Archive Server](#)
- [Backup/Archive Software and Method](#)
- [Connection from the Archive/Backup Host Server to the Library](#)
- [Media](#)

Average File Size

The hard drive must seek to the position of a file before it can start reading. The more time the disks are seeking to files, the lower the performance. Therefore, if the average file size is small, the read performance will be lower.

To determine the average file size, divide the size of the backup by the number of files.

If the average file size is small (64 KB or less), consider using a sequential, image, or block backup method that backs up the whole hard drive or LUN image instead of individual files. The trade off for using one of these methods is that you might only be able to restore the entire image instead of individual files.

NOTE: File fragmentation also causes excessive drive seeking, which lowers performance, so ensure that files are regularly defragmented.

File Storage System

The file storage system determines the organization of the files on the disks. Using RAID controllers to spread files over multiple disks can improve performance because some disks can be seeking while others are reading. Storing files on a single non-RAID disk results in the slowest performance while storing files on a high-end disk array results in the fastest performance.

Converting standalone disks to RAID can improve performance.

Connection from the Backup/Archive Host Server to the Disk Array

The connection between the host server and the disks determines how much data can be transferred from the disks to the host computer at a time. A connection with insufficient bandwidth cannot provide enough data for the tape drives to write at full speed. For optimum performance, the storage subsystem must be able to provide data at the tape drive's maximum transfer rate.

Backup systems using a lower speed Ethernet network should use multiple network connections.

Backup/Archive Server

The backup server must have enough RAM and processor power to transfer the files from the disk to the tape drive, in addition to running the backup or archive software and any other processes.

Check the RAM and processor usage during a backup operation. If they are operating at capacity, adding more RAM or processor capability can improve performance.

Backup/Archive Software and Method

Each backup method has its own impact on performance, depending on how well it can keep data streaming to the tape drive. In most cases, native applications don't have the features required to maximize performance for LTO tape drives. It is recommended to use a full-featured backup or archive application with this library.

File-by-file backup or archive methods provide the best restore performance if you only need to restore individual files. However, if the average file size is small, file-by-file methods will significantly reduce performance.

Disk image, flash, or sequential backup methods provide the fastest performance because they back up an entire disk, partition, or LUN, which minimizes disk seeking. The disadvantage is that backup and restore operations work on an entire disk, partition, or LUN. You might not be able to back up a subset of files or restore a single file. If you can restore a single file, the restore process will be slow.

Database backup performance varies based on the use model. To improve performance when backing up data from a database:

- Use specific backup agents for the database.
- Use the latest versions of the databases.
- Do not back up individual mailboxes.
- Do not back up specific records or do a record-by-record backup.
- Do not back up when the database is in heavy use.

Connection from the Archive/Backup Host Server to the Library

For the best performance, the connection from the host server to the library must have enough bandwidth to provide enough data to keep the tape drive streaming. Current LTO tape drives take advantage of some of the fastest interfaces available so the type of interface used to connect the library to the host server is not likely to be the cause of a performance issue. However, issues with cables and connectors can limit performance.

Do not exceed recommended cable lengths.

Media

The type and condition of the media also affect backup performance. For best performance, use media that is the same LTO generation as the tape drives.

Finding Event Information

You can find error codes by viewing log files in the **RMI Maintenance > Logs and Traces > View Logs** page or downloading support tickets from the **RMI Maintenance > Download Support Ticket** page. See [Logs and Traces on page 109](#) or [Download Logs and Traces on page 110](#) in Chapter 6, “Remote Management Interface.”

Unlocking a Magazine

It is recommended that you unlock a tape magazine using the RMI. If this fails, or if a magazine needs to be removed when the power to the device is off, you can release a magazine manually. Only one magazine can be open at a time.

NOTE: As a best practice, perform this procedure while applications are idle. While the magazine is extended, the library Robotic Assembly cannot move media.

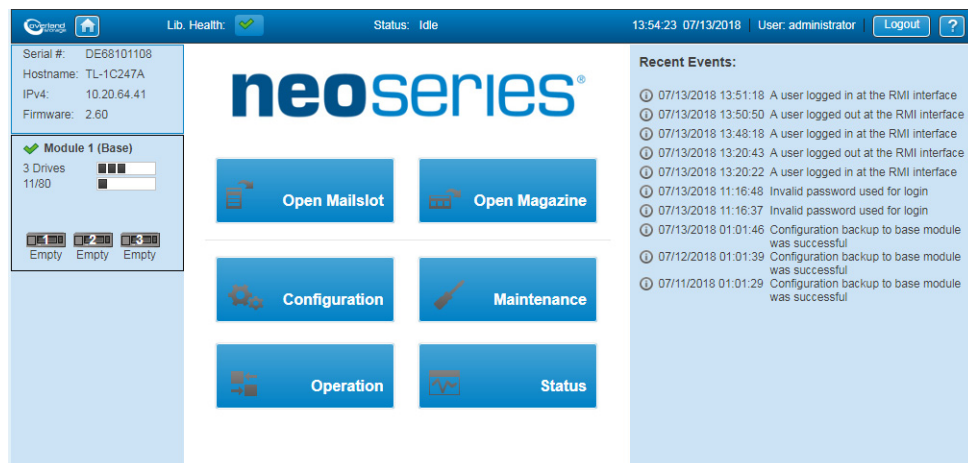
For details see the following:

- [Using the RMI to Unlock Magazines](#)
- [Using the Magazine Manual Release](#)

Using the RMI to Unlock Magazines

Log in as an administrator.

On the RMI Home page, click **Open Magazine**.



Click **Open** in the left or right magazine column within the module containing the magazine to be opened.

Operation > Open Magazine

NOTE: Only one magazine is allowed to be removed at a time.

Module	Left	Right
Base	Closed Open	Closed Open

A message box indicates when the magazine has been unlocked. The RMI Open Magazine page shows that the magazine is now unlocked.

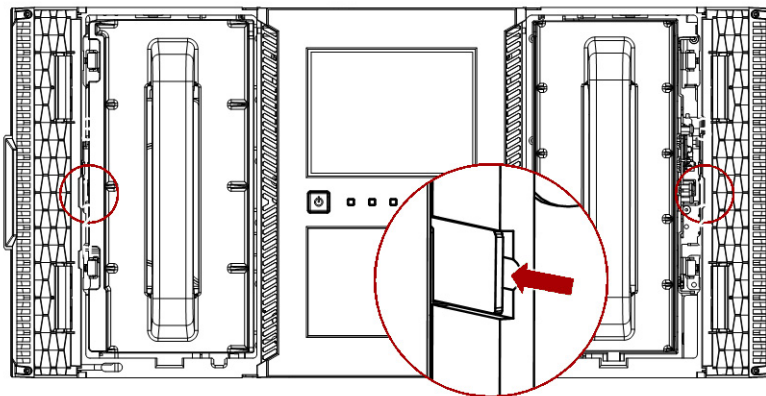
NOTE: If not removed, the magazines and the mailslot relock after 30 seconds (or 5 minutes if so configured).

Using the Magazine Manual Release



IMPORTANT: Do not exert force once you encounter resistance. Doing so can damage the device.

To unlock an entire magazine, use a small screwdriver to press the manual release tab located at the outside edge in the center of the door hinge.



Unloading a Stuck Tape

If the tape is stuck in a tape drive, eject the tape from the drive from the RMI **Operation > Force Drive Media Eject** page.

If a tape is stuck in a magazine, open the magazine, grasp the cartridge, and pull it out of the storage slot.

Returning the Robotic Assembly to the Base Module

If you have powered off the library and the Robotic Assembly did not return to its park position in the Base Module behind the OCP:

1. Power the library back on by pressing the **power button** on the Base Module.
2. From the RMI, return the Robotic Assembly to its park position using the RMI **Maintenance > Move Robotic to Base Module** page.
3. Power off the library again by pressing the **power button** on the Base Module and holding for three seconds.

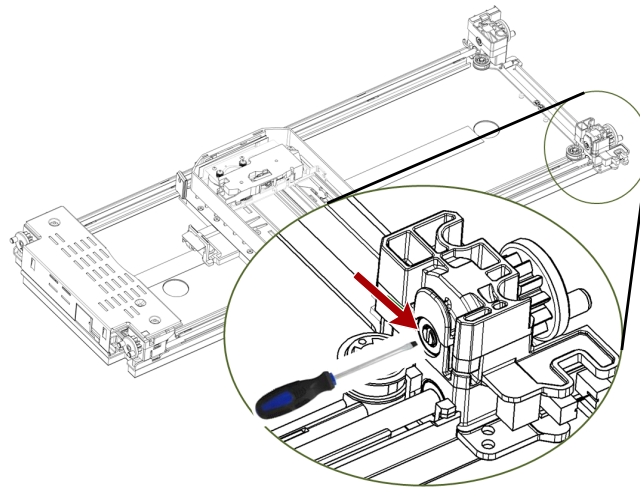
If the Robotic Assembly is still not in the Base Module, use one of the procedures in the following two sections:

- [Robotic Assembly Stopped Near Base Module or Between Modules](#)
- [Robotic Assembly Stopped Far From Base Module or Cannot Move Vertically](#)

Robotic Assembly Stopped Near Base Module or Between Modules

Remove the front bezel from the Base Module, the Expansion Module containing the Robotic Assembly, and any modules in between as needed. See [Replace the Base Module Front Bezel/OCP on page 165](#).

Insert a small flat-head screwdriver into the screwdriver relief on the right rear bearing block of the Robotic Assembly.



Turn the screwdriver to manually operate the Robotic Assembly gear train and move the Robotic Assembly into the Base Module.

Once inside the Base Module, unlock the Robotic Assembly. Standing at the front of the module, move the blue lever to the left, then toward you, then to the right.

Reinstall the bezels previously removed.

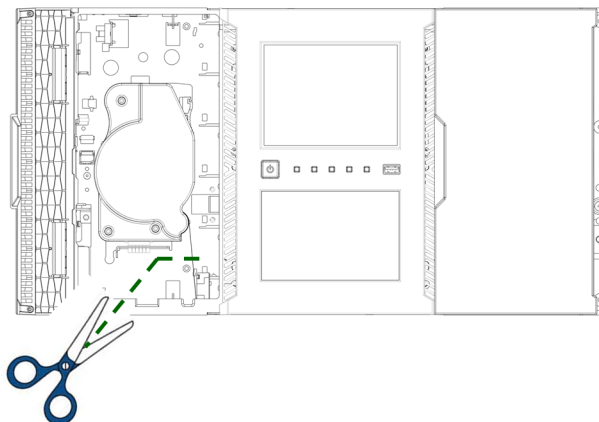
Replace the Robotic Assembly and Spooling Mechanism. See [Replace the Robotic Assembly and Spooling Mechanism on page 154](#) in [Chapter 7, "Service and Upgrades."](#)

Robotic Assembly Stopped Far From Base Module or Cannot Move Vertically

The library should already be powered off. Disconnect the power supply cables from all of the modules.

Manually unlock the left Base Module magazine using the manual release on the left side. Supporting the magazine on the bottom, remove the left magazine from the Base Module.

Using plastic-handled scissors, reach through the left magazine opening and carefully cut the spooling cable.



Replace the Robotic Assembly and Spooling Mechanism. See [Replace the Robotic Assembly and Spooling Mechanism on page 154](#) in [Chapter 7, "Service and Upgrades."](#) Use these exceptions:

- Extend the Expansion Module containing the Robotic Assembly while carefully guiding the free spooling cable.
- Remove the Robotic Assembly from the Expansion Module and set it aside.
- Slide the Expansion Module back into the rack and secure it.
- Remove the Base Module per the instructions.
- Remove the old Spooling Mechanism from the Base Module.
- Install the new Robotic Assembly and Spooling Mechanism and complete the procedure.

Running Library Tests

The library provides tests to verify library operations. The following tests are available in the RMI:

NOTE: The System, Slot-to-Slot, Robotics, and OCP tests are also available in the OCP.

- **System Test** – Exercises overall library functionality by moving cartridges within the library. Cartridges are returned to their original location. See [page 105](#).
- **Slot-to-Slot Test** – Randomly exchanges cartridges within the library. Cartridges are NOT returned to their original locations. See [page 105](#).
- **Element-to-Element Test** – Moves a cartridge to a specific element and then returns it to its original location. See [page 106](#).
- **Position Test** - Moves the Robotic Assembly vertically between two element locations. The test does not move cartridges. See [page 107](#).
- **Wellness Test** – Exercises a general health check on the library functionality by running the following partial tests:
 - **Basic Hardware Review**
 - **Robotics Initialization Test**
 - **Barcode Scanning Test**

- **Move Media Test**

See [page 108](#).

- **Robotic Test** – Exercises all Robotic Assembly movements and sensors. See [page 109](#).
- **OCP Test (with LCD Adjustment Reset)** – Illuminates each of the front panel LEDs and enables the OCP LCD contrast and brightness to be reset back to the defaults. See [page 109](#).



Event Codes and Acronyms

This appendix details the event codes and key acronyms for the NEO.

Topics in Event Codes and Acronyms:

- [Event Codes](#)
- [Warning Events](#)
- [Configuration Change Events](#)
- [Informational Events](#)
- [Acronyms and Abbreviations](#)

Event Codes

Event Code	Message Text and Description	Details and Solution
2000	Failed to move cartridge.	Verify the source and destination elements and retry the move operation.
2002	The initial module discovery (detection of expansion modules) failed.	Verify that all expansion modules are powered on and that the expansion interconnect cables are properly installed.
2003	The library's temperature has exceeded the critical limit.	Check to ensure: <ul style="list-style-type: none">• The chassis fan is functioning in each module present.• The drive cover plates are installed where no drive exists.• All power supplies are installed.• The ambient room temperature is within limits.
2004	Library Startup Failure.	Verify that magazines are closed, cartridges are fully seated, and that there are no Robotic Assembly obstructions. Verify all modules are powered and any expansion modules are cabled correctly with the inter module cable. Verify there is a top and bottom cover properly installed on the library. Also, verify the module alignment locks (at rear of module) are in the proper position. If the robot moves front to back, but not vertically, the robot shipping lock could be positioned incorrectly and should be moved to either the fully locked or fully unlocked position. If the error persists, review library events for more information and/or reboot the library.
2005	Robotic spooling cable failure.	Ensure that the spooling cable is fully seated in the base module and connected correctly to the Robotic Assembly.
2006	Cable to Spooling Mechanism has failed.	Ensure that the Spooling Mechanism is fully seated in the base module and connected correctly to the Robotic Assembly.

Event Code	Message Text and Description	Details and Solution
2009	Library test failed due to Robotic Assembly problem.	Review test requirements and retry the test, if the test continues to fail check for robotic obstructions or other robotic problems. For proper operation the robot must be able to reach the very bottom of the library. Verify there are no obstructions at the bottom of the library or on the bottom cover of the library in the path of the robot. To check for obstructions at the bottom of the library, first power off the library by pressing the front power button for 5 seconds and select the Default Park location. Once the library is powered off, remove the left magazine of the lowest library module, and verify the entire area of the bottom cover is free of any objects that might obstruct the robot's path. After clearing any obstructions, replace the magazine, power the library on, and after the library finishes initialization and inventory, verify no further critical events were generated.
2010	Library test failed due to Spooling Mechanism defect.	Ensure that the Spooling Mechanism is fully seated in the base module and installed correctly to the Robotic Assembly.
2011	Drive Power Board has failed. Due to this failure some drives maybe powered off.	Ensure the Drive Power Board is fully seated in the module and power cycle the library.
2012	Multiple bottom covers detected.	Remove all bottom covers except from the bottom module in the library.
2013	Multiple top covers detected.	Remove all top covers except for the top module in the library.
2014	Bottom cover is missing.	Install the bottom cover on the bottom module of the library, also check the module interconnect cabling and module power cabling. If the base module cannot detect both a top and bottom cover, the robot will not move.
2015	Top cover is missing.	Install the top cover on the top module of the library, also check the module interconnect cabling and module power cabling. If the base module cannot detect both a top and bottom cover, the robot will not move.
2016	Module alignment mechanism is not locked properly.	Ensure that the alignment mechanism is engaged in every module that is above another module in the library.
2017	A communication problem between modules was detected.	Ensure that all modules are powered and have the inter connect cable properly attached. Also, ensure that the module alignment locks (located at the rear of module) are in the correct positions.
2018	Too many unit position transmitter/detector failures.	Ensure that the alignment mechanism is engaged in every module that is above another module in the library. Perform a power cycle.
2021	Database access error.	Restore a configuration backup and perform a power cycle.
2022	Drive has been hot removed while in active status as LUN master.	Reinsert the removed drive at the same position as it was removed.
2023	Internal software error.	Check for a new system software version for upgrade.
2024	Exception thrown by application not handled.	Check for a new system software version for upgrade.

Event Code	Message Text and Description	Details and Solution
2027	Move failed pulling cartridge from slot.	Check for labels or cartridge misalignments that would prevent the cartridge from coming out of the slot or drive. For proper operation the robot must be able to reach the very bottom of the library. Verify there are no obstructions at the bottom of the library or on the bottom cover of the library in the path of the robot. To check for obstructions at the bottom of the library, first power off the library by pressing the front power button for 5 seconds and select the Default Park location. Once the library is powered off, remove the left magazine of the lowest library module, and verify the entire area of the bottom cover is free of any objects that might obstruct the robot's path. After clearing any obstructions, replace the magazine, power the library on, and after the library finishes initialization and inventory, verify no further critical events were generated.
2028	Move failed inserting cartridge to slot.	Check for labels or cartridge misalignments that would prevent the cartridge from moving into the slot or drive. For proper operation the robot must be able to reach the very bottom of the library. Verify there are no obstructions at the bottom of the library or on the bottom cover of the library in the path of the robot. To check for obstructions at the bottom of the library, first power off the library by pressing the front power button for 5 seconds and select the Default Park location. Once the library is powered off, remove the left magazine of the lowest library module, and verify the entire area of the bottom cover is free of any objects that might obstruct the robot's path. After clearing any obstructions, replace the magazine, power the library on, and after the library finishes initialization and inventory, verify no further critical events were generated.
2029	Initialization failure due to robot front to back positioning error.	Check for obstructions in the pathway of the robot such as a cartridge sticking out. Verify module alignment and frame alignment. Check if Robotic Assembly stuck in lock mechanism, move Robotic Assembly apart from lock mechanism and enable lock mechanism correctly.
2032	Initialization failure due to robot rotation positioning error.	Check for obstructions in the vertical pathway of the robot such as a cartridge sitting in the shuttle of the robot or any other impedance to robotic movement.
2033	Initialization failure due to robot vertical positioning error.	Check for obstructions in the vertical pathway of the robot such as a cartridge sticking out. Verify module alignment and frame alignment. For proper operation the robot must be able to reach the very bottom of the library. Verify there are no obstructions at the bottom of the library or on the bottom cover of the library in the path of the robot. To check for obstructions at the bottom of the library, first power off the library by pressing the front power button for 5 seconds and select the Default Park location. Once the library is powered off, remove the left magazine of the lowest library module, and verify the entire area of the bottom cover is free of any objects that might obstruct the robot's path. After clearing any obstructions, replace the magazine, power the library on, and after the library finishes initialization and inventory, verify no further critical events were generated.
2034	Cable to Spooling Mechanism has failed during initialization.	Ensure that the Spooling Mechanism is fully seated in the base module and connected correctly to the Robotic Assembly.
2035	Initialization failure due to robot gripper positioning error.	Check for obstructions in the vertical pathway of the robot such as a cartridge sitting in the shuttle of the robot or any other impedance to robotic movement.
2036	Unintended termination of application process.	Reboot or power cycle system.
2037	Robotics firmware version upgrade failed.	Reboot or power cycle system.

Event Code	Message Text and Description	Details and Solution
2038	Lost connection to Module.	Ensure that all modules are powered and have the interconnect cable properly attached. Reboot or power cycle the system.
2039	Cartridge left in robot gripper, unable to be moved to any open location.	Enable Mailslots and ensure that some of them are free. Then power cycle library. If still failing, open covers and remove cartridge manually from gripper.
2040	Wellness test failed with critical error.	<ul style="list-style-type: none"> • Check for additional events that might provide an indication of the reason for the failure. • Retry the Wellness test.
2041	Wellness test failed because of unit lock failed.	Ensure that the alignment mechanism is engaged in every module that is above another module in the library.
2042	Wellness test failed because top cover is missing.	Install the top cover on the top module of the library, also check the module interconnect cabling and module power cabling. If the base module cannot detect both a top and bottom cover, the robot will not move.
2043	Wellness test failed because bottom cover is missing.	Install the bottom cover on the bottom module of the library, also check the module interconnect cabling and module power cabling. If the Base Module cannot detect both a top and bottom cover, the robot will not move.
2044	Wellness test failed because Drive Power Board has failed.	Ensure the Drive Power Board is fully seated in the module and power cycle the library.
2045	Wellness test failed because move media test failed.	The minimum requirements for the Wellness are at least one unloaded drive and one data cartridge compatible with that unloaded drive installed in the library. If no drives are unloaded or no compatible media is found, the test fails and an error event will be generated. To view event details from RMI, click on the event, and then view all of the event details to see what elements were involved in the move failure. Additionally, check for obstructions in the pathway of the robot such as a cartridge sticking out. Verify module alignment and frame alignment. Check if Robotic Assembly stuck in lock mechanism, move Robotic Assembly apart from lock mechanism and enable lock mechanism correctly.
2046	Wellness test failed because drive communication test failed.	Remove and reseal the drive canister to ensure that the drive is fully seated. If the issue persists then reset the drive. Use the library RMI to pull a drive support ticket and check the device analysis section for more help.
2047	Wellness test failed because the barcode scanning test failed.	Verify that there is no obstruction in front of the barcode scanning module on the cartridge table located on the Robotic Assembly. If the error persists replace the Robotic Assembly. For proper operation the robot must be able to reach the very bottom of the library. Verify there are no obstructions at the bottom of the library or on the bottom cover of the library in the path of the robot. To check for obstructions at the bottom of the library, first power off the library by pressing the front power button for 5 seconds and select the Default Park location. Once the library is powered off, remove the left magazine of the lowest library module, and verify the entire area of the bottom cover is free of any objects that might obstruct the robot's path. After clearing any obstructions, replace the magazine, power the library on, and after the library finishes initialization and inventory, verify no further critical events were generated.
2051	Wellness test failed because of the failing robotic test.	Check for obstructions in the pathway of the robot such as a cartridge sticking out. Verify module alignment and frame alignment. Check if Robotic Assembly stuck in lock mechanism, move Robotic Assembly apart from lock mechanism and enable lock mechanism correctly. Ensure that the spooling cable is fully seated in the Base Module and connected correctly to the Robotic Assembly.

Event Code	Message Text and Description	Details and Solution
2052	An open magazine was detected in one or more modules and as a result the system was taken offline.	Ensure that all magazines are completely inserted and properly locked. Do not open magazines using the emergency release while the library is operating and the robot is moving.
2053	An open top cover was detected and as a result the system was taken offline.	Ensure that the top cover is completely inserted and properly locked. Do not open top cover using the emergency release while the library is operating and the robot is moving.
2054	An open bottom cover was detected and as a result the system was taken offline.	Ensure that the bottom cover is completely inserted and properly locked. Do not open bottom cover using the emergency release while the library is operating and the robot is moving.
2055	An open unit lock was detected and as a result the system was taken offline.	Ensure that all unit locks are properly locked. Do not open unit locks using the emergency release while the library is operating and the robot is moving.
2056	Initialization failure due to picker push pull positioning error.	Check for obstructions in the horizontal pathway of the Robotic Assembly such as a cartridge sticking out or a cable impeding progress.
2057	Robotics shipping lock in incorrect position.	Get access to the picker assembly and manually move the shipping lock lever to either locked or unlocked position. After moving the shipping lock to the one of the correct positions, reboot the library.
2061	Move failed pulling cartridge from drive.	Check for labels or cartridge misalignments that would prevent the cartridge from coming out of the drive.
2062	Move failed inserting cartridge to drive.	Check for labels or cartridge misalignments that would prevent the cartridge from coming out of the drive.
2063	Move failed positioning picker in front of drive.	Check for obstructions in the vertical or horizontal pathway of the Robotic Assembly. Examples could include a cartridge that is not seated completely in a slot, a Robotic Assembly is not sitting horizontally level, or a problem with the robotic spooling cable that is impeding progress.
2064	Library test failed with critical error.	<ol style="list-style-type: none"> 1. Check for additional events that might provide an indication of the reason for failure. 2. Verify that the minimum requirements are met for the test and then retry the test. 3. To verify robotic movement, perform a slot-to-slot test.
2065	Library startup process failed because of robotics initialization issue.	<ol style="list-style-type: none"> 1. Check for obstructions, such as a cartridge sticking out, in the vertical pathway of the robotics assembly. 2. Check for objects in the bottom of the library blocking the path of the robotic assembly. 3. Check the event log for additional events that provide more specific information. 4. Verify that the robotic assembly is level within the module. If the module was recently moved or the robotic assembly replaced, the assembly could be out of alignment. 5. Check to see if the locking mechanism in the robotic assembly is engaged. If so, move the robotics assembly to the fully locked position.

Event Code	Message Text and Description	Details and Solution
2066	Library startup process failed during inventory scan.	<ol style="list-style-type: none"> 1. Check for obstructions, such as a cartridge sticking out, in the vertical pathway of the robotics assembly. 2. Check for objects in the bottom of the library blocking the path of the robotic assembly. 3. Check the event log for additional events that provide more specific information. 4. Verify that the robotic assembly is level within the module. If the module was recently moved or the robotic assembly replaced, the assembly could be out of alignment. 5. Check to see if the locking mechanism in the robotic assembly is engaged. If so, move the robotics assembly to the fully locked position.
2067	For safety reason the robot movement was halted in place.	Ensure that all magazines, top or bottom covers and unit locks are completely inserted and properly locked. Do not open magazines using the emergency release or remove covers or unit locks while the library is operating and the robot is moving. Ensure that all modules are powered and have the inter connect cable properly attached.
2068	An emergency stop condition was detected in one or more modules and prevented the robotic from initialization.	Ensure that all magazines, top or bottom covers and unit locks are completely inserted and properly locked. Please insert all open magazines and install all necessary covers and unit locks before powering on the library. Ensure that all modules are powered and have the inter connect cable properly attached.
2069	Initialization failure due to barcode reader error.	Contact Technical Support.
2070	Inventory scan failed because of Elevator axis problem.	Check for obstructions in the vertical pathway of the robot such as a cartridge sticking out. Verify module alignment and frame alignment. For proper operation the robot must be able to reach the very bottom of the library. Verify there are no obstructions at the bottom of the library or on the bottom cover of the library in the path of the robot. To check for obstructions at the bottom of the library, first power off the library by pressing the front power button for 5 seconds and select the Default Park location. Once the library is powered off, remove the left magazine of the lowest library module, and verify the entire area of the bottom cover is free of any objects that might obstruct the robot's path. After clearing any obstructions, replace the magazine, power the library on, and after the library finishes initialization and inventory, verify no further critical events were generated.
2071	Cartridge on picker when trying to scan.	Verify that there is no obstruction in front of the barcode scanning module on the cartridge table located on the Robotic Assembly. If the error persists replace the Robotic Assembly.
2072	Bottom cover detected at an incorrect position.	Review the stack assembly and place the covers to the proper position.
2073	Top cover detected at an incorrect position.	Review the stack assembly and place the covers to the proper position.
2074	The library startup failed due to a GPIO error.	Reboot or power cycle system.
2075	The library startup failed due to an error when trying to open the robotics serial port.	Reboot or power cycle system.
2076	I2C bus signals invalid.	Remove all drive canisters of the affected chassis and reboot the library. If the problem persists, replace the chassis. If not, add one drive after the other until the problem comes back. Replace the last drive added before it failed again.

Event Code	Message Text and Description	Details and Solution
2077	Failed to store Calibration Data to Chassis.	Reboot or power cycle system.
2078	Incompatible Robotic Assembly without Encoder detected.	Replace Robotic Assembly with a compatible model with Encoder or upgrade Firmware to a version which supports Encoder-less control.
2079	Could not upgrade barcode reader firmware.	Reboot the library and if the error persists replace the robotics.
2080	Cartridge lost while inserting it into slot/drive.	Check the source/destination element and ensure that there are no obstructions in the pathway of the robot.
2081	I2C port expander read write error.	Reboot the library and if the error persists replace the chassis. Prior to replacing the chassis, ensure you remove all of your tape cartridges. If magazines need to be removed to get access to the tape cartridges, first power down the device and then manually release each magazine. Only one magazine should ever be opened at a time.
2083	Drive Power Board is not compatible to this Library and does not match to the installed power supply.	Remove incompatible Drive Power Board. Only install Drive Power Boards that are compatible with the library.
2084	Lost connection to Module, possibly due to abnormal network activity.	Ensure that all modules are powered and have the inter-connect cable properly attached. If this event is seen on multiple modules or after ensuring all inter-connect cables are properly attached, also ensure that the network that the Base Module is connected to is not experiencing broadcast storms or other abnormal activity. Reboot or power cycle the system to re-discover the modules.
2085	Communication failure to the Base Module controller board I2C port expander component.	Until this issue is resolved, the base module will not be able to discover any attached expansion modules. Reboot the library to see if the error persists. If the error persists, power off the library and reseal the base module controller. If the error continues to persist, replace the base module controller.
2086	Communication failure to the Expansion Module controller board I2C port expander component.	Until this issue is resolved, the base module will not be able to discover any attached expansion modules. Reboot the library to see if the error persists. If the error persists, power off the library and reseal the expansion module controller. If the error continues to persist, replace the expansion module controller.
2087	Error accessing the backplane flash memory.	Reboot the library and if the error persists replace the chassis. Prior to replacing the chassis, ensure you remove all of your tape cartridges. If magazines need to be removed to get access to the tape cartridges, first power down the device and then manually release each magazine. Only one magazine should ever be opened at a time.
2088	Failure moving to the lowest vertical position of the library, check for obstructions on the bottom cover.	<p>For proper operation the robot must be able to reach the very bottom of the library. Verify there are no obstructions at the bottom of the library or on the bottom cover of the library in the path of the robot.</p> <p>To check for obstructions at the bottom of the library, first power off the library by pressing the front power button for 5 seconds and select the Default Park location.</p> <p>Once the library is powered off, remove the left magazine of the lowest library module, and verify the entire area of the bottom cover is free of any objects that might obstruct the robot's path.</p> <p>After clearing any obstructions, replace the magazine, power the library on, and after the library finishes initialization and inventory, verify no further critical events were generated.</p>

Event Code	Message Text and Description	Details and Solution
2089	Incompatible Robotic Assembly detected.	An incompatible Robotic Assembly has been detected. The Robotic Assembly was not powered on to avoid damage of the library. Power off the library and replace the Robotic Assembly with a compatible version.
2090	Wellness test failed because incompatible Drive Power Board detected.	Remove incompatible Drive Power Board. Only install Drive Power Boards that are compatible with the library.
2091	Display Controller of the Operator Control Panel (OCP) reports an error	Reboot the library for new initialization of the OCP controller. If the error continues to persist, replace the Operator Control Panel.

Warning Events

Event Code	Message Text and Description	Details and Solution
4000	A reported drive canister fan speed is too slow.	Ensure there are no obstructions in the fan
4002	A drive sent a clean request.	Clean the drive with an approved cleaning cartridge.
4003	The drive configuration failed.	Remove and reseal the drive canister and retry the operation. If the drive installed is a different generation than the drive previously installed, you may need to reset defaults and reconfigure the drive as appropriate. Use the library RMI to pull a drive support ticket and check the device analysis section for more help.
4004	The drive status request failed.	Remove and reseal the drive canister to ensure that the drive is fully seated. If the issue persists then reset the drive. Use the library RMI to pull a drive support ticket and check the device analysis section for more help.
4005	Drive is reporting a critical TapeAlert.	Power-cycle the drive, and verify whether the drive reports the same TapeAlert. Use the library RMI to pull a drive support ticket and check the device analysis section for more help.
4006	A drive temperature reported is above the threshold.	Verify the drive fan is spinning, is not obstructed and that the ambient temperature is within specification. Also, ensure that there are drive bay cover plates in place in each location where there is no drive installed. The drive cover plates are required for proper airflow.
4007	Cartridge error.	Remove the cartridge and inspect it for damage. Retry operation with another cartridge.
4008	Cleaning tape expired.	Discard the cleaning cartridge and retry the cleaning operation with a new cleaning cartridge.
4009	Firmware upgrade of one or multiple expansion modules failed.	The Base Module must be able to communicate with a powered on and connected expansion module to perform the upgrade. Reseat the expansion controller and check the inter module cable and power connections. Retry the firmware upgrade.
4010	Drive is not compatible with this library.	Remove the incompatible drive. Only install drives that are supported by the library.

Event Code	Message Text and Description	Details and Solution
4012	Move Cartridge operation failed due to drive or media issue.	View the event details to determine which cartridge was involved. Verify surrounding events pointing to problems with this media in other move operations. Remove the media from the library, and physically inspect the media to ensure there is no physical damage. If the media appears to be undamaged, put the media back into the library and retry the move operation. If the problem persists retry the operation with a different cartridge in the same drive. If the problem follows the media, remove the media from use. If the problem follows the drive, use the library RMI to pull a drive dump and contact Technical Support.
4014	Library test failed due to a drive issue.	Verify the test parameters, and retry the test. If the test fails, check the library event log for specific events associated with this drive. Use the library RMI to pull a drive dump and contact Technical Support.
4015	Power supply has failed. Redundancy is not available.	Ensure all power supplies are installed properly (two per module), and that each power supply is connected to a valid power source.
4016	Backup configuration data to base module failed.	Attempt to save a library configuration, power cycle the library and retry the operation.
4017	Restore configuration data from Chassis failed.	Attempt to save a library configuration, power cycle the library and retry the operation.
4018	Firmware upgrade failed, tape drive reported an error applying the firmware file.	Verify that the firmware file is correct for the drive(s), ensure the drives are in a healthy state with no cartridge in the drive, then retry the operation.
4019	General Drive Firmware bundle upgrade failure.	Verify that the firmware file is correct for the drive(s), ensure the drive is in a healthy state with no cartridge in the drive, then retry the operation.
4020	Database has been reset due to a problem that prevented the library from powering up.	If the library was restored to default settings, restore a saved configuration by using a previously saved configuration file. If a configuration file does not exist, then proceed in configuring the library.
4021	Drive has been hot removed while in active status as data transfer device.	Drives must be powered off before removing them from the library. Reinsert the removed drive in the same position from which it was removed.
4024	One or two unit position transmitter/detector failures.	Ensure that the library has the latest firmware installed.
4025	Library test failed due to a cartridge error.	Remove the cartridge and inspect it for damage. Retry operation with another cartridge.
4028	Drive cannot use this media due to it being an unknown or unsupported format. Possibly the media is the wrong generation of media.	Check LTO generation for media and drives. Remove cartridges which are not compatible to your tape drives.
4029	Incompatible media move operation blocked by media barcode ID check.	Check if Media barcode label is matching LTO generation. Replace label or remove incompatible media from your system.
4030	Move cartridge operation failed due to media error.	Remove the cartridge and inspect it for damage. Retry operation with another cartridge.
4033	Unsupported KeyGenPolicy.	Check network connection and ESKM server configuration for the specified partition. Ensure that all partitions on the library have a valid KeyGenPolicy on the ESKM server. After ensuring that all partitions have a matching KeyGenPolicy, re-run the partitioning wizard for the specified partition. Use the Status > Security page to verify all drives and partitions are configured correctly for encryption.
4041	Wellness test failed because of power supply redundancy test failed.	Ensure all power supplies are installed properly (two per module), and that each power supply is connected to a valid power source.

Event Code	Message Text and Description	Details and Solution
4044	One of the Library tests failed because of a source element or destination element is currently not accessible.	The library either could not find the source cartridge or the destination element was unexpectedly full. This error can happen if a cartridge in the destination element has an unreadable barcode label. 1. See the event details to find the source and destination elements. 2. Open the magazine and inspect the source and destination drives or slots. 3. Unless the library is configured not to use barcode labels, verify that all cartridges have a high-quality proper barcode label.
4059	A drive that does not support encryption is configured in a partition with encryption enabled.	Replace Drive by a model of LTO generation 4 or higher or disable encryption for this partition.
4060	Connection to the KMIP server failed.	Verify user name and password as well as all needed SSL certificates needed for connecting to the KMIP server. Verify that the KMIP server is reachable within the network.
4061	Key not found on KMIP server.	Verify that the requested key is available on the KMIP server. Check the KMIP server logs for additional details.
4062	Key creation on KMIP server failed.	Check the KMIP server logs for additional details about why key creation failed.
4063	KMIP configuration invalid.	Use the KMIP configuration wizard to verify the KMIP configuration.
4064	KMIP feature not licensed.	Disable KMIP or install appropriate license for KMIP feature.
4065	A tape alert flag was reported by a drive.	Check event details for additional information.
4067	Cleaning cartridge will soon expire and should be replaced.	Replace the cartridge.
4068	No cleaning cartridge found.	Auto cleaning is enabled, but the library contains no labeled cleaning cartridge. The library was unable to perform the auto clean function for one or more drives. Install a valid and labeled cleaning cartridge and then perform a load and unload on the drive that needs cleaned to initiate the auto cleaning.
4071	Power supply fan failed.	Verify the power supply fan is spinning and ensure there are no obstructions in the fan.
4072	No cleaning cartridge in partition available for auto cleaning.	Auto cleaning is enabled, but the partition contains no labeled cleaning cartridge. The library was unable to perform the auto clean function for one or more drives in this partition. Install a valid and labeled cleaning cartridge into the partition and then perform a load and unload on the drive that needs cleaned to initiate the auto cleaning.
4073	Medium source element empty.	Check the source slot visually and rescan inventory. Additionally check for valid and readable barcode label.
4074	Medium source element empty.	Check the source slot visually and rescan inventory. Additionally check for valid and readable barcode label.
4075	Cartridge lost while extracting it from slot/drive.	Check the source/destination element and ensure that there are no obstructions in the pathway of the robot.
4077	Unlocking the right magazine failed.	Reboot the library and retry the operation. If the error persists replace the chassis. If the magazine needs to be removed to get access to the tape cartridges, first power down the device and then release the magazine manually. Only one magazine can be open at a time.

Event Code	Message Text and Description	Details and Solution
4078	Unlocking the left magazine failed.	Reboot the library and retry the operation. If the error persists replace the chassis. If the magazine needs to be removed to get access to the tape cartridges, first power down the device and then release the magazine manually. Only one magazine can be open at a time.
4079	Unlocking the mailslot failed.	Reboot the library and retry the operation. If the error persists replace the chassis. If the mailslot needs to be removed to get access to the tape cartridges, first power down the device and then release the entire magazine manually. Only one magazine can be open at a time.
4080	Wellness test failed with warning.	<ul style="list-style-type: none"> • Check for additional events that might provide an indication of the reason for the failure. • Verify that the library meets the requirements of the test. • Retry the Wellness test. • Run the System test and then check for events with additional information. • Verify that media is loaded in the library.
4083	Library not properly calibrated. This may cause media movement failures.	The library needs to be re-calibrated. Ensure the library firmware is up to date. If this event persists after a reboot of the library, or if calibration does not begin automatically upon restart, manually initiate calibration via the Maintenance > Auto Calibration RMI menu.
4085	Too many retries of drive command needed because of Unit Attention or Not Ready condition.	<ul style="list-style-type: none"> • Check for additional events that might provide an indication of the reason for the failure. • Check the data cartridge in the drive for damage and wear. • Wait for drive operation to complete and then retry the command.
4086	Move operation failed due to the inability accessing the database.	Ensure the network the library is connected to is operating normally and ensure the library is running the latest firmware. Library needs reboot.
4088	Library not properly calibrated. This may cause media movement failures.	Some chassis calibration data does not match to installed robot. Please reboot the library to initiate a re-calibration of the system. Ensure the library firmware is up to date. If this event persists after a reboot of the library, or if calibration does not begin automatically upon restart, manually initiate calibration via the Maintenance > Auto Calibration RMI menu.
4089	Auto calibration of one or more modules failed. Library not properly calibrated. This may cause media movement failures.	The library needs to be re-calibrated. Ensure the library firmware is up to date. This event indicates that one or more of the gray calibration targets located on the library magazines could not be used in calibration. Inspect the calibration targets in each module and then repeat the auto-calibration routine via the Maintenance > Auto Calibration RMI menu.
4090	Auto calibration of one or more modules failed. Library not properly calibrated. This may cause media movement failures.	The library needs to be re-calibrated. Ensure the library firmware is up to date. This event indicates that one or more of the gray calibration targets located on the library magazines could not be used in calibration. Inspect the calibration targets in each module and then repeat the auto-calibration routine via the Maintenance > Auto Calibration RMI menu.
4091	Auto calibration of one or more modules failed. Library not properly calibrated. This may cause media movement failures.	The library needs to be re-calibrated. Ensure the library firmware is up to date. This event indicates that one or more of the gray calibration targets located on the library magazines could not be used in calibration. Inspect the calibration targets in each module and then repeat the auto-calibration routine via the Maintenance > Auto Calibration RMI menu.
4092	Installed robotic does not support auto calibration.	If move errors are occurring, the Robotic Assembly needs to be replaced with a robot that supports auto-calibration. If this event persists after replacing the robot, manually initiate calibration via the Maintenance > Auto Calibration RMI menu.

Event Code	Message Text and Description	Details and Solution
4093	Could not obtain an IP address from DHCP server.	Check the network configuration settings and check if the DHCP server is reachable. Use the network configuration menu or unplug the network cable and plug it in after a few seconds to trigger an automatic reconfiguration of the network interface.
4094	Drive interface I/O error.	Reboot the library for new initialization of hardware and device drivers. Get in touch with service if the problem persists.
4095	Library test failed. Not enough valid cartridges available for testing.	<ul style="list-style-type: none"> Review the cartridge requirements for the test and then ensure that sufficient cartridges are available in the required locations to run the test. Rerun the test.
4097	Drive port configured to NPIV but failed to negotiate with Fibre channel switch.	Verify that your Fibre channel switch is supporting NPIV and that this option is enabled for the port connected to the failing tape drive. Note: It may be necessary to disconnect and reconnect the port after changing NPIV configuration of the switch. Disable control path failover if NPIV can't be supported by your infrastructure.
4098	System time synchronization via SNTP failed.	Check for valid SNTP server address in Time configuration. If correct, ensure that server reachable from your network and not blocked by Firewall.
4099	An unexpected reset of robotics has been detected.	Ensure that the spooling cable is fully seated in the Base Module and connected correctly to the Robotic Assembly. If the error re-occurs replace the Robotic Assembly.
4110	Drive disabled due to an incompatible Drive Power Board.	Remove incompatible Drive Power Board. Only install Drive Power Boards that are compatible with the library.
4113	Move Cartridge operation failed due to cartridge not properly taken over from Drive.	Check for labels or cartridge misalignments that would prevent the cartridge from coming out of the slot or drive.
4117	Drive disabled because no power supply available in this module.	Remove all affected Drives, insert and power up at least one power supply to the failing module. Wait ten seconds and put the drives back into the module.
4118	Drive disabled because no Drive Power Board available in this module.	Power down your library stack. Install compatible Drive Power Board to the failing module. Restart library stack.
4119	Drive disabled because internal IP address for communication unknown.	Remove affected drive, wait ten seconds and put it back into the module. Alternatively reboot Library stack.
4120	No empty drive available for system test.	Ensure at least one unloaded, ready-to-use tape drive is installed and powered on in the library.
4121	No compatible media available for system test.	Ensure at least one piece of media compatible with the installed tape drive is available in the library.
4122	No cartridge available for slot to slot test.	Ensure at least one piece of media is available in the library.
4123	No empty slot available for slot to slot test.	Ensure at least one empty slot is available in the library.
4124	Drive or media statistics could not be retrieved when unloading the tape.	Check for additional warning tickets. Replace media if media related tape alert flags reported.

Event Code	Message Text and Description	Details and Solution
4125	Potential conflict: Tape drive has been accessed by multiple initiators.	Multiple SCSI command initiators were detected on a drive, in a partition that has multi-initiator conflict detection enabled (LTO generation 7 or newer feature). View the list of host WWNN addresses listed in this event and take action to prevent host access for any host WWNN you do not want accessing the tape drive. Once all of the other host WWNNs are prevented from accessing the tape drive, close the event and continue normal use of the tape drive.
4127	Drive has been restarted because of canister reset.	Power cycle and reseal the drive in the library. If available, try the drive in a different slot. If the problem repeats, this is likely a hardware problem with the drive assembly. If the problem only occurs with one drive bay in the library, this is likely a hardware problem with the library.
4128	An expansion module has detected an installed power supply but this power supply does not provide power.	Ensure the power supply has a power cord plugged in and is connected to a valid power source. Although power source is not available this expansion module can still be used for tape storage. Operation of tape drives is not possible.
4129	Media removal prevented by drive.	Check backup application how to allow media removal from drive. If unsuccessful try Force Drive Media Eject option in operations menu.
4130	Wellness test failed because drive not finally initialized.	Wait until drive initialization completed and run test again.
4131	Wellness test failed because drive installed to a module without power supply.	Install at least one power supply to the module where the failing drive is located or move the drive to a module with power supply.
4132	Wellness test failed because serial drive installed to a module without Drive Power Board.	Install Drive Power Board to the module where the failing drive is located or move the drive to a module with Drive Power Board installed.

Configuration Change Events

Event Code	Message Text and Description
8000	The configuration of a drive changed.
8001	The drive was added or removed from the system.
8002	A partition was added/removed or changed.
8003	A mailslot bank was enabled / disabled.
8004	Drive firmware changed due to firmware upgrade.
8006	The email configuration settings have been changed.
8007	The configuration of a date/time format changed.
8008	The system language setting changed.
8009	The timezone configuration has changed.
8010	A new partition was added.
8011	The network settings have changed.
8012	All Expansion Modules upgraded.
8013	The NTP time synchronization configuration has changed.

Event Code	Message Text and Description
8014	The SSH access was enabled/disabled.
8015	Level of media generation checking has changed.
8016	Library reset default settings invoked by user.
8017	Library FW changed.
8018	The Unlabeled Media Support configuration has changed.
8019	Robotics firmware version upgraded.
8022	RMI/OCP Timeout configuration changed.
8024	Mailslot / Magazine access control configuration changed.
8025	Mailslot / Magazine automatic re-lock duration changed.
8026	Robotics change detected.
8029	The SNMP configuration changed.
8030	A SNMP target has been added.
8031	A SNMP target has been deleted.
8032	The SNMPv3 settings changed.
8033	The OCP module has been changed.
8034	A drive reboot has been requested by RMI command or REST interface. This process could cause side effects if done in parallel to running operations.
8035	Chassis calibration data has been changed.
8036	New chassis detected.
8037	Chassis has been removed.
8040	LDAP Server has been added.
8041	LDAP Server has been modified.
8042	LDAP Server has been deleted.
8043	LDAP User has been added.
8044	LDAP User has been modified.
8045	LDAP User has been deleted.
8046	Logout prevention configuration changed.
8057	New hardware component added to the Library.
8058	Hardware component removed from the Library.
8059	Hardware component of Library replaced.
8060	New Expansion Controller detected.
8061	New Base Library Controller detected.

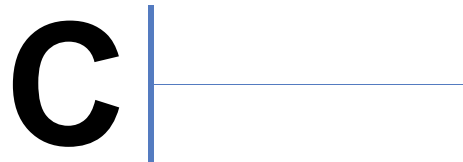
Informational Events

Event Code	Message Text and Description
9000	A tape alert flag was reported by a drive.
9001	A drive is present in the system but powered off.
9002	The library was powered on.
9003	Move Medium command was executed.
9004	Inventory scan was performed.
9005	The library was powered down from Front Panel.
9006	The network interface was switched on.
9007	The network interface switched off.
9008	The System Time was synchronized with a NTP server.
9009	A magazine was unlocked and opened.
9010	A magazine was closed and locked.
9011	A mailslot bank was unlocked and opened.
9012	A mailslot bank was closed and locked.
9013	A user logged in at the RMI interface.
9014	A user logged out at the RMI interface.
9015	A user logged in at the OCP interface.
9016	A user logged out at the OCP interface.
9020	The MSL Encryption Kit password has been set.
9024	Drive support ticket created.
9025	Library test started.
9026	Library test successfully finished.
9027	Library test stopped by user.
9028	Configuration backup to Base Module was successful.
9029	Configuration restore from Base Module was successful.
9031	Library health Status changed to Status OK .
9032	Library health status changed to status Warning .
9033	Library health status changed to status Critical .
9034	New system controller detected.
9035	New library chassis detected.
9037	The library was rebooted.
9038	The library was rebooted through user interface.
9041	Key on KMIP server created.

Event Code	Message Text and Description
9043	Drive cleaning.
9045	Library configuration data failed to duplicate on to the Base Module.
9058	Power supply fan failed.
9060	One or multiple configured DNS servers are not responding.

Acronyms and Abbreviations

Acronym	Meaning
FC	Fibre Channel
FH	Full Height
GUI	Graphical User Interface
HBA	Host Bus Adapter
HH	Half Height
LUN	Logical Unit Number
OCP	Operator Control Panel
RMI	Remote Management Interface
SAN	Storage Area Network
SAS	Serial Attached SCSI
SNMP	Simple Network Management Protocol
SSH	Secure Shell
SSL	Secure Socket Layer
UID	Unit Identification
USB	Universal Serial Bus
WORM	Write Once, Read Many
WWPN	World-Wide Port Name



Technical Specifications

This appendix covers the technical specifications of the NEO.

Topics in Technical Specifications:

- [Physical Specifications](#)
- [Environmental Specifications](#)
- [Electrical Specifications](#)
- [Regulatory Specifications \(CSA test conditions\)](#)
- [Default Settings](#)

Physical Specifications

Characteristic	Product Alone	Packaged
Height*	10.5 in. (268mm)	24.0 in. (610mm)
Width*	18.7 in. (475mm)	28.1 in. (715mm)
Depth*	35.1 in. (892mm)	42.5 in. (1080mm)
Weight	Base Module: 78.3 lbs. (35.5kg)	Base Module: 123.5 lbs. (56kg)
	Expansion Module: 68.3 lbs. (31kg)	Expansion Module: 112.5 lbs. (51kg)

* Inches (in.) rounded to the nearest tenth of an inch.

Environmental Specifications

Characteristic	Specification
Temperature	
Operating	40 to 95 °F (5 to 35 °C)
Non-operating	-40 to 140 °F (-40 to 60 °C)
Recommended operating temperature	50 to 85 °F (10 to 30 °C)
Temperature shock immunity - maximum rate of change	18 °F (10 °C) per hour
Miscellaneous	
Dust concentration	less than 200 micrograms / cubic meter
Altitude	16,450 feet (5000 meters)

Characteristic	Specification
Humidity	
Operating	20% to 80% RH non-condensing
Non-operating	5% to 90% RH non-condensing

Electrical Specifications

Characteristic	Specification
Current	5.0 - 3.5 A
Voltage	100 - 240 V 50/60 Hz
Power	432 W

Regulatory Specifications (CSA test conditions)

NOTE: The CSA test conditions might differ from the product specification limits.

Characteristic	Tested condition or value
Equipment mobility	Stationary - rack mount
Connection to the mains	Pluggable - Type A
Operating condition	Continuous
Access location	Operator accessible
Over voltage category (OVC)	OVCII
Mains supply tolerance (%) or absolute mains supply values	-10%, +6%
Tested for IT power systems	No
IT testing, phase-phase voltage (V)	N/A
Class of equipment	Class I
Considered current rating (A)	20 A (branch circuit protection)
Pollution degree (PD)	PD 2
IP protection class	IPX0
Altitude during operation	Maximum 6,562 feet (2000 meters)
Altitude of test laboratory	125 feet (38 meters)
Mass of equipment	Maximum 55 lbs. (25kg)
Manufacturer's Declared Ambient	40 °C

Default Settings

Parameter	Default Setting	Reset to Default?
User Accounts		
User login	User = "user" PW = (null)	NOT reset
Administrator login	User= "administrator" PW = "adm001"	NOT reset
Security login	User = "security" PW = "sec001"	NOT reset
LDAP Configuration	Disabled	NOT reset
Network configuration (eth0)		
Host name	Blank	NOT reset
IP Address	(DHCP)	NOT reset
Subnet Mask	(DHCP)	NOT reset
Default Gateway	(DHCP)	NOT reset
Auto Negotiate	Enable	NOT reset
Speed	Auto	NOT reset
IPV4	Enabled	NOT reset
DHCPv4	Enabled	NOT Reset
IPV6	Disabled	NOT reset
IPv6 Prefix	Enabled	NOT reset
Static V6	Disabled	NOT reset
IPv6Method	Disabled	NOT reset
DHCPv6	Disabled	NOT reset
DNS1 and DNS2 Configuration for Ipv4	(DHCP)	NOT reset
DNS1 and DNS2 Configuration for IPv6	Disabled	NOT reset
Network Access Services		
Primary Network Interface (eth0)	Enabled	NOT reset
SSH	Disabled	NOT reset
HTTPS	Disabled	NOT reset
Self-Signed SSL Certificate	no file	NOT reset
Internal IP (eth1)	192.0.2.0/24	NOT reset
Secondary network (fall-back)	Definable from range	NOT reset
Default controller IP	192.0.2.1	NOT reset
Magazines & Mailslots (I/O Station)		

Parameter	Default Setting	Reset to Default?
Mailslots	Disabled	Yes
Magazines/Mailslots Allow user "User" access	Disabled	Yes
Partitions	Disabled (one underlying partition)	All deleted leaving a single partition
NTP/SNTP Setting	Disabled	NOT reset
Date	Blank or existing	NOT reset
Time	Blank or existing	NOT reset
Time Zone	GMT	NOT reset
Email Notifications (SMTP)	Disabled	Yes
SNMP		
SNMP v1, v2, v3	Disabled	Yes
Licensed Features (need license for enablement)		
Encryption KMIP	Disabled	NOT reset
OCP Display Preferences		
Screen Saver	Default image	Yes
Activation	10 minutes	Yes
Image	Customer specified	Yes
SCSI Defaults		
Product Name - Marketing Name		Yes
Library Product ID - INQUIRY Product ID String	MULTISTAK	Yes
Library Vendor ID - INQUIRY Vendor ID String	BDT	Yes
SCSI element addressing	Starting element addresses in decimal: Slot = 1001 Drives = 1 I/E Elements = 101 Values in hex are: Slot = 0x3E9 Drives = 0x1 I/E Elements = 0x65	Yes
Miscellaneous settings		
Barcode format returned to host	Align left	Yes
Barcode length returned to host	8 left most characters	Yes

Parameter	Default Setting	Reset to Default?
Language settings	English	NOT reset
Auto Clean	Disabled	Yes
Media Barcode Compatibility Check	Enabled	Yes
RMI Timeout	30 minutes	Yes
RMI Restricted Login	Disabled	Yes
Drive Defaults		
Drive speed and topology settings	Automatic/Automatic	Yes
Odometer	Enabled	NOT reset



Master Glossary & Acronym List

NOTE: This is a general Overland Storage glossary and acronym list. Not all items may be found in this document or be used by this product.

1000BASE-T

1000BASE-T (also known as IEEE 802.3ab) is a standard for gigabit Ethernet over copper wiring. It requires, at a minimum, Category 5 cable (the same as 100BASE-TX), but Category 5e (Category 5 enhanced) and Category 6 cable may also be used and are often recommended. 1000BASE-T requires all four pairs to be present and is far less tolerant of poorly installed wiring than 100BASE-TX.

Address

An address is a data structure or logical convention used to identify a unique entity, such as a particular process or network device.

ADI

Short for *Automation/Drive Interface*. Media changer (automation) devices use a private communication link for monitoring and controlling removable medium devices (drives). The standard specifies a protocol for transporting commands, data, and status between automation devices and the drives.

Algorithm

A sequence of steps designed to solve a problem or execute a process.

ATA

Short for *Advanced Technology Attachment*. A standard interface for connecting storage devices to a PC.

Authentication

The validation of a user's identity by requiring the user to provide a registered login name and corresponding password.

Autonegotiation

An Ethernet feature that automatically negotiates the fastest Ethernet speed and duplex setting between a port and a hub or switch. This is the default setting and is recommended.

Autosensing

An Ethernet feature that automatically senses the current Ethernet speed setting.

Barcode

The machine-readable representation of a product code. Barcodes are read by a scanner that passes over the code and registers the product code. The width of black lines and white spaces between varies. Combinations of lines and spaces represent characters. Overland uses 3-of-9 code (Code 39) where each character is represented by 9 bars, 3 of which are wide.

Bridging

Devices that connect and pass packets between two network segments that use different communications protocol.

Bus or Channel

A common physical path composed of wires or other media, across which signals are sent from one part of a computer to another. A channel is a means of transferring data between modules and adapters, or between an adapter and SCSI devices. A channel topology network consists of a single cable trunk that connects one workstation to the next in a daisy-chain configuration. All nodes share the same medium, and only one node can broadcast messages at a time.

CA

Short for *Certificate Authority*. A trusted third-party in a network that issues and manages security credentials.

Cat 5 Cable

Short for *Category 5*, it is network cabling that consists of four twisted pairs of copper wire terminated by 8P8C modular connectors. CAT 5 cabling supports frequencies up to 100 MHz and speeds up to 100 Mbps. It can be used for ATM, token ring, 100BASE-T, and 10BASE-T networking.

Cat 5 is based on the EIA/TIA 568 Commercial Building Telecommunications Wiring Standard developed by the Electronics Industries Association as requested by the Computer Communications Industry Association in 1985.

Cat 6 Cable

Short for *Category 6*, it is network cabling that consists of four twisted pairs of copper wire terminated by 8P8C modular connectors made to higher standards that help reduce noise caused by crosstalk and system noise. The ANSI/TIA-568-B.2-1 specification states the cable may be made with 22 to 24 AWG gauge wire, so long as the cable meets the specified testing standards.

It is designed for Gigabit Ethernet that is backward compatible with the Category 5/5e and Category 3 cable standards. Cat 6 features more stringent specifications for crosstalk and system noise. The cable standard provides performance of up to 250 MHz and is suitable for 10BASE-T, 100BASE-TX, and 1000BASE-T (Gigabit Ethernet).

Channel

A communications path between two computers or devices.

Checksum

The result of adding a group of data items that are used for checking the group. The data items can be either numerals or other character strings treated as numerals during the checksum calculation. The checksum value verifies that communication between two devices is successful.

default gateway

The router used when there is otherwise no known route to a given subnet.

DHCP

Short for *Dynamic Host Configuration Protocol*. A communications protocol that lets network administrators centrally manage and automate the assignment of IP addresses on a computer network. Each system that connects to the internet/intranet needs a unique IP address.

Disaster Recovery

A strategy that allows a company to return to normal activities after a catastrophic interruption. Through failover to a parallel system or by restoration of the failed system, disaster recovery restores the system to its normal operating mode.

DNS

Short for *Domain Name Service*. A network service that translates domain names into IP addresses using a server that maintains a mapping of all host names and IP addresses. Normally, this mapping is maintained by the system administrator, but some servers support dynamic mappings.

Domain

A set of network resources in Windows 2000/2003/2008, such as users and groups of users. A domain may also include multiple servers on the network. To gain access to these network resources, the user logs into the domain.

Domain Name

The ASCII name that identifies the domain for a group of computers within a network.

Ethernet

The most widely installed LAN technology. 100BASE-T Ethernet provides transmission speeds of up to 100 Mbps. Fast Ethernet or 1000BASE-T provides transmission speeds up to 1000 Mbps and is typically used for LAN backbone systems, supporting workstations with 100BASE-T cards. Gigabit Ethernet (GbE) provides an even higher level of backbone support at 1000 Mbps (one Gigabit or one billion bits per second).

Ethernet Address

The unique six-digit hexadecimal (0-9, A-F) number that identifies the Ethernet interface.

Ethernet Port

The port on a network card to provide Ethernet access to the computer.

Event

Any significant occurrence or error in the system that may require notifying a system administrator or adding an entry to a log.

F_Port

A *Fabric* port within a Fibre Channel switch that provides a point-to-point link to a single N_Port. F_Ports are intermediate ports in virtual point-to-point links between end ports. For example, N_Port to F_Port to F_Port to N_Port using a single Fibre Channel fabric switch.

Fabric

A Fabric is a Fibre Channel (FC) that allows an active intelligent interconnection scheme to connect devices. Everything between the ports on an FC is called the Fabric. The Fabric is most often a switch or series of switches that takes the responsibility for routing.

FC-AL

Short for *Fibre Channel Arbitrated Loop*. An FC-AL is a Fibre Channel network in which up to 126 systems and devices are connected in a loop topology, with each transmitter connecting to the receiver of the device on its logical right. The Fibre Channel Arbitrated Loop protocol used for transmission is different from Fibre Channel switched and point-to-point protocols. Multiple FC-AL loops can be connected via a fabric switch to extend the network.

Fibre Channel

Fibre Channel (FC) is a gigabit-speed network technology which transports SCSI commands over Fibre Channel networks. Fibre Channel was primarily concerned with simplifying the connections and increasing distances, but later designers added the goals of connecting SCSI disk storage, providing higher speeds and far greater numbers of connected devices.

Firmware

Software stored in read-only memory (ROM) or programmable ROM (PROM). Firmware is often responsible for the behavior of a system when it is first switched on.

FL_port

A *Fabric Loop* port within a Fibre Channel switch that is capable of Fibre Channel Arbitrated Loop operations and is connected to one or more NL_Ports via a Fibre Channel Arbitrated Loop. An FL_Port becomes a shared entry point for public NL_Port devices to a Fibre Channel fabric. FL_Ports are intermediate ports in virtual point-to-point links between end ports that do not reside on the same loop, for example NL_Port to FL_Port to F_Port to N_Port through a single Fibre Channel fabric switch.

FTP

Short for *File Transfer Protocol*. A standard internet protocol that provides a way to exchange files between computers on the internet.

Full-duplex

A type of transmission that allows communicating systems to both transmit and receive data simultaneously.

Gateway

The hardware or software that bridges the gap between two network subnets. It allows data to be transferred among computers that are on different subnets.

Gigabit Ethernet

Also known as GigE or GbE, this Ethernet standard uses a one Gigahertz (1000 Hz) clock rate to move data.

HBA

Short for *Host Bus Adapter*. An HBA is an I/O adapter that sits between the host computer's bus and the Fibre Channel loop and manages the transfer of information between the two channels. To minimize the impact on host processor performance, the HBA performs many low-level interface functions automatically or with minimal processor involvement.

Half-duplex

A type of transmission that transfers data in one way at a time.

Host Name

The unique name by which a computer is known on a network. It is used to identify the computer in electronic information interchange.

Hot Swapping

The ability to add or remove powered-off tape drives to or from a system without the need to power down or interrupt client access to filesystems. Not all components are hot-swappable. Please read installation and maintenance instructions carefully.

HTTP

Short for *Hypertext Transfer Protocol*. An application protocol for transferring files (text, graphic images, sound, video, and other multimedia files) over TCP/IP on the World Wide Web.

HTTPS

Short for *Hypertext Transfer Protocol Secure*. The HTTP protocol using a Secure Sockets Layer (SSL). SSL provides data encryption, server authentication, message integrity, and client authentication for any TCP/IP connection.

I/E Element

See [Mail Slot](#).

Initiator Device

An initiator normally runs on a host computer. It may be either a software driver or a hardware plug-in card, often called a Host Bus Adapter (HBA). A software initiator uses one of the computer's Ethernet ports for its physical connection, whereas the HBA will have its own dedicated port.

IP

Short for *Internet Protocol*. The unique 32-bit value that identifies the location of the server. This address consists of a network address, optional subnetwork address, and host address. It displays as four addresses ranging from 1 to 255 separated by periods.

Kerberos

A secure method for authenticating a request for a service used by ADS. Kerberos lets a user request an encrypted "ticket" from an authentication process that can then be used to request a service from a server. The user credentials are always encrypted before they are transmitted over the network.

In Windows 2000/XP, the domain controller is the Kerberos server. The Kerberos key distribution center (KDC) and the origin of group policies are applied to the domain.

KMIP

Short for *Key Management Interoperability Protocol*. A client/server communication protocol for storage and maintenance of key, certificate, and secret objects.

LAN

Short for *Local Area Network*. A network connecting computers in a relatively small area such as a building.

LCD

Short for *Liquid Crystal Display*. An electronic device that uses liquid crystal to display messages.

LDAP

Short for *Lightweight Directory Access Protocol*. An open, vendor-neutral, industry standard application protocol for accessing and maintaining distributed directory information services over an Internet Protocol (IP) network.

LED

Short for *Light-Emitting Diode*. An LED is a type of diode that emits light when current passes through it. Visible LEDs are used as indicator lights on electronic devices.

LTO

Short for *Linear Tape-Open*, a technology that was developed jointly by HP, IBM, and Certance (Seagate) as an open standards. It is ideally suited for backup, restore, and archive applications, and provides reliability in both stand-alone and automated environments. The tape cartridges go by the label "Ultrium."

- Ultrium generation 3 (LTO-3) cartridge – up to 800 GB capacity and a transfer rate of 80 MB/s using 2.0:1 compression.
- Ultrium generation 4 (LTO-4) cartridge – up to 1.6 TB capacity and a transfer rate of 120 MB/s using 2.0:1 compression.
- Ultrium generation 5 (LTO-5) cartridge – up to 3.0 TB capacity and a transfer rate of 280 MB/s using 2.0:1 compression.
- Ultrium generation 6 (LTO-6) cartridge – up to 6.25 TB capacity and a transfer rate of 400 MB/s using 2.5:1 compression.
- Ultrium generation 7 (LTO-7) cartridge – up to 15.0 TB capacity and a transfer rate of 750 MB/s using 2.5:1 compression.
- Ultrium generation 8 (LTO-8) cartridge – up to 30.0 TB capacity and a transfer rate of 750 MB/s using 2.5:1 compression.
- Ultrium generation 9 (LTO-9) cartridge – up to 45.0 TB capacity and a transfer rate of 750 MB/s using 2.5:1 compression.

LUN

Short for *Logical Unit Number*. A SCSI or Fibre Channel device identifier. LUN is a subdivision of a SCSI target.

MAC Address

Short for *Media Access Control address*, a hardware address that uniquely identifies each node of a network. In the Open Systems Interconnection (OSI) model, one of two sublayers of the Data Link Control layer concerned with sharing the physical connection to the network among several computers. Each Ethernet port has a unique MAC address.

Mail Slot

A configurable import/export slot or magazine to provide a means of exchanging tape media while the unit is still operating.

MD5 Algorithm

MD5 is a way to verify data integrity, and is much more reliable than checksum and many other commonly used methods.

MIB

Short for *Management Information Base*. A formal description of a set of network objects that can be managed using the Simple Network Management Protocol (SNMP). The format of the MIB is defined as part of SNMP.

N_Port

A *Node* port connects via a point-to-point link to either a single N_Port or a single F_Port. N_Ports handle creation, detection, and flow of message units to and from the connected systems. N_Ports are end ports in virtual point-to-point links through a Fabric. For example, N_Port to F_Port to F_Port to N_Port using a single Fibre Channel fabric switch.

NIC

Short for *Network Interface Card*. A board that provides network communication capabilities to and from a computer.

NL_port

A *Node Loop* port is capable of arbitrated loop functions and protocols. An NL_Port connects via an arbitrated loop to other NL_Port and at most a single FL_Port. NL_Ports handle creation, detection, and flow of message units to and from the connected systems. NL_Ports are end ports in virtual point-to-point links through a fabric, for example NL_Port to F_Port to F_Port to N_Port using a single Fibre Channel fabric switch. In the absence of a fabric switch FL_Port, NL_Ports can communicate with other NL_Ports in virtual point-to-point links through a FC-AL open loop circuit often through FC-AL (Arbitrated Loop) hub or loop switch devices.

NTP

Short for *Network Time Protocol*. A protocol for synchronizing the system clocks of computers over a packet-switched network.

NVRAM

Abbreviation of *Non-Volatile Random Access Memory*, a type of memory that retains its contents when power is turned off.

OCP

The *Operator Control Panel* is the front panel of a NEO XL-Series Base Module. It consists of an LCD display, navigation buttons, operation buttons, LEDs, and USB port.

Port Name

This is an eight-byte hexadecimal number, uniquely identifying a single host [HBA](#) port. It incorporates the World Wide Name and two additional bytes that are used to specify the format and indicate the port number.

Protocol

A standardized set of rules that specifies the format, timing, sequencing, and/or error checking for data transmissions.

PTP

Short for *Point-to-Point*. PTP is the common mode of attachment to a single host. PTP is sometimes used to attach to a Fibre Channel switch for [SAN](#) connectivity.

RMI

The *Remote Management Interface* is a web interface for a NEO XL-Series library that provides access via a browser to all the library configurable features, includes online help, and is easier to use than the OCP.

Router

A router is a device that enables connectivity between Ethernet network segments.

SAN

Short for *Storage Area Network*. Data storage connected to a network that provides network clients access to data using block level protocols. To the clients, the data storage devices appear local rather than remote. An iSCSI SAN is sometimes referred to as an IP-SAN.

SAS

Short for *Serial Attached SCSI*. It is a point-to-point serial protocol that replaces parallel SCSI bus technology (multidrop) and uses the standard SCSI command set. It has no termination issues, supports up to 16,384 devices (using expanders), and eliminates clock skew. It consists of an Initiator that originates device service requests, a Target containing logical units that receives device service requests, and a Service Delivery Subsystem that transmits information between the Initiator and the Target.

SCSI

Short for *Small Computer System Interface*. SCSI is an industry standard for connecting peripheral devices and their controllers to an initiator. Storage devices are daisy-chained together and connected to a host adapter. The host adapter provides a shared bus that attached peripherals use to pass data to and from the host system. Examples of devices attached to the adapter include disk drives, CD-ROM discs, optical disks, and tape drives. In theory, any SCSI device can be plugged into any SCSI controller.

SMB

Short for *Server Message Block*. A protocol for Windows clients. SMB uses the TCP/IP protocol. It is viewed as a complement to the existing internet application protocols such as FTP and HTTP. With SMB, you can access local server files, obtain read-write privileges to local server files, share files with other clients, and restore connections automatically if the network fails.

SMTP

Short for *Simple Mail Transfer Protocol*. A TCP/IP protocol used for sending and receiving email.

SNTP

Short for *Simple Network Time Protocol*. A TCP/IP protocol used for clock synchronization between computer systems over data networks.

SNMP

Short for *Simple Network Management Protocol*. A system to monitor and manage network devices such as computers, routers, bridges, and hubs. SNMP views a network as a collection of cooperating, communicating devices, consisting of managers and agents.

SSH

Short for *Secure Shell*. A service that provides a remote console for special system administration and customer support access to the server. SSH is similar to telnet but more secure, providing strong encryption so that no passwords cross the network in clear text.

SSL

Short for *Secure Sockets Layer*. A protocol for managing the security of a message sent on the internet. It is a type of technology that provides data encryption, server authentication, message integrity, and client authentication for any TCP/IP connection.

Standalone

A network bonding mode which treats each port as a separate interface. This configuration should be used only in multihomed environments in which network storage resources must reside on two separate subnets.

Static IP Address

An IP address defined by the system administrator rather than by an automated system, such as DHCP.

Storage Area Network

See [SAN](#).

Subnet Mask

A portion of a network that shares a common address component. On TCP/IP networks, subnets are all devices with IP addresses that have the same prefix.

Tape Cartridge

A magnetically coated strip of plastic in a plastic housing on which data can be encoded. Storing data on tapes is considerably cheaper than storing data on disks. Tapes also have large storage capacities, extending up to hundreds of gigabytes. They are generally used for long-term storage and backup, or for transporting large amounts of data. Tapes come in a variety of sizes and formats.

Tape Drive

A device, that reads data from and writes it onto a tape.

TCP/IP

Short for *Transmission Control Protocol/Internet Protocol*. The basic protocol used for data transmission over the internet.

Telnet

A terminal emulation program for TCP/IP networks such as the Internet. The Telnet program runs on a computer and connects it to a server on the network. You enter commands through the Telnet program and they will be executed as if you were entering them directly on the server console. This enables you to control the server and communicate with other servers on the network. To start a Telnet session, you must log in to a server by entering a valid user name and password. Telnet is a common way to remotely control Web servers.

Topology

Logical layout of the parts of a computer system or network and their interconnections. There are two types of topology: physical and logical. The physical topology of a network refers to the configuration of cables, computers, and other peripherals. Logical topology is the method used to pass the information between workstations.

Trap

A signal from a device informing an SNMP management program that an event has occurred.

U

A standard unit of measure for designating the height in computer enclosures and rack cabinets. One U equals 1.75 inches. For example, a 3U server chassis is 5.25 inches high.

UDP

Short for *User Datagram Protocol*. A communications protocol for sending messages between computers in a network that uses the Internet Protocol (IP). UDP is an alternative to the Transmission Control Protocol but, unlike TCP, does not guarantee reliability or ordering of data packets.

UPS

Short for *Uninterruptible Power Supply*. A device that allows a computer to keep running for a short time when the primary power source is lost. It also provides protection from power surges. A UPS device contains a battery that starts when the device senses a loss of power from the primary source.

URL

Short for *Uniform Resource Locator*. A Web address.

USB Port

USB is short for *Universal Serial Bus*. A USB port is a hardware interface for low-speed peripherals such as the keyboard, mouse, joystick, scanner, printer, and telephony devices.

Web Management Interface

A Web-based utility used for configuration and ongoing maintenance, such as monitoring server conditions, configuring email alerts for key events, or for SNMP management.

Symbols

> (menu flow indicator) 7

A

abbreviations 196

acronyms 196

alert definitions 6

allow unlabeled media 55, 87

B

Barcode Media ID Restriction 55, 87

Basic Partition Wizard 97

C

cartridge graphical view 121

cartridge inventory list view 72, 123

Configuration

Drives 94

Encryption 100

Initial Configuration Wizard 82

Mailslots 96

Network 88

Network Management 90

Partitions 96

System 83

User Accounts 58, 101

Web Management 103

configuration change events 193

conventions, typographical 6

Create Partition Scheme 99

CSA test conditions 198

customer support 9

D

Date and Time configuration 54, 85

default passwords 41

default settings 199

defaults

drive 201

email 200

encryption 200

KMIP 200

magazines 199

mailslots 199

miscellaneous 200

network access services 199

network configuration 199

OCP display 200

partitions 200

SCSI 200

SMTP 200

SNMP 200

user account 199

Download Drive Logs 62, 113

drive defaults 201

Drives Configuration 94

drives supported 21, 56, 74, 94, 128

E

electrical specifications 198

email defaults 200

enabling and disabling mailslots 96

enabling and disabling partitions 96

encryption 100

encryption defaults 200

environmental specifications 197

event codes 181

events

codes 181

configuration change 193

informational 195

warning 188

Expert Partition Wizard 99

F

Fibre Channel connection problems **168**
firmware upgrades **111**

G

Graphical View, cartridge **121**
Graphical View, partition **125**

I

informational events **195**
Initial Configuration Wizard
 RMI **82**
Initial System Setup wizard **36, 59**

K

KMIP defaults **200**

L

LDAP servers and users **102**
Library Tests **104**
 Element-To-Element Test **106**
 OCP Test **64, 109**
 Position Test **107**
 Slot-to-Slot Test **63, 105**
 System Test **63, 105**
 Wellness Test **64, 108**
library tests **179**
license key handling **87**
List View
 cartridge inventory **72, 123**
 partition map **73, 125**
log into the library **77**
Logs and Traces
 Download Logs and Traces **110**
 View Logs **110**
LTO-9 cartridge initialization **38**

M

magazine manual release **43**
magazines defaults **199**
mailslots **96**
mailslots defaults **199**

manual magazine release **43, 177**
manually accessing tape magazines **43**
media barcode compatibility check **55, 87**
menu flow indicator **7**
miscellaneous defaults **200**

N

network access services defaults **199**
Network Configuration **88**
network configuration defaults **199**
Network Management configuration **90**

O

OCP
 Configuration menu **52**
 Home screen layout **47**
 Initial System Setup wizard **36, 59**
 layout **42**
 LED indicators **49**
 log in **50**
 Logout menu **76**
 Maintenance menu **59**
 Operation menu **66**
 Status menu **69**
OCP display defaults **200**
operational problems
 cleaning **174**
 inventory **173**
 media problems **172**
 OCP errors and alerts **170**
 power **170**
 RMI connection **173**
 tape movement **171**
Operator Control Panel (OCP) **46**
Overland-Tandberg Technical Support **9**

P

partition graphical view **125**
partition map list view **73, 125**
partitions **96**
 Basic Partition Wizard **97**
 Create Partition Scheme **99**
 Expert Partition Wizard **99**
partitions defaults **200**
performance problems

- average file size **174**
- backup server **175**
- backup software **175**
- file storage system **174**
- host-disk connection **175**
- host-library connection **175**
- media **176**
- physical specifications **197**
- primary network port **57, 89**
- product documentation **8**

R

- reboot the library **63**
- regulatory specifications **198**
- Remote Management Interface (RMI) **77**
- reset internal IP range **58, 90**
- RMI
 - Configuration Options **82**
 - default Home page **78**
 - Initial System Setup wizard **36, 59**
 - log in **77**
 - Maintenance Options **104**
 - Operation Options **115**
 - primary library interface **42**
 - Status Options **119**
- RMI timeout setting **88**

S

- SAS detection problems **169**
- SAS supported speeds **26**
- Save/Restore configuration **52, 83**
- SCSI defaults **200**
- secondary network port **58, 90**
- Security Login **199**
- Security user encryption **100**
- SMTP defaults **200**
- SNMP defaults **200**
- software update **9**
- specifications
 - electrical **198**
 - environmental **197**
 - physical **197**
 - regulatory **198**
- System Configuration **83**
- System Reboot **63**

T

- tape magazine
 - manual access **43, 177**
- technical support **9, 65, 115**
- troubleshooting **168**
- typographical conventions **6**

U

- unlabeled media (allow/disallow) **87**
- unlocking magazines **176**
- user account defaults **199**
- user accounts **58, 101**
- user levels **41**

V

- View Logs **61, 110**
- viewing element information **72, 73, 121, 123, 125**

W

- warning events **188**
- Web Management Configuration **103**