

NEOxl 80 6U Expansion Module Quick Start Guide



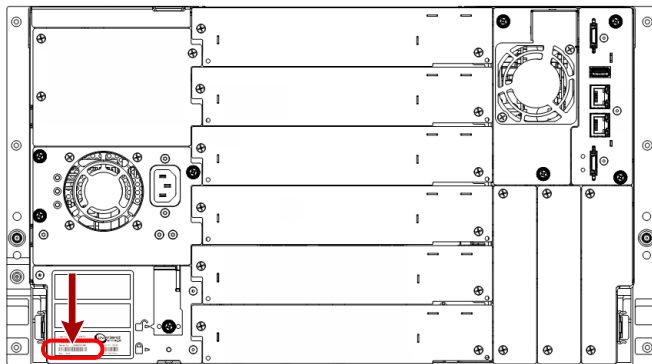
10400898

This document describes how to add an optional Expansion Module to a NEOxl 80 6U tape library system.

Step 1

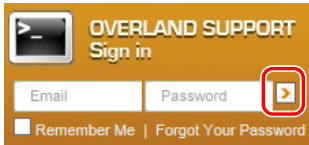
It is **essential** that you activate your warranty. Technical and warranty support are **not available** until the warranty is active.

The serial number is located at the rear of the module on the bottom left cover.



Module Registration

For an **existing customer**:

1. Go to <http://support.overlandstorage.com/> support page.
2. Enter your **e-mail address** and **password** in the appropriate fields, and then press **Enter** or click the right arrow (>).

3. At the Support Home page, click **Register New**.
4. Enter the requested information and click **Submit**.
Your warranty certificate will be emailed to you. Follow the instructions in the email to complete the process.

For a **new customer**:

1. Go to the **New User Registration** page and follow the instructions.
2. You'll receive a confirmation e-mail from Overland with instructions on how to complete the process.

Step 2



WARNING: Due to the weight of the module, it is recommended that at least two people be used to lift the module out of the box to prevent injury.

WARNUNG: Um Verletzungen zu vermeiden, empfehlen wir aufgrund des Gewichts des Moduls, dass mindestens zwei Personen das Modul aus der Verpackung heben.

AVERTISSEMENT: En raison du poids du module, il est recommandé d'utiliser deux personnes au moins pour soulever l' module hors de la boîte pour éviter les blessures.

NOTE: If the temperature in the room where the module will be installed varies by 15° C (30° F) from the room where the boxed module was stored, allow it to acclimate to the surrounding environment for at least 12 hours before unpacking it.

Unpack the Module

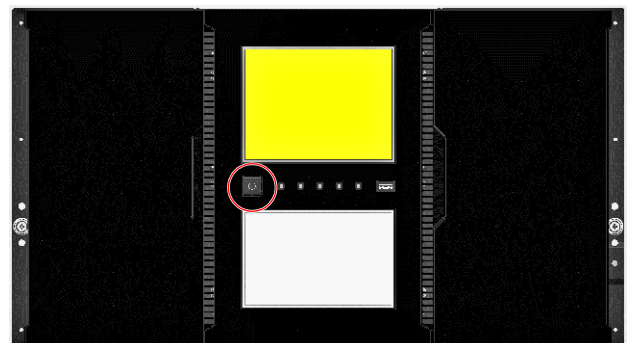
1. Using two people, remove the **module** from its box and set it on a secure surface.
2. Remove and save the **packaging materials and tape** from the Expansion Module.

Tools Needed

You will need a small flat head or Torx screwdriver and a #2 Phillips screwdriver.

Step 3

Power Off Library



If still running, power off the tape library from the Base Module front panel by pressing and holding down the power button for three (3) seconds.

NOTE: If the library does not perform a soft shutdown, press and hold the power button for 10 seconds.

Verify that the Robotic Assembly is in its parked position and that all host processes are idle.

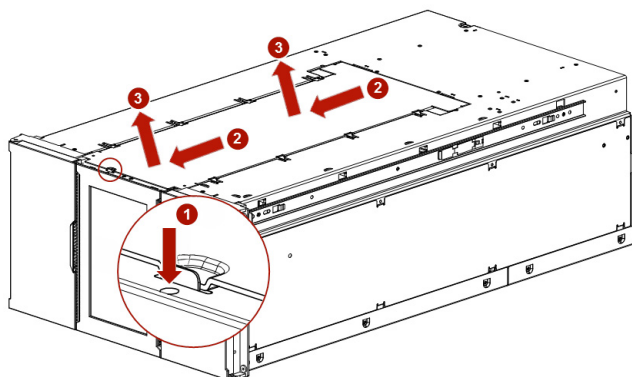
Prepare the Modules

Depending on the new Expansion Module's location, transfer either the top or bottom **module cover** from the last module in that location to the new Expansion Module.

- If you are installing the Expansion Module **below** the module stack, move the bottom module's cover to the Expansion Module.
- If you are installing the Expansion Module **above** the module stack, move the top module's cover to the Expansion Module.

IMPORTANT: A NEOxl tape library modular system can support up to six Expansion Modules, three above and three below. If you have not yet determined the architecture of your configuration, refer to Chapter 1, "Supported Configurations," in the *NEOxl 80 Tape Library Administrator's Guide* for details.

1. Using the mechanical lifter, remove the **existing module** from which you are moving the cover plate.
2. Place the **module** you removed on a secure work table. If you are removing the bottom cover, gently **turn the module over** so you can access the bottom.
3. Place the new **Expansion Module** on the work table next to the module you removed. If you are adding the bottom cover, gently **turn the module over** so you can access the bottom.



4. Insert a small flathead screwdriver or Torx screwdriver into the front hole (1) to retract the **spring lock**, slide the **cover** (2) forward until it reaches the tool, remove the tool, and then continue sliding the cover to the front of the module until all the tabs are released.
5. Remove the **cover** (3) from the existing module.
6. At the Expansion Module, install the **cover**. Align all cover tabs with the slots, gently push it down, and then slide the cover towards the rear until the spring lock engages.
7. If the **modules** are upside down, gently turn them both back over.
8. Using the mechanical lifter, reinstall the **existing module** back into the rack in its same location.

Step 4

WARNING: To reduce the risk of electric shock or damage to equipment, always remove any power cords while working with the unit.

WARNUNG: Um das Risiko eines elektrischen Schlags oder Schäden am Gerät zu vermeiden, ziehen Sie stets den Netzstecker, bevor Sie an der Einheit arbeiten.

AVERTISSEMENT: Pour réduire le risque de choc électrique ou endommagement de l'équipement, retirez toujours les cordons électriques en travaillant avec l'appareil.

The NEOxl 80 6U tape libraries are expandable and accept add-on components to enhance performance:

- The Expansion Module comes without tape drives. Tape drives are always installed in the module from the bottom bay up.
- A second Power Supply Unit can be added to Expansion Module for redundancy.

IMPORTANT: Follow the component instructions included with each item to be sure they are installed correctly.

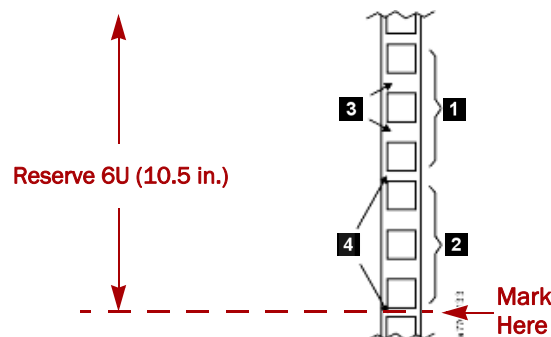
Step 5

A NEOxl 80 6U Expansion Module comes with a rack kit for easy installation and securing of the module into a 19-inch (EIA-310) rack.

IMPORTANT: Two-post telco-style or other racks less than 29 inches in depth will NOT support these modules.

Install the Rack Rails

1. Determine the location in your rack for your Expansion Module to be installed and, using a pencil, mark the **location** on each vertical rail in your rack.

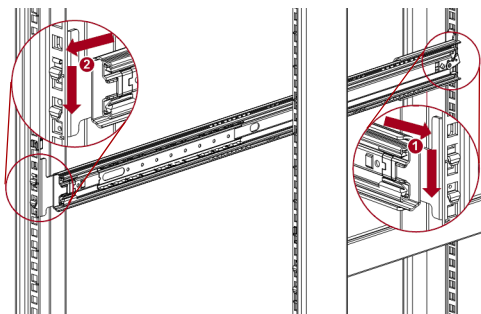


- 1 Each EIA unit (1U) starts at a narrow gap and has three holes and two wide gaps above it
- 2
- 3 Wide Gaps within the EIA unit
- 4 Narrow Gaps between EIA units

It is recommended to start at the lowest position of the rack for stability. The bottom mark should be at the lowest narrow gap in that position.

NOTE: The library requires 6U (10.5 in.) of rack space.

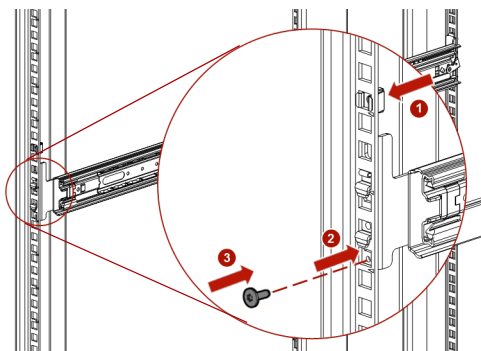
2. From the front of the rack, insert the **rack rails** into the back and then front vertical supports.
 - a. Position a rail according to the **orientation information** stamped on the rail.



- b. Rotate the front of the rail up while inserting the **rear rail hanger** into the rear vertical support, and then lower the front of the rail until it is nearly level.
 - c. Extend the front of the rail until the **hangers** come through the holes in the vertical support and the retention spring snaps into place.
 - d. Repeat **Steps a–c** the **other rail**.

NOTE: The rails must be fastened with the bottom of the each rail parallel to floor and at the same level.

3. On the front of both rails in a square-hole lock, install a **clip nut** above the mounting bracket as shown (1).



4. For increased stability, install the supplied **retention inserts** (3).

Insert the Module in the Rack

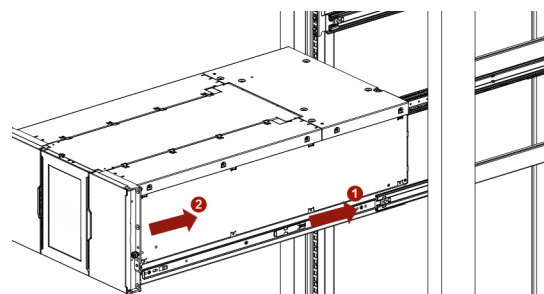


WARNING: To avoid injury, it is recommended that a mechanical lifter (or at least two people) be used for rack installation or removal. Use care during rack installation or removal to avoid accidentally tilting or tipping the rack, causing damage or personal injury.

WARNING: Um Verletzungen zu vermeiden, empfehlen wir zur Rack-Installation oder -Deinstallation die Nutzung einer mechanischen Hebehilfe (oder mindestens zwei Personen). Seien Sie vorsichtig bei der Rack-Installation oder -Entnahme, um ein versehentliches Kippen des Racks zu vermeiden und das Rack nicht zu beschädigen bzw. sich selbst zu verletzen.

AVERTISSEMENT: Afin d'éviter des blessures pendant l'installation, il est recommandé d'utiliser un monte-charge (ou au moins deux personnes) pour élever ou aligner l'module. Faites attention lorsque vous insérez ou retirez l'module d'un support, pour empêcher le déversement accidentel de la crémaillère causant des dommages et des blessures.

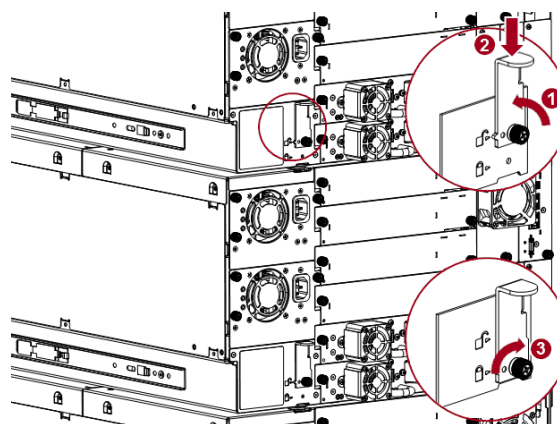
1. Extend the **middle rails** until they lock into place.
2. Move the **sliding assembly** to the front of the middle rails.
3. Using the mechanical lifter, position the **Expansion Module** in front of the rack, aligned with the extended rails.
4. Slide the module onto the **middle rails** (1) and into the rack until it stops (2).
5. Secure it to the rack with the **captive screws** on the front of the module.



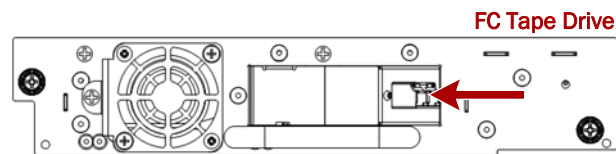
Aligning and Connecting Modules

Aligning the modules ensures that the robotics can move freely between the modules. The library will not operate unless the alignment mechanisms are in the locked position.

1. From the front of the library, loosen the **thumbscrews** on each of the modules two full turns.
2. From the back of the library, starting with the bottom pair of modules, **align each module** with the module below. Repeat for each pair of modules.



- a. Loosen the **thumbscrew** (1) on the module alignment mechanism.
 - b. Lower the **alignment mechanism** (2).
If you encounter resistance, adjust the position of the upper module so the pin in the alignment mechanism moves into the hole in the lower module.
 - c. With the alignment mechanism in the **locked position**, tighten the thumbscrew (3).
3. Verify that the lowest module in the library has its alignment mechanism secured in the **unlocked** position with the thumbscrew.
 4. From the front of the library, use your fingers to tighten the **thumbscrews** on each of the modules to secure the modules to the rack.

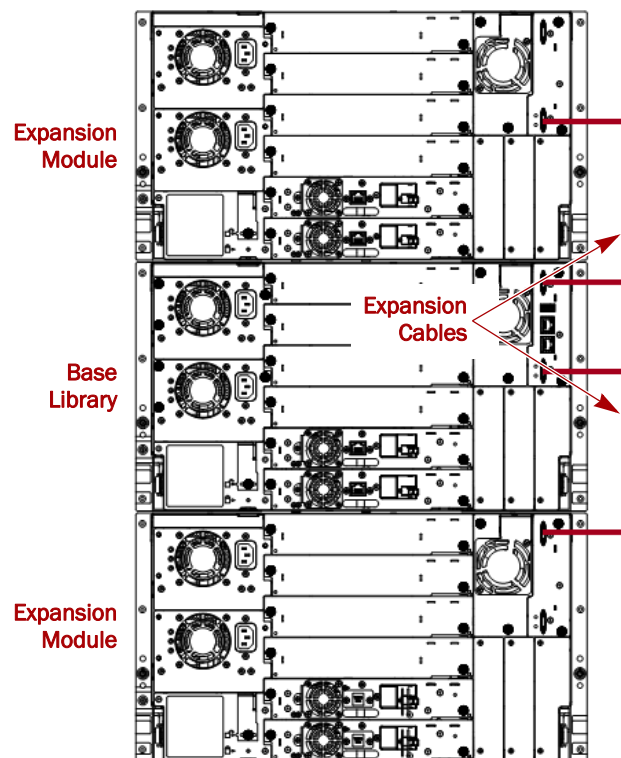


2. Attach the **other end** of the host interface cable as follows:
 - For a SAS expansion, connect the **host interface cable** to the host HBA.
 - For a Fibre Channel expansion, connect the **fibre cable** to the host or switch.

Expansion Cable Attachment

From the back of the library connect the new Expansion Module to the existing adjacent module using the expansion interconnect cable.

- For a new module at the **top** of the library stack, use the **lower port** of the new Expansion Module and connect to the **upper port** of the adjacent module.
- For a new module at the **bottom** of the library stack, use the **upper port** of the new Expansion Module and connect to the **lower port** of the adjacent module.



Power Cord Attachment

Plug the **power cords** into the power connectors on the new Expansion Module and into power outlets.

NOTE: The expansion has dual redundant power supplies. To increase redundancy, plug each power cord into a different AC power circuit.

Step 6

WARNING: To reduce the risk of electric shock or damage to equipment, always remove any power cords while working with the unit.

WARNUNG: Um das Risiko eines elektrischen Schlags oder Schäden am Gerät zu vermeiden, ziehen Sie stets den Netzstecker, bevor Sie an der Einheit arbeiten.

AVERTISSEMENT: Pour réduire le risque de choc électrique ou endommagement de l'équipement, retirez toujours les cordons électriques en travaillant avec l'appareil.

The Expansion Module comes without tape drives. Tape drives are always installed in the module from the bottom bay up.

IMPORTANT: Follow the component instructions included with the drives to be sure they are installed correctly.

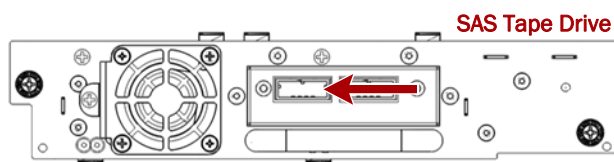
Step 7

All cabling, power connections, and cooling are located on the rear panel.

Drive Cable Attachment

If tape drives are installed in the Expansion Module:

1. Attach one end of the **host interface cable** to the expansion:
 - For a Serial Attached SCSI (SAS) connected expansion, attach one end of the **SAS cable** to Port A (left) SAS HBA on the SAS drive.



- For a Fibre Channel (FC) expansion, attach one end of the **fibre cable** to Port A (top) connector on the FC drive, removing the cap if necessary.

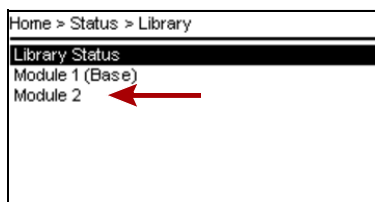
Step 8

Power on the library from the Base Module front panel by pressing and holding down the power button for three (3) seconds until the green light on the front panel illuminates indicating the status is **Ready**.

Verifying the Installation and Configuration

Check the following:

- From the OCP or RMI, verify that the new Expansion Module is visible.



- Check the library configuration settings related to the additional storage slots, mailslots, and tape drives. Update if necessary.

Step 9

Confirm Your Library Firmware Version

The Expansion Module operates using the existing library firmware. It is recommended that you always update the library to the latest firmware version:

- At the **Startup Screen**, make a note of the firmware version.
- Go to the Overland-Tandberg **Downloads and Resources** site:
<http://docs.overlandstorage.com/neo>
- Under Downloads/NEO Series Firmware, click the **link** for the library.
- At the FTP site, if newer firmware is shown, download the **firmware** and **Release Notes**.
- Update the firmware using the *NEOxl 80 Tape Library Administrator's Guide*.

Confirm Your Tape Drive Firmware

Refer to the installation instructions and warnings that are packaged with your tape drive to determine if the firmware is current or needs to be updated.

If you determine that the firmware should be updated, follow the steps detailed in the included tape drive instructions.

Step 10

For further information regarding your product, check out the following links.

User Guide

For detailed information on configuring your NEOxl 80 6U, refer to the *NEOxl 80 Tape Library Administrator's Guide* **available online** under Resources at:

<http://docs.overlandstorage.com/neo>

More information can be accessed from the Overland-Tandberg Knowledge Base:

<https://www.overlandtandberg.com/knowledgebase/>

Warranty/Technical Support

For warranty and general technical support information, see our **Contact Us** page:

<http://www.overlandstorage.com/company/contact-us/index.aspx>



For information on contacting Overland-Tandberg technical support, go to:

<http://docs.overlandstorage.com/support>