

Add-on/Spare Drive Power Board Instructions

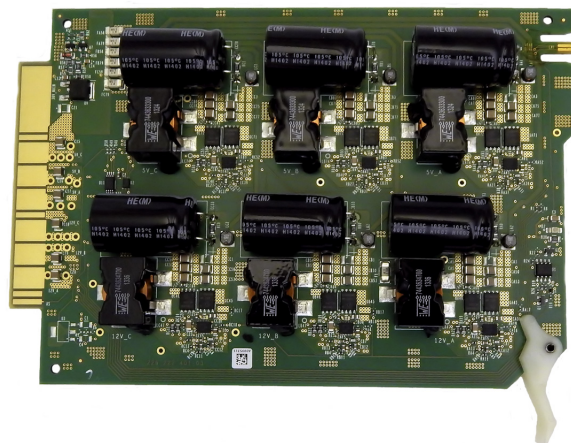
This document describes how to remove and replace a drive power board in a NEO XL-Series library from Overland Storage.

WARNING: To reduce the risk of electric shock or damage to equipment, always remove any power cords while working with the unit.

WARNUNG: Um das Risiko eines elektrischen Schlags oder Schäden am Gerät zu vermeiden, ziehen Sie stets den Netzstecker, bevor Sie an der Einheit arbeiten.

AVERTISSEMENT: Pour réduire le risque de choc électrique ou endommagement de l'équipement, retirez toujours les cordons électriques en travaillant avec l'appareil.

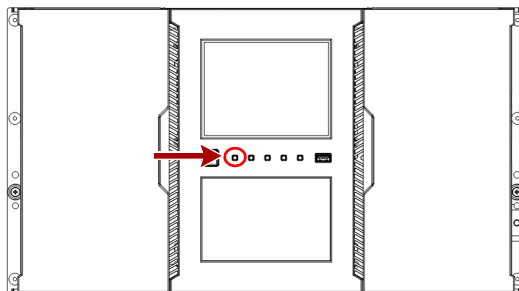
CAUTION: While working with the unit, observe standard Electrostatic Discharge (ESD) precautions to prevent damage to micro-circuitry or static-sensitive devices.



Install/Replace a Drive Power Board

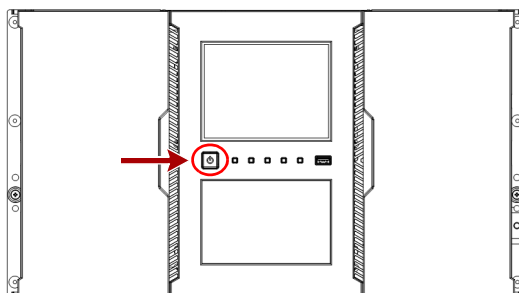
Identify the Failed Drive Power Board

1. See the OCP or RMI Home screen to identify the **failed drive power board**.
2. Activate the UID LEDs from the **Maintenance > UID LED Control** screen to light the **blue UID LED** to locate the library in the data center.



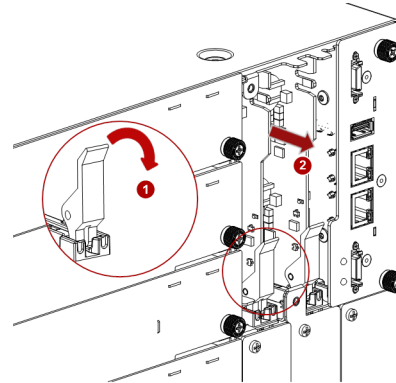
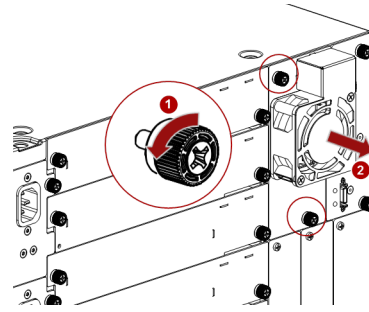
Power Off the Library

1. Power off the library from the front panel by depressing the **power button** and holding it for 3 seconds.
If the library does not perform a soft shutdown, depress and hold the power button for 10 seconds.
2. Verify that the **robotic assembly** is in its parked position.
Look inside the base module window to verify that the robotic assembly is behind the OCP.
3. Verify that all host processes are **idle**.



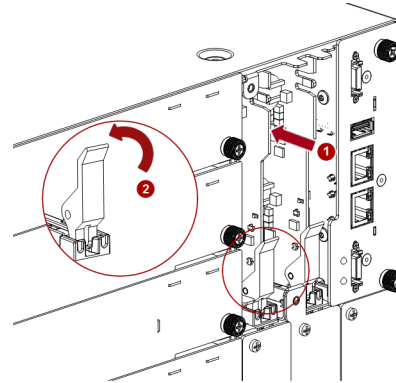
Remove the Chassis Fan Assembly and Drive Power Boards

1. Loosen the **two blue captive thumbscrews** on the chassis fan assembly.
2. Using the thumbscrews, slowly **remove the chassis fan assembly** from the library.
3. Slowly slide the **drive power board** out of the library.
Set old power board aside for return to Overland.



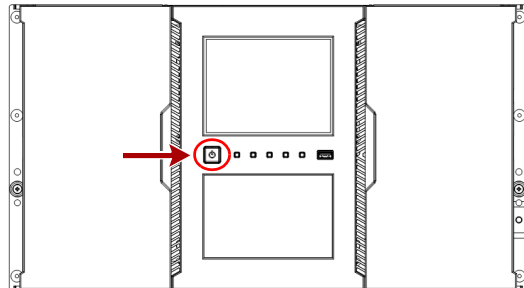
Install the New Drive Power Board

1. Position the **new drive power board** onto the alignment rails.
2. Slide the **drive power board** into the library until seated firmly.
3. Push the **latch** up until it snaps into place.
When the drive power board is installed correctly, the latch will not be loose.
4. Align the **tabs** on the library with the slots at the top of the chassis fan assembly.
5. Push in the **chassis fan assembly** until it is flush with the back panel of the library.
6. Finger-tighten the **blue captive thumbscrews** to secure it to the library.
7. Reconnect the **power cords**.



Power On the Library

1. Press the **power button** on the base module for one to two seconds.
The **green LED** is shown as the library completes its Power-on Self-test (POST).



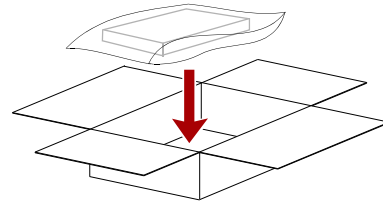
Verify the Drive Power Board Installation

1. Verify that **all drives** that are present are powered on.
2. From the back of the library, verify that the **green LED** on each drive is illuminated.
3. Check the OCP or RMI **event log** to make sure any drive power board events have cleared.



Return Old Parts to Overland

1. Place the **old part** in the anti-static bag and put it in the replacement part's box.
2. Use the existing **packing material** to secure it in the box.
3. Use an RMA to return the part to **Overland Storage**.
For return shipping details and RMA number, go to: <http://docs.overlandstorage.com/return-instructions>.



<http://support.overlandstorage.com>

You can get additional technical support on the Internet at the **Overland Storage Support web page**, or by contacting Overland Storage using the information found on the **Contact Us** page on our web site.