

Add-on/Spare Power Supply Instructions

This document describes how to remove and replace a power supply in a NEO S-Series library from Overland Storage.

The NEO S-Series library by default comes with a single power supply. The majority of images in this document show two power supplies installed, although the second power supply is optional. A second power supply is recommended since two power supplies serve as a parallel redundancy. If one fails, the other one is still active, so the library or expansion module does not go offline.



WARNING: To reduce the risk of electric shock or damage to equipment, always remove any power cords while working with the unit.

WARNUNG: Um das Risiko eines elektrischen Schlags oder Schäden am Gerät zu vermeiden, ziehen Sie stets den Netzstecker, bevor Sie an der Einheit arbeiten.

AVERTISSEMENT: Pour réduire le risque de choc électrique ou endommagement de l'équipement, retirez toujours les cordons électriques en travaillant avec l'appareil.

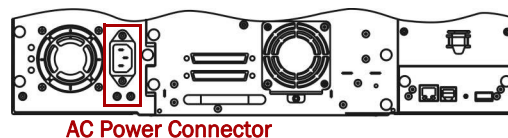
CAUTION: While working with the unit, observe standard Electrostatic Discharge (ESD) precautions to prevent damage to micro-circuitry or static-sensitive devices.

Install/Replace Power Supply

Locate and Disconnect the Old Power Supply

To add a new power supply to a library instead of replacing one, skip to [Remove the Cover Plate](#).

1. Locate the **failed power supply** on the rear of the library.
2. Unplug the **AC power supply cord** from the unit being serviced.

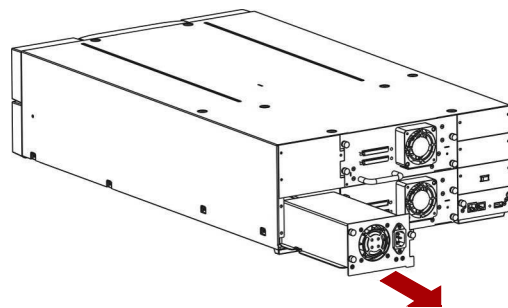


Remove the Power Supply

NOTE: If you are installing a new power supply, proceed to [Remove the Cover Plate](#).

1. Finger-loosen the **three blue captive thumbscrews** on the power supply.
2. Using the thumbscrews, slowly pull the **power supply** approximately 4 inches (10 cm) out of the library.
3. While using one hand to support the bottom of the power supply, use the other hand to completely **remove the power supply** from the module.

Skip to [Install the New Power Supply](#).



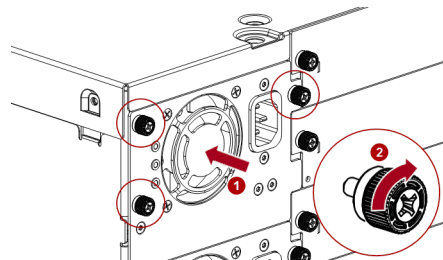
Remove the Cover Plate

1. Using a Phillips screwdriver, **remove** the three screws securing the **power supply cover plate**.
2. Set the **cover plate** on a secure surface.



Install the New Power Supply

1. Position the **new power supply** onto the alignment rails.
2. Slide the **power supply** into the library until it is flush with the back panel of the library.
3. Finger-tighten the **blue captive thumbscrews** to secure the power supply to the library.
4. Attach the **AC power cord** to the new power supply.
5. Press the **power button** and turn on the new power supply.

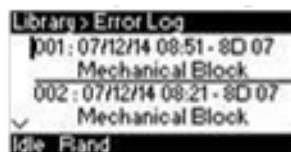


Verify the Power Supply Installation and Operation

1. Using the OCP or RMI, confirm that the power supply is operating **correctly**.

The event that indicated the power supply was faulty should be cleared.

OCP



Return Old Parts to Overland

1. Place the **old part** in the anti-static bag and put it in the replacement part's box.
2. Use the existing **packing material** to secure it in the box.
3. Use an RMA to return the part to **Overland Storage**.

For return shipping details and RMA number, go to: <http://docs.overlandstorage.com/return-instructions>.

