

# Replacement Chassis Instructions

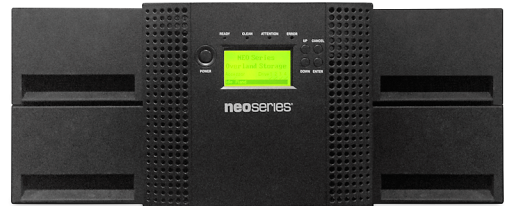
This document describes how to remove and replace a chassis in a NEO S-Series tape library from Overland-Tandberg.

**WARNING:** To reduce the risk of electric shock or damage to equipment, always remove any power cords while working with the library.

**WARNUNG:** Um das Risiko eines elektrischen Schlags oder Schäden am Gerät zu vermeiden, ziehen Sie stets den Netzstecker, bevor Sie an der Einheit arbeiten.

**AVERTISSEMENT:** Pour réduire le risque de choc électrique ou endommagement de l'équipement, retirez toujours les cordons électriques en travaillant avec l'appareil.

**CAUTION:** While working with the library, observe standard Electrostatic Discharge (ESD) precautions to prevent damage to micro-circuitry or static-sensitive devices.



## Prepare the Unit

**CAUTION:** In the NEOs library, do not replace the library controller and the chassis at the same time as the serial numbers for both cannot be updated when they are replaced simultaneously. If you receive a new library controller card and a new chassis for the same unit, first install the new library controller in the old chassis as directed in the Spare Library Controller Replacement Instructions, then follow these instructions to replace the chassis.

The following items are included in the new chassis and should not be removed from the old chassis:

- Center bezel with OCP
- Robotic assembly
- Spooling mechanism

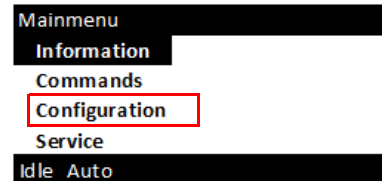
## Save the Configuration

Before you start, save the current library configuration.

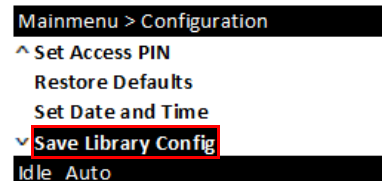
**NOTE:** Using the RMI to restore the configuration is the faster recommended process.

1. If using the OCP to save the configuration file, insert a **USB drive** into one of the USB ports on the Replacement Chassis.
2. Navigate to the **Save Configuration** screen.
  - If using the RMI, go to **Configuration > Restore Defaults > Save / Restore Config to file**.
  - If using the OCP, go to **Configuration > Save / Restore Library Config > Save to/Restore from USB**.
3. Select the **destination** location for the download:
  - The RMI downloads the configuration file to the browser or system running the RMI.
  - The OCP downloads the configuration file to the USB drive inserted into the USB port.
4. Click **Save**.

### OCP Screen



### OCP Screen



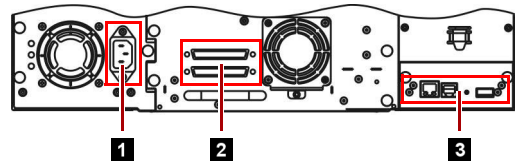
### Power Off the Old Unit

1. Verify that all host processes are **idle**.
2. Verify that any assemblies are in the **parked** position.
3. Power off the library from the front panel by depressing the **power button** and holding it for 3 seconds.



### Disconnect Cables and Cords

1. Unplug the **AC power cords** (1).
2. Remove the **tape drive cables** (2).
3. If present, remove the **Ethernet cable, serial cable, and any USB device** (3).



### Remove the Magazines Manually

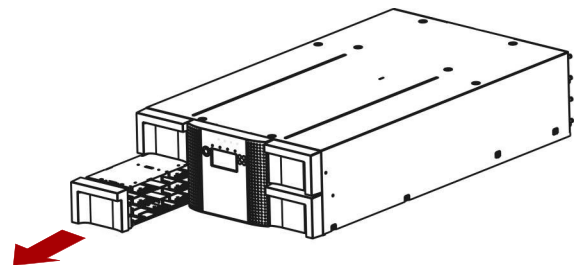
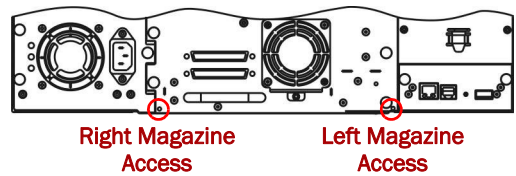
**IMPORTANT:** Overland-Tandberg recommends that you remove the magazines to reduce the unit’s weight prior to removal from the rack.

To remove the magazines manually, use the holes located on the rear panel next to the magazines to release them.

**NOTE:** This procedure requires two people.

1. At the rear, push a **small metal pin** or a **straightened paper clip** into the magazine access hole.
 

**NOTE:** For the 4U, both magazines on one side are released together and should be removed at the same time.
2. While one person holds the **pin** or **paper clip** in the hole, the second person supporting the bottom gently pulls the **magazine** out of the unit.  
Set the magazine on a secure surface.
3. Repeat **Steps 1–2** for the **other** magazines.



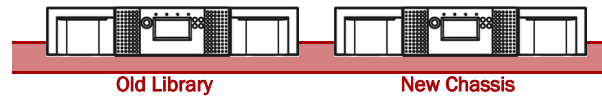
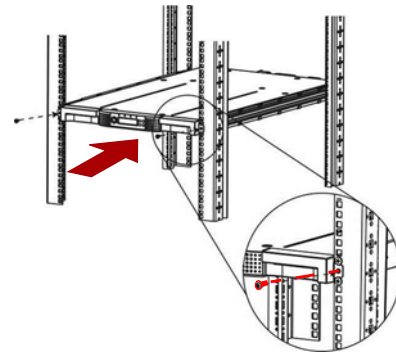
## Remove Unit from Rack

**WARNING:** It is recommended that a mechanical lifter (or at least two people) be used during rack installation or removal to prevent injury.

**WARNUNG:** Um Verletzungen zu vermeiden, empfehlen wir zur Rack-Installation oder -Deinstallation die Nutzung einer mechanischen Hebehilfe (oder mindestens zwei Personen).

**AVERTISSEMENT:** Pour éviter toute blessure il est recommandé qu'un monte-charge (ou deux personnes au moins) soit utilisé lors de l'installation ou de l'enlèvement du support.

1. Remove and retain the **screws** on the library flanges that secure the library to the rack.
2. With a lifter positioned in front of the library, release the rail locks and slide the **library** out onto the lifter.
3. Place the library on an **ESD-safe** surface side-by-side with the new chassis.



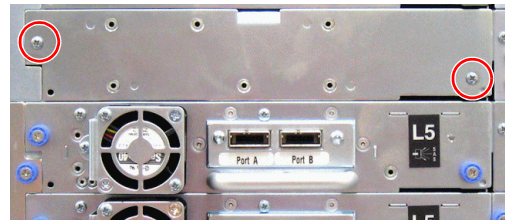
## Move Components from Old Library to New

### Move the Tape Drives

If the old T24/T48 library contains more than one tape drive, then the cover plates must be removed from the new chassis. Drives must be installed in the same bays.

**CAUTION:** Support the bottom of the tape drive when moving it to avoid damaging any of the internal connections.

1. At the new library, remove and retain the **two Phillips screws** securing the cover plate, and set the cover aside. Repeat for all the covers that need to be removed.
2. At the old library, loosen the **two blue thumbscrews** on the drive.
3. While supporting the **bottom**, remove the drive by pulling straight back using the tape drive **handle**.
4. At the appropriate bay of the new library, position the **drive** on the alignment rails and slowly slide it into the library until it is flush with the **rear panel**.
5. Finger-tighten the two **thumbscrews** to secure it.
6. Repeat steps [Steps 2–5](#) for any other tape drives.

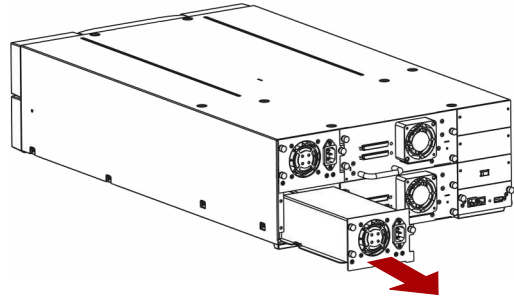


## Move Redundant Power Supply

If a redundant power supply is installed in the T48 4U library, it needs to be moved to the new library.

**CAUTION:** Support the bottom of the power supply when moving it to avoid damaging any of the internal connections.

1. At the new library, remove and retain the **three Phillips screws** securing the cover plate, and set the cover aside.
2. At the old library, loosen the **three blue thumbscrews**.
3. Using the thumbscrews and using one hand to support the **bottom**, slowly remove the **power supply**.
4. At the new library, position the **power supply** on the alignment rails and slowly slide it into the library until it is flush with the **rear panel**.
5. Finger-tighten the **three blue thumbscrews** to secure it.



## Remove New Library Shipping Lock

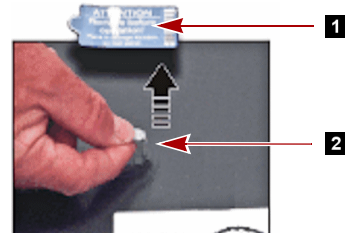
**IMPORTANT:** The shipping lock, which prevents the library accessor from moving during shipment, **must be removed** before the library is powered ON. Refer to the Quick Start Guide packed with the library for full details.

**NOTE:** If the temperature where the library will be installed varies by 15° C (30° F) or more from the room where the library was stored, allow the library to acclimate to the surrounding environment for at least 12 hours before unpacking.

The shipping lock is under a label on the library top center.

1. Using two people, remove the **library** from its box and set it on a secure surface.
2. Remove lock securing **label (1)**.
3. Lift and remove the **shipping lock (2)**.
4. Store the **lock and label** on the library rear panel.

Top View



## Insert Old Library Shipping Lock

Move the shipping lock into place on the old library for return.

1. Remove the **label (3)** at the rear panel of the library that is holding the shipping lock in place.
2. Remove the **lock** from the rear and insert it into the slot located at the top center of the library (**2**).
3. Press the **label (1)** over the lock.

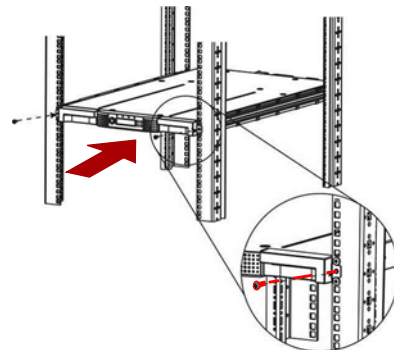
Rear View



## Reinstall the Library

### Insert the New Library in Rack

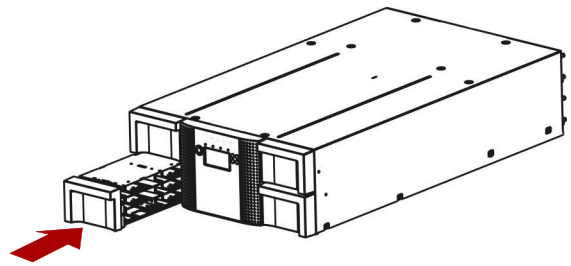
1. Using the mechanical lifter, position the **library** in front of the rack, aligned with and slightly above the shelf flanges.
2. Slide the library onto the **shelves** until the mounting brackets are up against the vertical rack rails.
3. Secure the library to the rack using the **retained screws** on the library flanges.
4. After the library is secured in the rack, verify all **tape drives** are secure in their bays and have not become unseated.



## Insert the Magazines

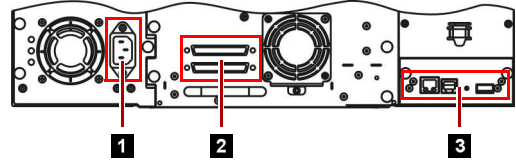
Insert the magazines back into their same bays.

1. Supporting the magazine bottom, position the **magazine** on the alignment rails.
2. Slowly slide it into the library until the **lock latches**.
3. Repeat [Steps 1–2](#) for all the remaining **magazines**.



## Reconnect Cables and Cords

1. If used, reattach the **Ethernet cable**, **serial cable**, and any **USB device** (3).
2. Reconnect the **tape drive cables** (2).
3. Reattach the **power cords** (1).



## Power On the Library

Press the **power button** on the library for one to two seconds.

The **green LED** is shown when the library completes its Power-On Self-Test (POST).



## Complete the Procedure

### Verify the Installation and Firmware

1. From the RMI or OCP, use the **Status** option to verify that the new module is visible.
2. Check the **event log** to make sure any library controller events have cleared.



**IMPORTANT:** If you are asked whether or not to retain the serial number, always select **Yes**.

3. Use the RMI or OCP to verify that the library controller has the **current firmware**.
  - If the firmware is current, go to [Restore the Configuration File](#).
  - If the firmware needs to be updated, continue with [Update the System Firmware](#).

#### OCP Screen

Library > Status	
Status:	OK
Act. Cart:	None
On Time:	42h 47min
Slot Empty:	19:21
Idle	Rand

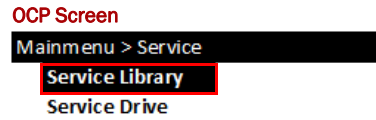
#### OCP Screen

Startup	
Firmware Rev:	0.60
Drives:	2
Magazines:	2
Mailslot:	
Busy	Rand

## Update the System Firmware

**NOTE:** Using the RMI is the recommended (faster) process.

1. Download the **latest firmware** from:  
[https://ftp.overlandtandberg.com/Firmware/Neo\\_Series/NeoS/](https://ftp.overlandtandberg.com/Firmware/Neo_Series/NeoS/)
2. If using the OCP to update the firmware, load the firmware file on a **USB stick** and plug it into the port on the rear panel.
3. Use the RMI or OCP to upload the **firmware upgrade**.
  - If using the RMI, select **Service > Firmware > Upgrade Library Firmware > Upgrade**.
  - If using the OCP, select **Main Menu > Service > Service Library > FW Upgrade by USB**.
4. Click **Browse** to select the firmware file.
5. Click **Upload**.
6. Once the update is complete, **verify** the firmware version.



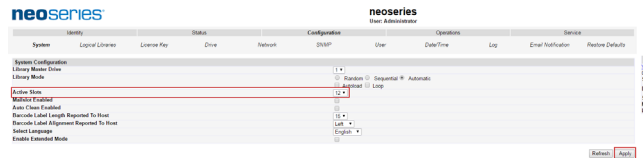
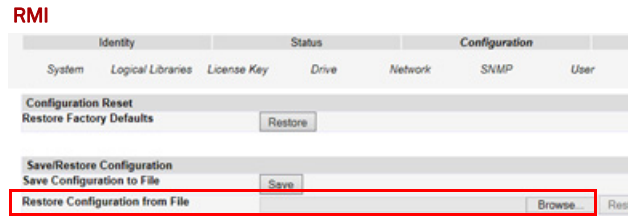
## Restore the Configuration File

To complete installation of the new library, restore the library configuration file:

1. From the RMI, select **Configuration > System > Save/Restore Configuration**.
2. Select **Restore Configuration File**.
3. **Browse** and **select** the configuration file.
4. Click **Upload File & Restore**.



**IMPORTANT:** You must select the number of slots to match your backup software license. For example, if your backup software licensing configuration requires 12 slots, select **Configuration > System > Active Slots**, choose a value of **12**, and click **Apply**.



## Return Old Parts to Overland-Tandberg

For warranty replacements:

1. Verify the **shipping lock** is inserted.
2. Place the **old chassis** in the anti-static bag and put it in the replacement part's box.
3. Use the existing **packing material** to secure it in the box.
4. Use an **RMA** to return the chassis to Overland-Tandberg.

For return shipping details and RMA number, go to:  
<https://www.overlandtandberg.com/service-support/customer-self-service-portal/>

